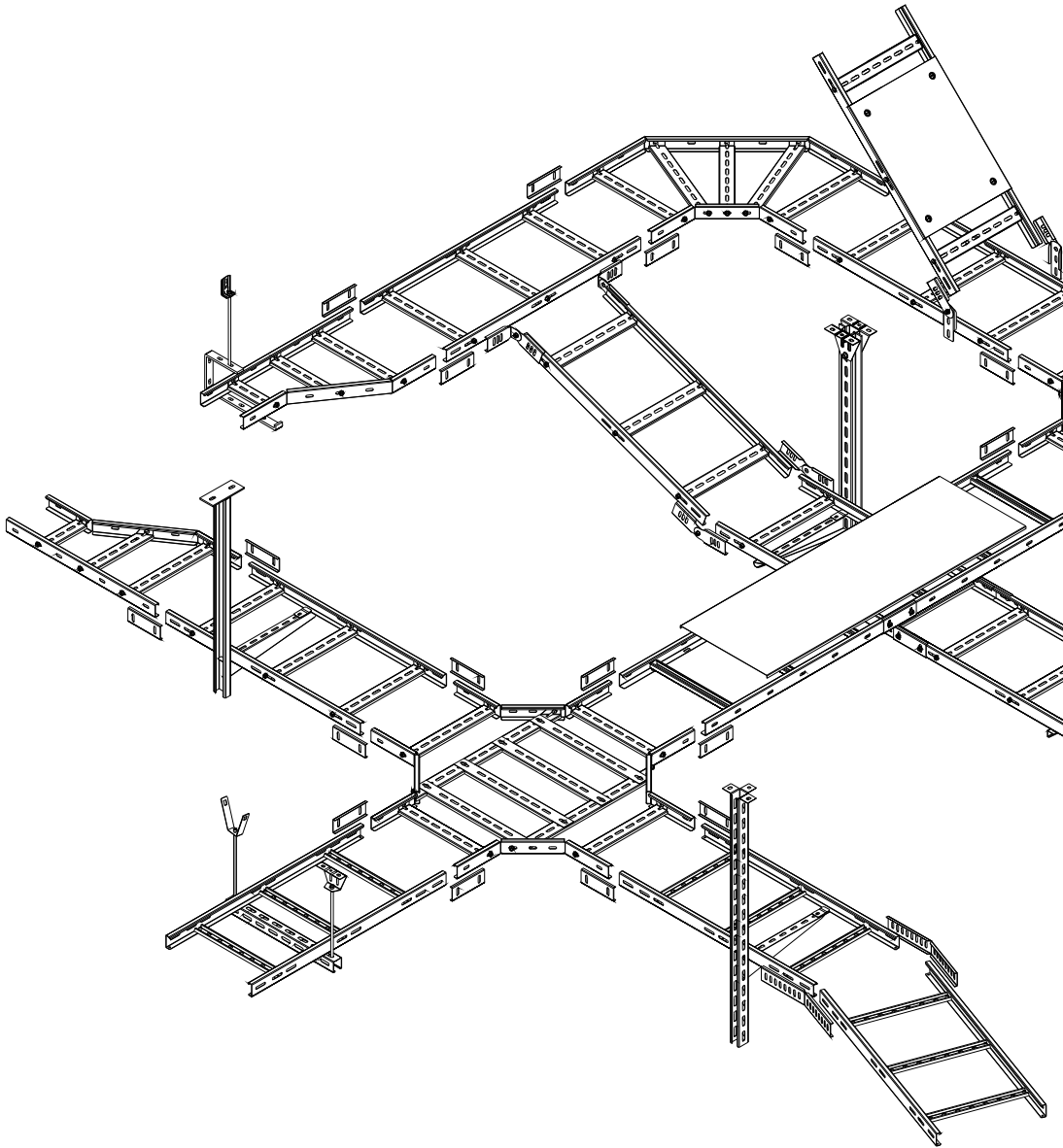
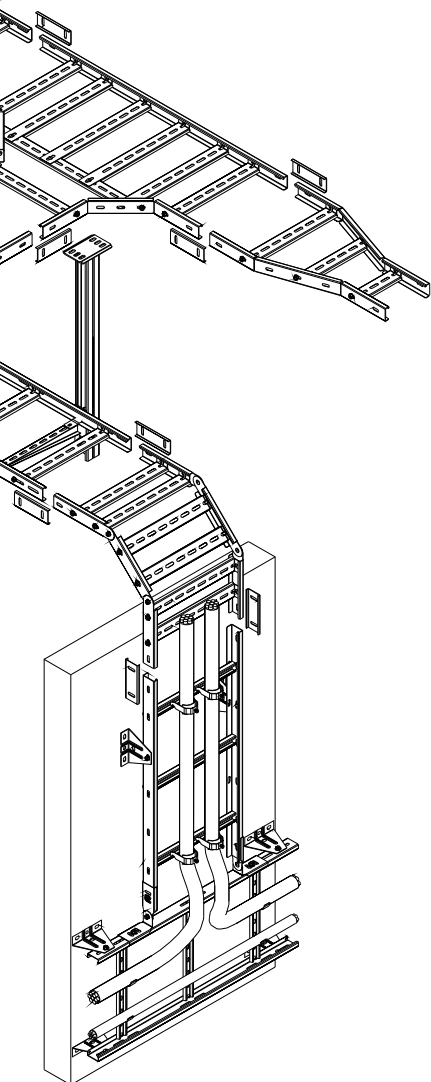
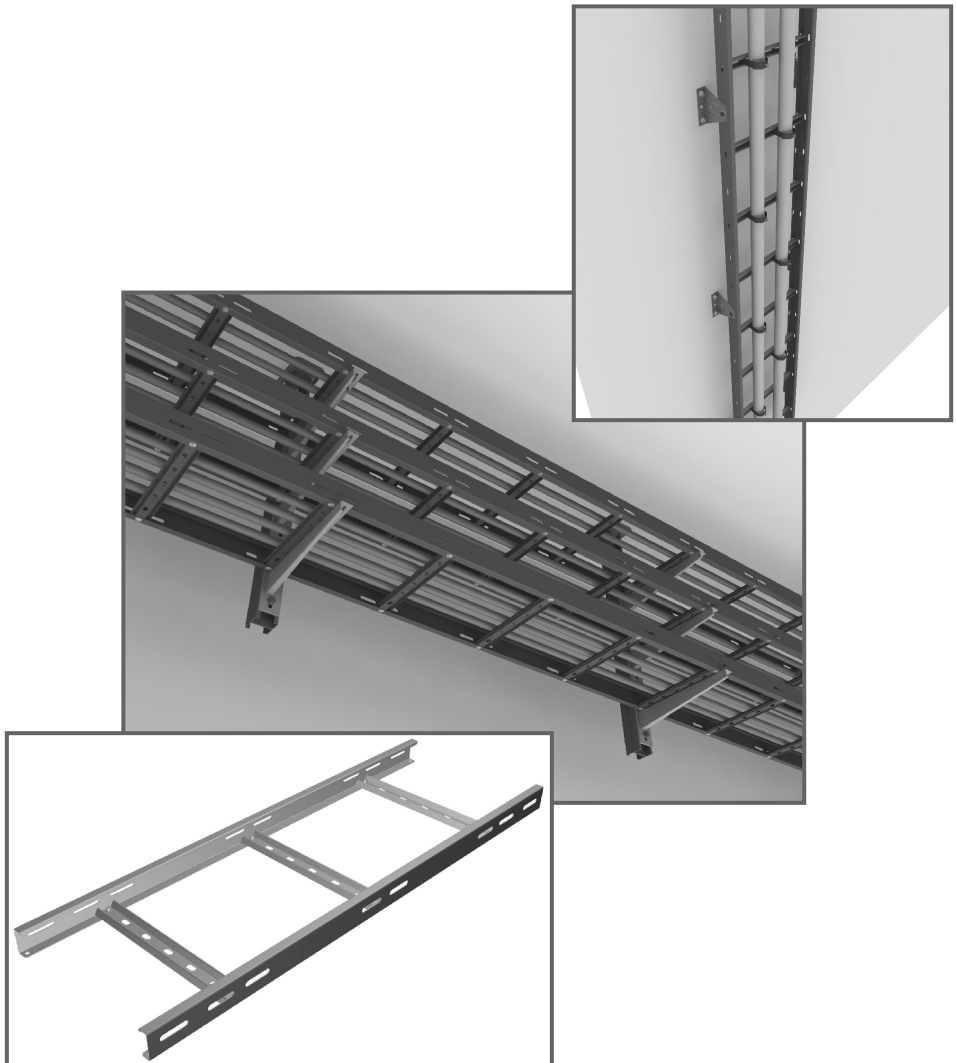


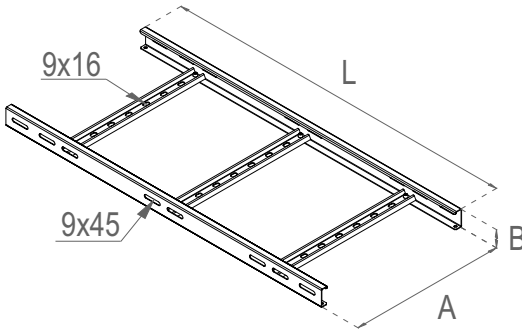
EXAMPLE ASSEMBLY OF CABLE LADDERS SYSTEM





CABLE LADDERS WITH SYSTEM OF CONNECTIONS





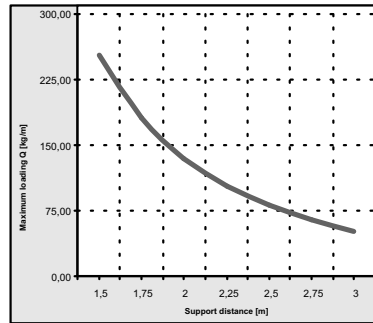
Application:
Cable routing

Material:
Steel galvanized by Sendzimir method (EN 10327).
On request: hot deep galvanized steel (EN ISO 1461),
stainless steel (AISI 304 or AISI 316), aluminum,
powder coating on each of RAL colours.



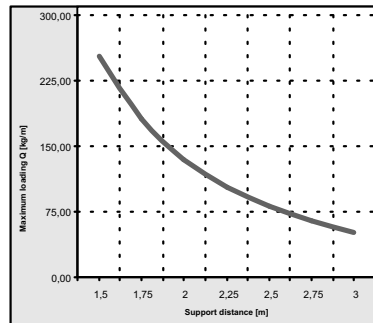
DKN ...B45-2000-12

1,20	Cat. No.	Symbol		Jm	Weight [kg/m]	Dim. A [mm]	Dim. B [mm]	Dim. L [mm]
	790607	DKN 100B45-2000-12	2	mb	1,65	100	45	2000
790608	DKN 150B45-2000-12	2	mb	1,74	150	45	2000	
790609	DKN 200B45-2000-12	2	mb	1,84	200	45	2000	
790610	DKN 250B45-2000-12	2	mb	1,93	250	45	2000	
790611	DKN 300B45-2000-12	2	mb	2,02	300	45	2000	
790612	DKN 400B45-2000-12	2	mb	2,21	400	45	2000	
790613	DKN 500B45-2000-12	2	mb	2,39	500	45	2000	
790614	DKN 600B45-2000-12	2	mb	2,56	600	45	2000	



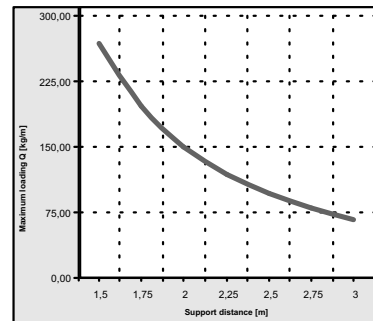
DKN ...B45-3000-12

1,20	Cat. No.	Symbol		Jm	Weight [kg/m]	Dim. A [mm]	Dim. B [mm]	Dim. L [mm]
	790711	DKN 100B45-3000-12	3	mb	1,64	100	45	3000
790712	DKN 150B45-3000-12	3	mb	1,73	150	45	3000	
790713	DKN 200B45-3000-12	3	mb	1,82	200	45	3000	
790714	DKN 250B45-3000-12	3	mb	1,91	250	45	3000	
790715	DKN 300B45-3000-12	3	mb	2,00	300	45	3000	
790716	DKN 400B45-3000-12	3	mb	2,17	400	45	3000	
790717	DKN 500B45-3000-12	3	mb	2,35	500	45	3000	
790718	DKN 600B45-3000-12	3	mb	2,52	600	45	3000	

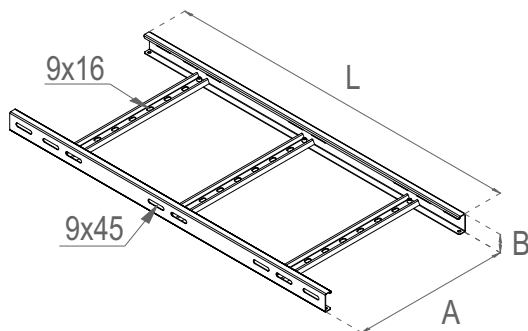


DKN ...B45-2000-15

1,50	Cat. No.	Symbol		Jm	Weight [kg/m]	Dim. A [mm]	Dim. B [mm]	Dim. L [mm]
	790631	DKN 100B45-2000-15	2	mb	2,06	100	45	2000
790632	DKN 150B45-2000-15	2	mb	2,18	150	45	2000	
790633	DKN 200B45-2000-15	2	mb	2,30	200	45	2000	
790634	DKN 250B45-2000-15	2	mb	2,41	250	45	2000	
790635	DKN 300B45-2000-15	2	mb	2,53	300	45	2000	
790636	DKN 400B45-2000-15	2	mb	2,76	400	45	2000	
790637	DKN 500B45-2000-15	2	mb	2,99	500	45	2000	
790638	DKN 600B45-2000-15	2	mb	3,22	600	45	2000	



CABLE LADDER

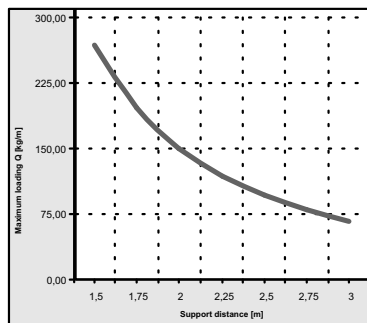


Application:
Cable routing

Material:
Steel galvanized by Sendzimir method (EN 10327),
On request: hot deep galvanized steel (EN ISO 1461),
stainless steel (AISI 304 or AISI 316), aluminum,
powder coating on each of RAL colours.

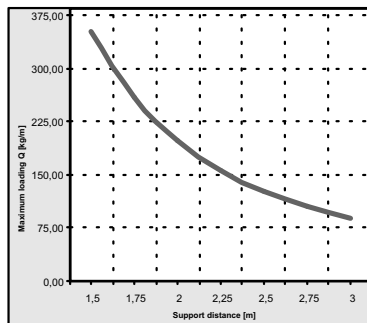
DKN ...B45-3000-15

1,50	Cat. No.	Symbol		Jm	Weight [kg/m]	Dim. A [mm]	Dim. B [mm]	Dim. L [mm]
	790735	DKN 100B45-3000-15	3	mb	2,05	100	45	3000
790736	DKN 150B45-3000-15	3	mb	2,16	150	45	3000	
790737	DKN 200B45-3000-15	3	mb	2,27	200	45	3000	
790738	DKN 250B45-3000-15	3	mb	2,38	250	45	3000	
790739	DKN 300B45-3000-15	3	mb	2,49	300	45	3000	
790740	DKN 400B45-3000-15	3	mb	2,71	400	45	3000	
790741	DKN 500B45-3000-15	3	mb	2,93	500	45	3000	
790742	DKN 600B45-3000-15	3	mb	3,15	600	45	3000	



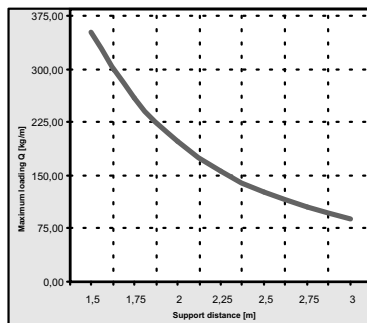
DKN ...B45-2000-20

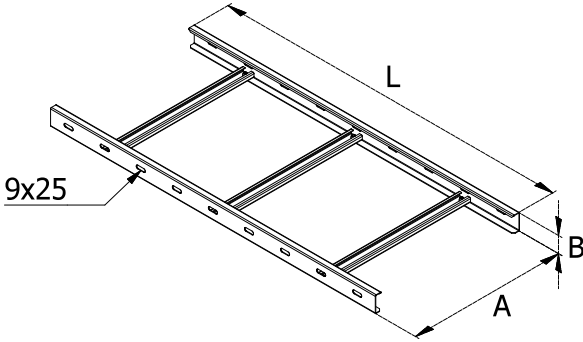
2,00	Cat. No.	Symbol		Jm	Weight [kg/m]	Dim. A [mm]	Dim. B [mm]	Dim. L [mm]
	790671	DKN 100B45-2000-20	2	mb	2,75	100	45	2000
790672	DKN 150B45-2000-20	2	mb	2,91	150	45	2000	
790673	DKN 200B45-2000-20	2	mb	3,06	200	45	2000	
790674	DKN 250B45-2000-20	2	mb	3,21	250	45	2000	
790675	DKN 300B45-2000-20	2	mb	3,37	300	45	2000	
790676	DKN 400B45-2000-20	2	mb	3,68	400	45	2000	
790677	DKN 500B45-2000-20	2	mb	3,98	500	45	2000	
790678	DKN 600B45-2000-20	2	mb	4,29	600	45	2000	



DKN ...B45-3000-20

2,00	Cat. No.	Symbol		Jm	Weight [kg/m]	Dim. A [mm]	Dim. B [mm]	Dim. L [mm]
	790775	DKN 100B45-3000-20	3	mb	2,74	100	45	3000
790776	DKN 150B45-3000-20	3	mb	2,88	150	45	3000	
790777	DKN 200B45-3000-20	3	mb	3,03	200	45	3000	
790778	DKN 250B45-3000-20	3	mb	3,18	250	45	3000	
790779	DKN 300B45-3000-20	3	mb	3,32	300	45	3000	
790780	DKN 400B45-3000-20	3	mb	3,62	400	45	3000	
790781	DKN 500B45-3000-20	3	mb	3,91	500	45	3000	
790782	DKN 600B45-3000-20	3	mb	4,20	600	45	3000	





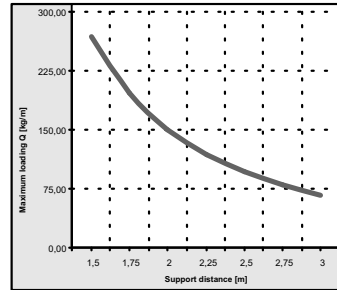
Application:
Cable routing

Material:
Steel galvanized by Sendzimir method (EN 10327),
On request: hot deep galvanized steel (EN ISO 1461),
stainless steel (AISI 304 or AISI 316), aluminum,
powder coating on each of RAL colours.



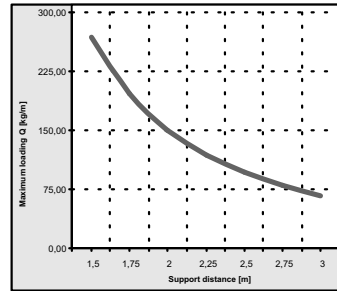
DUK . . . B45-2000-12

1,20	Cat. No.	Symbol		Jm	Weight [kg/m]	Dim. A [mm]	Dim. B [mm]	Dim. L [mm]
	790404	DUK 100B45-2000-12	2	mb	1,92	100	45	2000
790405	DUK 150B45-2000-12	2	mb	2,04	150	45	2000	
790406	DUK 200B45-2000-12	2	mb	2,17	200	45	2000	
790407	DUK 250B45-2000-12	2	mb	2,29	250	45	2000	
790408	DUK 300B45-2000-12	2	mb	2,41	300	45	2000	
790409	DUK 400B45-2000-12	2	mb	2,66	400	45	2000	
790410	DUK 500B45-2000-12	2	mb	2,90	500	45	2000	
790411	DUK 600B45-2000-12	2	mb	3,15	600	45	2000	



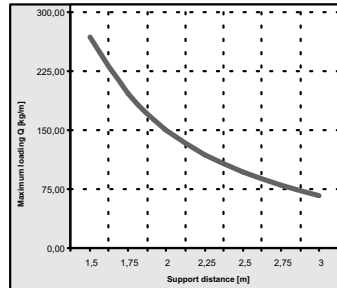
DUK . . . B45-3000-12

1,20	Cat. No.	Symbol		Jm	Weight [kg/m]	Dim. A [mm]	Dim. B [mm]	Dim. L [mm]
	789834	DUK 100B45-3000-12	3	mb	1,91	100	45	3000
789835	DUK 150B45-3000-12	3	mb	2,03	150	45	3000	
789836	DUK 200B45-3000-12	3	mb	2,14	200	45	3000	
789837	DUK 250B45-3000-12	3	mb	2,26	250	45	3000	
789838	DUK 300B45-3000-12	3	mb	2,38	300	45	3000	
789839	DUK 400B45-3000-12	3	mb	2,61	400	45	3000	
789840	DUK 500B45-3000-12	3	mb	2,84	500	45	3000	
789841	DUK 600B45-3000-12	3	mb	3,08	600	45	3000	

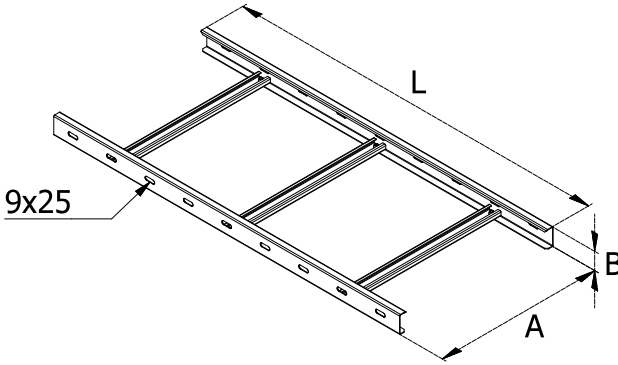


DUK . . . B45-2000-15

1,50	Cat. No.	Symbol		Jm	Weight [kg/m]	Dim. A [mm]	Dim. B [mm]	Dim. L [mm]
	790428	DUK 100B45-2000-15	2	mb	2,40	100	45	2000
790429	DUK 150B45-2000-15	2	mb	2,55	150	45	2000	
790430	DUK 200B45-2000-15	2	mb	2,71	200	45	2000	
790431	DUK 250B45-2000-15	2	mb	2,86	250	45	2000	
790432	DUK 300B45-2000-15	2	mb	3,01	300	45	2000	
790433	DUK 400B45-2000-15	2	mb	3,32	400	45	2000	
790434	DUK 500B45-2000-15	2	mb	3,63	500	45	2000	
790435	DUK 600B45-2000-15	2	mb	3,93	600	45	2000	



CABLE LADDER



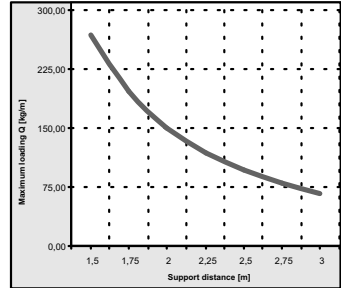
Application:
Cable routing

Material:
Steel galvanized by Sendzimir method (EN 10327),
On request: hot deep galvanized steel (EN ISO 1461),
stainless steel (AISI 304 or AISI 316), aluminum,
powder coating on each of RAL colours.

DUK ...B45-3000-15

Cat. No.	Symbol	Jm	Weight [kg/m]	Dim. [mm]		
				A	B	L
789230	DUK 100B45-3000-15	3	mb 2,39	100	45	3000
789231	DUK 150B45-3000-15	3	mb 2,53	150	45	3000
789232	DUK 200B45-3000-15	3	mb 2,68	200	45	3000
789233	DUK 250B45-3000-15	3	mb 2,82	250	45	3000
789234	DUK 300B45-3000-15	3	mb 2,97	300	45	3000
789235	DUK 400B45-3000-15	3	mb 3,26	400	45	3000
789236	DUK 500B45-3000-15	3	mb 3,55	500	45	3000
789237	DUK 600B45-3000-15	3	mb 3,85	600	45	3000

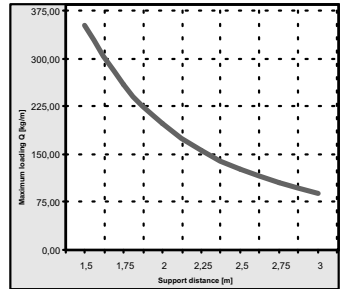
1,50



DUK ...B45-2000-20

Cat. No.	Symbol	Jm	Weight [kg/m]	Dim. [mm]		
				A	B	L
790468	DUK 100B45-2000-20	2	mb 3,20	100	45	2000
790469	DUK 150B45-2000-20	2	mb 3,41	150	45	2000
790470	DUK 200B45-2000-20	2	mb 3,61	200	45	2000
790471	DUK 250B45-2000-20	2	mb 3,81	250	45	2000
790472	DUK 300B45-2000-20	2	mb 4,02	300	45	2000
790473	DUK 400B45-2000-20	2	mb 4,43	400	45	2000
790474	DUK 500B45-2000-20	2	mb 4,84	500	45	2000
790475	DUK 600B45-2000-20	2	mb 5,24	600	45	2000

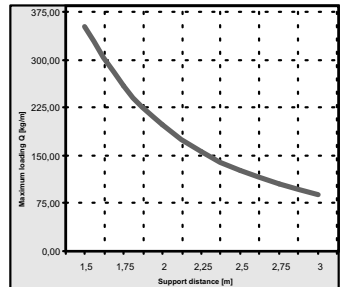
2,00



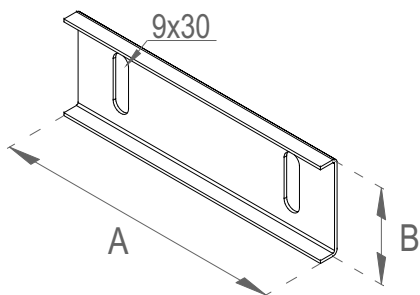
DUK ...B45-3000-20

Cat. No.	Symbol	Jm	Weight [kg/m]	Dim. [mm]		
				A	B	L
789270	DUK 100B45-3000-20	3	mb 3,18	100	45	3000
789271	DUK 150B45-3000-20	3	mb 3,38	150	45	3000
789272	DUK 200B45-3000-20	3	mb 3,57	200	45	3000
789273	DUK 250B45-3000-20	3	mb 3,77	250	45	3000
789274	DUK 300B45-3000-20	3	mb 3,96	300	45	3000
789275	DUK 400B45-3000-20	3	mb 4,35	400	45	3000
789276	DUK 500B45-3000-20	3	mb 4,74	500	45	3000
789277	DUK 600B45-3000-20	3	mb 5,13	600	45	3000

2,00




LADDER CONNECTOR



Application:
Connecting cable ladders.
For assembly use 2 sets of SGNKK M8x12.

Material:
Steel galvanized by Sendzimir method (EN 10327),
On request: hot deep galvanized steel (EN ISO 1461),
stainless steel (AISI 304 or AISI 316), aluminum,
powder coating on each of RAL colours.

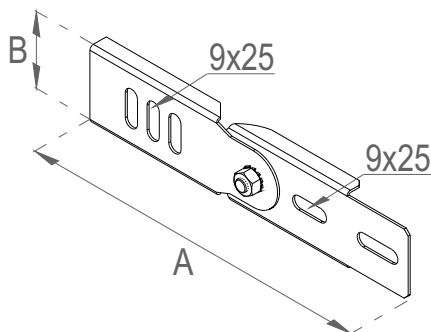
LDD B45

Cat. No.	Symbol		Jm	Weight [kg/pcs]	Dim. A [mm]	Dim. B [mm]
783248	LDD B45	60	pcs.	0,10	150	48

B45




VERTICAL LADDER CONNECTOR



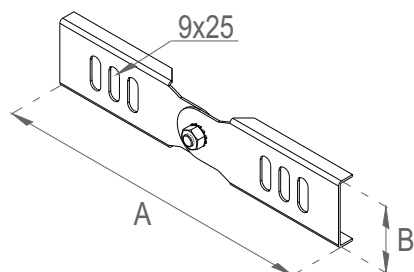
Application:
Connecting cable ladders.
For assembly use 2 sets of SGNKK M8x12.

Material:
Steel galvanized by Sendzimir method (EN 10327),
On request: hot deep galvanized steel (EN ISO 1461),
stainless steel (AISI 304 or AISI 316), aluminum,
powder coating on each of RAL colours.

LPNDD B45

Cat. No.	Symbol		Jm	Weight [kg/pcs]	Dim. A [mm]	Dim. B [mm]
783253	LPNDD B45	1	pcs.	0,19	232	49


ADJUSTABLE LADDER CONNECTOR



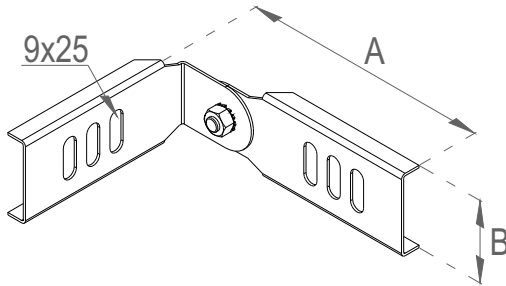
Application:
Connecting cable ladders.
For assembly use 2 sets of SGNKK M8x12.

Material:
Steel galvanized by Sendzimir method (EN 10327),
On request: hot deep galvanized steel (EN ISO 1461),
stainless steel (AISI 304 or AISI 316), aluminum,
powder coating on each of RAL colours.

LPDD B45

Cat. No.	Symbol		Jm	Weight [kg/pcs]	Dim. A [mm]	Dim. B [mm]
783258	LPDD B45	1	pcs.	0,19	240	49

SIDE ANGULAR LADDER CONNECTOR

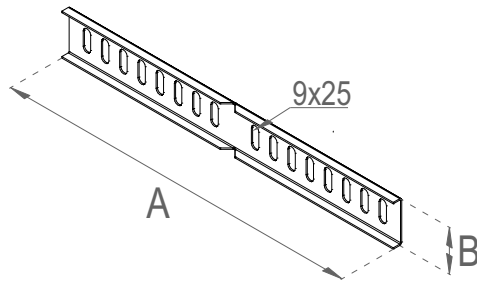


Application:
Connecting cable ladders.
For assembly use 2 sets of SGNKK M8x12.

Material:
Steel galvanized by Sendzimir method (EN 10327),
On request: hot deep galvanized steel (EN ISO 1461),
stainless steel (AISI 304 or AISI 316), aluminum,
powder coating on each of RAL colours.

LKBDD B45						
Cat. No.	Symbol		Jm	Weight	Dim.	Dim.
				[kg/pcs]	A [mm]	B [mm]
783263	LKBDD B45	1	pcs.	0,19	150	49

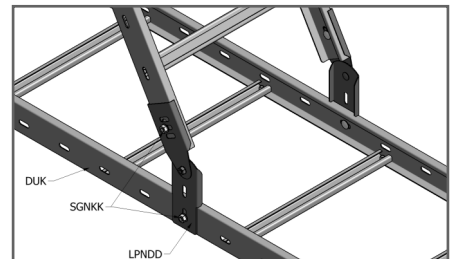
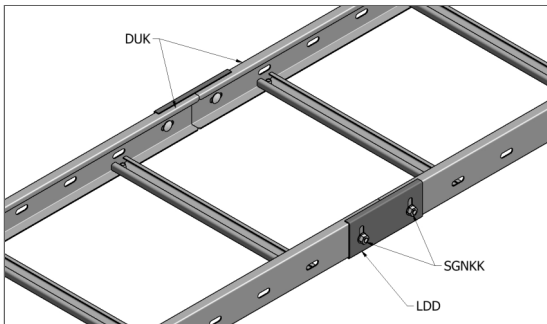
ANGULAR LADDER CONNECTOR



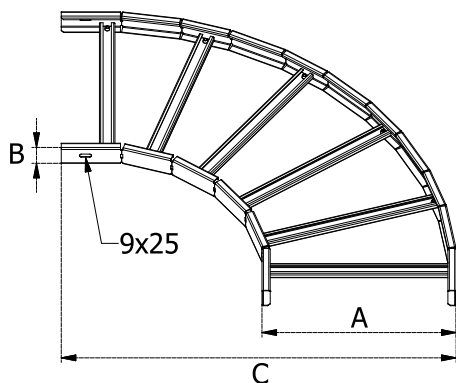
Application:
Horizontal angle connection.
For assembly use 2 sets of SGNKK M8x12.

Material:
Steel galvanized by Sendzimir method (EN 10327),
On request: hot deep galvanized steel (EN ISO 1461),
stainless steel (AISI 304 or AISI 316), aluminum,
powder coating on each of RAL colours.

LKDD B45						
Cat. No.	Symbol		Jm	Weight	Dim.	Dim.
				[kg/pcs]	A [mm]	B [mm]
783268	LKDD B45	1	pcs.	0,27	400	48



LADDER HORIZONTAL BEND



Application:
Horizontal change of direction of cable routes.

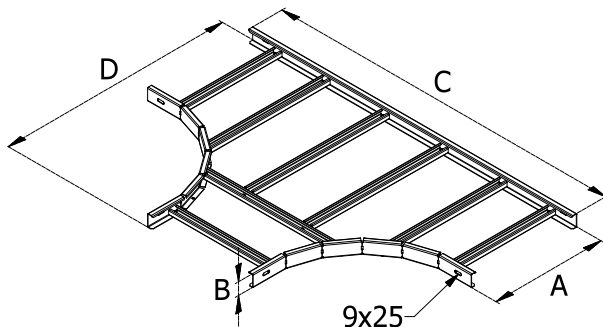
Material:
Steel galvanized by Sendzimir method (EN 10327),
On request: hot deep galvanized steel (EN ISO 1461),
stainless steel (AISI 304 or AISI 316), aluminum,
powder coating on each of RAL colours.



1,50		LDK . . . B45-15						
Cat. No.	Symbol		Jm	Weight [kg/pcs]	Dim. A [mm]	Dim. B [mm]	Dim. C [mm]	
785490	LDK 100B45-15	1	pcs.	1,50	100	45	445	
785491	LDK 150B45-15	1	pcs.	1,67	150	45	495	
785492	LDK 200B45-15	1	pcs.	1,84	200	45	545	
785493	LDK 250B45-15	1	pcs.	2,01	250	45	595	
785494	LDK 300B45-15	1	pcs.	2,19	300	45	645	
785495	LDK 400B45-15	1	pcs.	2,53	400	45	745	
785496	LDK 500B45-15	1	pcs.	2,87	500	45	845	
785497	LDK 600B45-15	1	pcs.	3,22	600	45	945	

2,00		LDK . . . B45-20						
Cat. No.	Symbol		Jm	Weight [kg/pcs]	Dim. A [mm]	Dim. B [mm]	Dim. C [mm]	
785530	LDK 100B45-20	1	pcs.	2,00	100	45	445	
785531	LDK 150B45-20	1	pcs.	2,22	150	45	495	
785532	LDK 200B45-20	1	pcs.	2,45	200	45	545	
785533	LDK 250B45-20	1	pcs.	2,68	250	45	595	
785534	LDK 300B45-20	1	pcs.	2,91	300	45	645	
785535	LDK 400B45-20	1	pcs.	3,37	400	45	745	
785536	LDK 500B45-20	1	pcs.	3,83	500	45	845	
785537	LDK 600B45-20	1	pcs.	4,29	600	45	945	

LADDER TEE

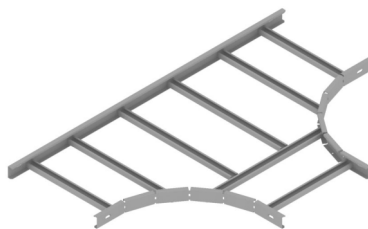


Application:
Branching out cable ladder.

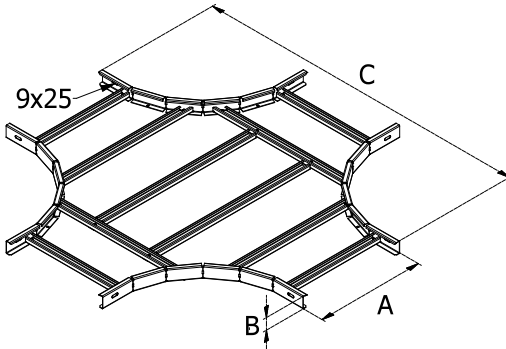
Material:
Steel galvanized by Sendzimir method (EN 10327),
On request: hot deep galvanized steel (EN ISO 1461),
stainless steel (AISI 304 or AISI 316), aluminum,
powder coating on each of RAL colours.

1,50		TDK . . . B45-15						
Cat. No.	Symbol		Jm	Weight [kg/pcs]	Dim. A [mm]	Dim. B [mm]	Dim. C [mm]	Dim. D [mm]
785570	TDK 100B45-15	1	pcs.	1,98	100	45	800	450
785571	TDK 150B45-15	1	pcs.	2,39	150	45	850	500
785572	TDK 200B45-15	1	pcs.	2,80	200	45	900	550
785573	TDK 250B45-15	1	pcs.	3,21	250	45	950	600
785574	TDK 300B45-15	1	pcs.	3,63	300	45	1000	650
785575	TDK 400B45-15	1	pcs.	4,45	400	45	1100	750
785576	TDK 500B45-15	1	pcs.	5,27	500	45	1200	850
785577	TDK 600B45-15	1	pcs.	6,10	600	45	1300	950

2,00		TDK . . . B45-20						
Cat. No.	Symbol		Jm	Weight [kg/pcs]	Dim. A [mm]	Dim. B [mm]	Dim. C [mm]	Dim. D [mm]
785610	TDK 100B45-20	1	pcs.	2,64	100	45	800	450
785611	TDK 150B45-20	1	pcs.	3,18	150	45	850	500
785612	TDK 200B45-20	1	pcs.	3,73	200	45	900	550
785613	TDK 250B45-20	1	pcs.	4,28	250	45	950	600
785614	TDK 300B45-20	1	pcs.	4,83	300	45	1000	650
785615	TDK 400B45-20	1	pcs.	5,93	400	45	1100	750
785616	TDK 500B45-20	1	pcs.	7,03	500	45	1200	850
785617	TDK 600B45-20	1	pcs.	8,13	600	45	1300	950



LADDER CROSS-OVER



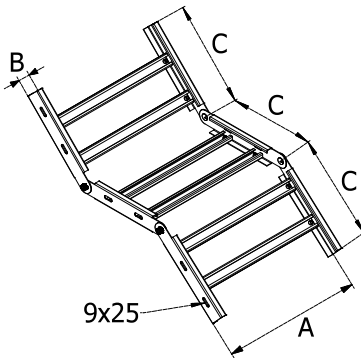
Application:
Horizontal change of direction of cable routes.

Material:
Steel galvanized by Sendzimir method (EN 10327),
On request: hot deep galvanized steel (EN ISO 1461),
stainless steel (AISI 304 or AISI 316), aluminum,
powder coating on each of RAL colours.

CZDK ...B45-15								
1,50	Cat. No.	Symbol		Jm	Weight (kg/pcs)	Dim. A [mm]	Dim. B [mm]	Dim. C [mm]
		785650	CZDK 100B45-15	1	pcs.	2,57	100	45
	785651	CZDK 150B45-15	1	pcs.	3,11	150	45	850
	785652	CZDK 200B45-15	1	pcs.	3,64	200	45	900
	785653	CZDK 250B45-15	1	pcs.	4,18	250	45	950
	785654	CZDK 300B45-15	1	pcs.	4,71	300	45	1000
	785655	CZDK 400B45-15	1	pcs.	5,78	400	45	1100
	785656	CZDK 500B45-15	1	pcs.	6,86	500	45	1200
	785657	CZDK 600B45-15	1	pcs.	7,93	600	45	1300

CZDK ...B45-20								
2,00	Cat. No.	Symbol		Jm	Weight (kg/pcs)	Dim. A [mm]	Dim. B [mm]	Dim. C [mm]
		785690	CZDK 100B45-20	1	pcs.	3,43	100	45
	785691	CZDK 150B45-20	1	pcs.	4,14	150	45	850
	785692	CZDK 200B45-20	1	pcs.	4,85	200	45	900
	785693	CZDK 250B45-20	1	pcs.	5,57	250	45	950
	785694	CZDK 300B45-20	1	pcs.	6,28	300	45	1000
	785695	CZDK 400B45-20	1	pcs.	7,71	400	45	1100
	785696	CZDK 500B45-20	1	pcs.	9,14	500	45	1200
	785697	CZDK 600B45-20	1	pcs.	10,57	600	45	1300

ADJUSTABLE VERTICAL BEND

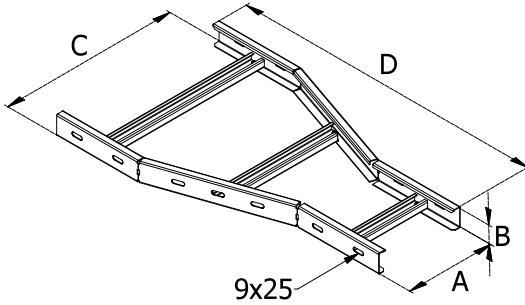


Application:
Vertical change of direction of cable routes.

Material:
Steel galvanized by Sendzimir method (EN 10327),
On request: hot deep galvanized steel (EN ISO 1461),
stainless steel (AISI 304 or AISI 316), aluminum,
powder coating on each of RAL colours.

ZPD ...B45-15								
1,50	Cat. No.	Symbol		Jm	Weight (kg/pcs)	Dim. A [mm]	Dim. B [mm]	Dim. C [mm]
		785730	ZPD 100B45-15	1	pcs.	1,94	100	45
	785731	ZPD 150B45-15	1	pcs.	2,19	150	45	250
	785732	ZPD 200B45-15	1	pcs.	2,43	200	45	250
	785733	ZPD 250B45-15	1	pcs.	2,68	250	45	250
	785734	ZPD 300B45-15	1	pcs.	2,93	300	45	250
	785735	ZPD 400B45-15	1	pcs.	3,43	400	45	250
	785736	ZPD 500B45-15	1	pcs.	3,92	500	45	250
	785737	ZPD 600B45-15	1	pcs.	4,42	600	45	250

ZPD ...B45-20								
2,00	Cat. No.	Symbol		Jm	Weight (kg/pcs)	Dim. A [mm]	Dim. B [mm]	Dim. C [mm]
		783208	ZPD 100B45-20	1	pcs.	2,58	100	45
	783209	ZPD 150B45-20	1	pcs.	2,91	150	45	250
	783210	ZPD 200B45-20	1	pcs.	3,24	200	45	250
	783211	ZPD 250B45-20	1	pcs.	3,58	250	45	250
	783212	ZPD 300B45-20	1	pcs.	3,91	300	45	250
	783213	ZPD 400B45-20	1	pcs.	4,57	400	45	250
	783214	ZPD 500B45-20	1	pcs.	5,23	500	45	250
	783215	ZPD 600B45-20	1	pcs.	5,89	600	45	250



Application:
Reducing width of cable routes.

Material:
Steel galvanized by Sendzimir method (EN 10327),
On request: hot deep galvanized steel (EN ISO 1461),
stainless steel (AISI 304 or AISI 316), aluminum,
powder coating on each of RAL colours.

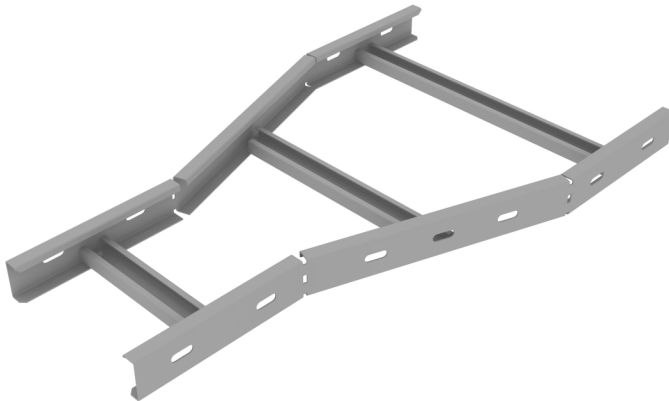


RD...B45-15

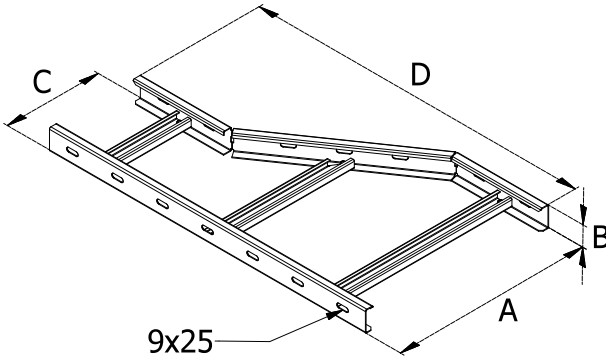
Cat. No.	Symbol		Jm	Weight [kg/pcs]	Dim.	Dim.	Dim.	Dim.
					A [mm]	B [mm]	C [mm]	D [mm]
788990	RD 200/100B45-15	1	pcs.	1,77	200	45	100	690
788991	RD 200/150B45-15	1	pcs.	1,81	200	45	150	690
788992	RD 250/200B45-15	1	pcs.	1,92	250	45	200	690
788993	RD 300/200B45-15	1	pcs.	1,98	300	45	200	690
788994	RD 300/250B45-15	1	pcs.	2,02	300	45	250	690
788995	RD 400/300B45-15	1	pcs.	2,20	400	45	300	690
788996	RD 500/400B45-15	1	pcs.	2,41	500	45	400	690
788997	RD 600/500B45-15	1	pcs.	2,63	600	45	500	690

RD...B45-20

Cat. No.	Symbol		Jm	Weight [kg/pcs]	Dim.	Dim.	Dim.	Dim.
					A [mm]	B [mm]	C [mm]	D [mm]
789030	RD 200/100B45-20	1	pcs.	2,36	200	45	100	690
789031	RD 200/150B45-20	1	pcs.	2,41	200	45	150	690
789032	RD 250/200B45-20	1	pcs.	2,55	250	45	200	690
789033	RD 300/200B45-20	1	pcs.	2,64	300	45	200	690
789034	RD 300/250B45-20	1	pcs.	2,70	300	45	250	690
789035	RD 400/300B45-20	1	pcs.	2,93	400	45	300	690
789036	RD 500/400B45-20	1	pcs.	3,21	500	45	400	690
789037	RD 600/500B45-20	1	pcs.	3,50	600	45	500	690



LADDER REDUCTION LEFT

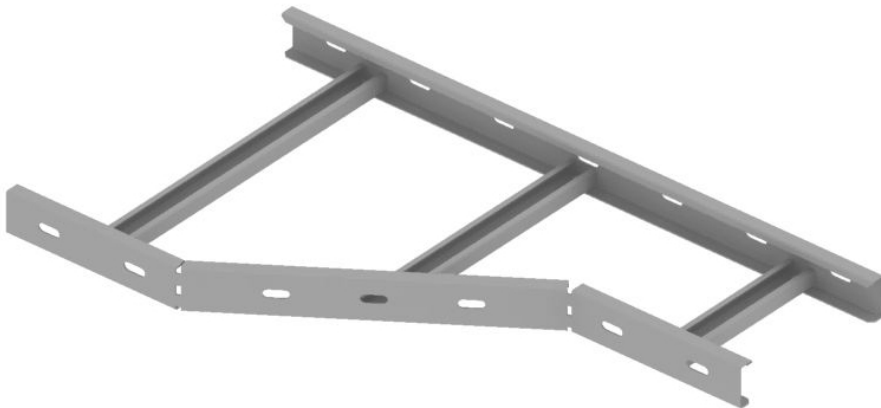


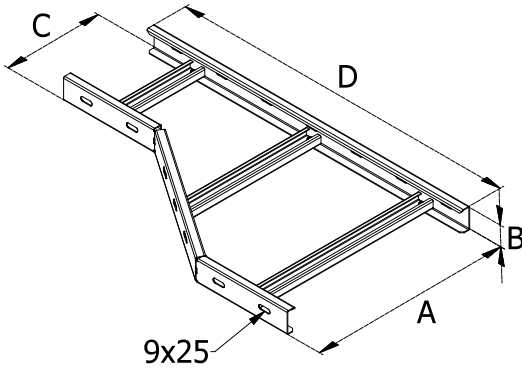
Application:
Reducing width of cable routes.

Material:
Steel galvanized by Sendzimir method (EN 10327),
On request: hot deep galvanized steel (EN ISO 1461),
stainless steel (AISI 304 or AISI 316), aluminum,
powder coating on each of RAL colours.

RDL...B45-15									
1,50	Cat. No.	Symbol		Jm	Weight	Dim.	Dim.	Dim.	Dim.
					(kg/pcs)	A [mm]	B [mm]	C [mm]	D [mm]
	789070	RDL 200/100B45-15	1	pcs.	1,77	200	45	100	690
	789071	RDL 200/150B45-15	1	pcs.	1,81	200	45	150	690
	789072	RDL 250/200B45-15	1	pcs.	1,92	250	45	200	690
	789073	RDL 300/200B45-15	1	pcs.	1,98	300	45	200	690
	789074	RDL 300/250B45-15	1	pcs.	2,02	300	45	250	690
	789075	RDL 400/300B45-15	1	pcs.	2,20	400	45	300	690
	789076	RDL 500/400B45-15	1	pcs.	2,41	500	45	400	690
789077	RDL 600/500B45-15	1	pcs.	2,63	600	45	500	690	

RDL...B45-20									
2,00	Cat. No.	Symbol		Jm	Weight	Dim.	Dim.	Dim.	Dim.
					(kg/pcs)	A [mm]	B [mm]	C [mm]	D [mm]
	789110	RDL 200/100B45-20	1	pcs.	2,36	200	45	100	690
	789111	RDL 200/150B45-20	1	pcs.	2,41	200	45	150	690
	789112	RDL 250/200B45-20	1	pcs.	2,55	250	45	200	690
	789113	RDL 300/200B45-20	1	pcs.	2,64	300	45	200	690
	789114	RDL 300/250B45-20	1	pcs.	2,70	300	45	250	690
	789115	RDL 400/300B45-20	1	pcs.	2,93	400	45	300	690
	789116	RDL 500/400B45-20	1	pcs.	3,21	500	45	400	690
789117	RDL 600/500B45-20	1	pcs.	3,50	600	45	500	690	





Application:
Reducing width of cable routes.

Material:
Steel galvanized by Sendzimir method (EN 10327),
On request: hot deep galvanized steel (EN ISO 1461),
stainless steel (AISI 304 or AISI 316), aluminum,
powder coating on each of RAL colours.



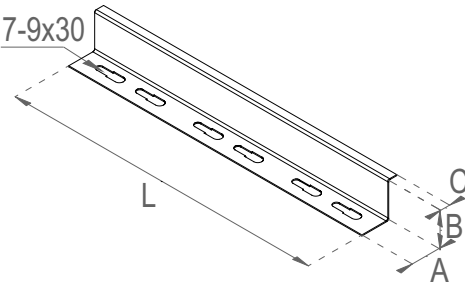
RDP...B45-15

Cat. No.	Symbol	Jm	Weight [kg/pcs]	Dim. A [mm]	Dim. B [mm]	Dim. C [mm]	Dim. D [mm]
789150	RDP 200/100B45-15	1	1,77	200	45	100	690
789151	RDP 200/150B45-15	1	1,81	200	45	150	690
789152	RDP 250/200B45-15	1	1,92	250	45	200	690
789153	RDP 300/200B45-15	1	1,98	300	45	200	690
789154	RDP 300/250B45-15	1	2,02	300	45	250	690
789155	RDP 400/300B45-15	1	2,20	400	45	300	690
789156	RDP 500/400B45-15	1	2,41	500	45	400	690
789157	RDP 600/500B45-15	1	2,63	600	45	500	690



RDP...B45-20

Cat. No.	Symbol	Jm	Weight [kg/pcs]	Dim. A [mm]	Dim. B [mm]	Dim. C [mm]	Dim. D [mm]
789190	RDP 200/100B45-20	1	2,36	200	45	100	690
789191	RDP 200/150B45-20	1	2,41	200	45	150	690
789192	RDP 250/200B45-20	1	2,55	250	45	200	690
789193	RDP 300/200B45-20	1	2,64	300	45	200	690
789194	RDP 300/250B45-20	1	2,70	300	45	250	690
789195	RDP 400/300B45-20	1	2,93	400	45	300	690
789196	RDP 500/400B45-20	1	3,21	500	45	400	690
789197	RDP 600/500B45-20	1	3,50	600	45	500	690



LADDER PARTITION

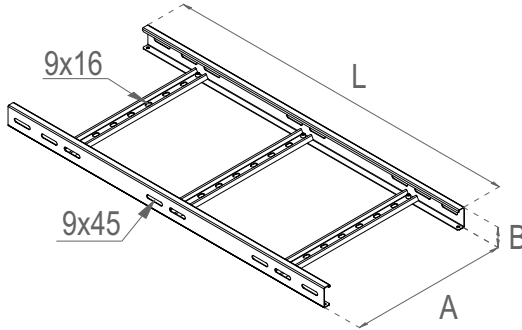
Application:
Cable tray dividing.

Material:
Steel galvanized by Sendzimir method (EN 10327),
On request: hot deep galvanized steel (EN ISO 1461),
stainless steel (AISI 304 or AISI 316), aluminum,
powder coating on each of RAL colours.

PDD...B45-...

Cat. No.	Symbol	Jm	Weight [kg/m]	Dim. A [mm]	Dim. B [mm]	Dim. C [mm]	Dim. L [mm]
789479	PDD B45M-055	2	0,29	32	30	10	2000
789480	PDD B45-055	2	0,29	32	30	10	2000
789485	PDD B45M-075	3	0,39	32	30	10	3000
789486	PDD B45-075	3	0,39	32	30	10	3000
789495	PDD B45M-10	3	0,51	32	30	10	3000
789496	PDD B45-10	3	0,51	32	30	10	3000
789505	PDD B45M-15	3	0,74	32	30	10	3000
789506	PDD B45-15	3	0,74	32	30	10	3000

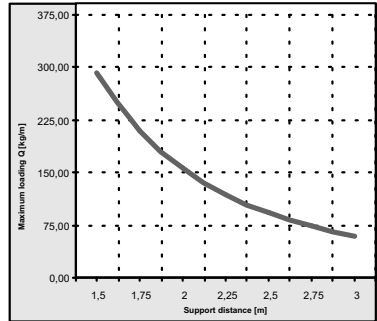
Attention: The symbol of the partition containing the M means the partition installed in the ladder.



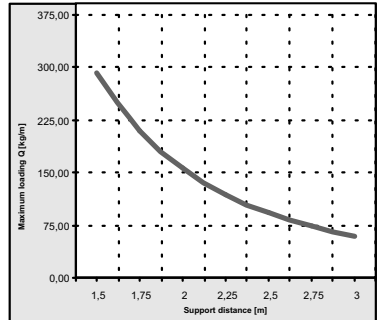
Application:
Cable routing

Material:
Steel galvanized by Sendzimir method (EN 10327),
On request: hot deep galvanized steel (EN ISO 1461),
stainless steel (AISI 304 or AISI 316), aluminum,
powder coating on each of RAL colours.

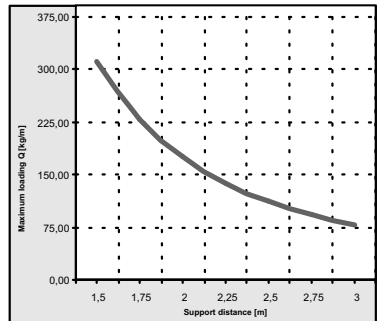
DKN . . . B50-2000-12								
1,20	Cat. No.	Symbol		Jm	Weight [kg/m]	Dim. A [mm]	Dim. B [mm]	Dim. L [mm]
	790615	DKN 100B50-2000-12	2	mb	1,74	100	50	2000
	790616	DKN 150B50-2000-12	2	mb	1,84	150	50	2000
	790617	DKN 200B50-2000-12	2	mb	1,93	200	50	2000
	790618	DKN 250B50-2000-12	2	mb	2,02	250	50	2000
	790619	DKN 300B50-2000-12	2	mb	2,11	300	50	2000
	790620	DKN 400B50-2000-12	2	mb	2,30	400	50	2000
	790621	DKN 500B50-2000-12	2	mb	2,48	500	50	2000
	790622	DKN 600B50-2000-12	2	mb	2,67	600	50	2000



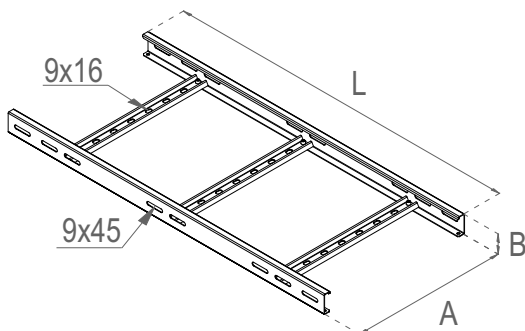
DKN . . . B50-3000-12								
1,20	Cat. No.	Symbol		Jm	Weight [kg/m]	Dim. A [mm]	Dim. B [mm]	Dim. L [mm]
	790719	DKN 100B50-3000-12	3	mb	1,73	100	50	3000
	790720	DKN 150B50-3000-12	3	mb	1,82	150	50	3000
	790721	DKN 200B50-3000-12	3	mb	1,91	200	50	3000
	790722	DKN 250B50-3000-12	3	mb	2,00	250	50	3000
	790723	DKN 300B50-3000-12	3	mb	2,09	300	50	3000
	790724	DKN 400B50-3000-12	3	mb	2,26	400	50	3000
	790725	DKN 500B50-3000-12	3	mb	2,44	500	50	3000
	790726	DKN 600B50-3000-12	3	mb	2,61	600	50	3000



DKN . . . B50-2000-15								
1,50	Cat. No.	Symbol		Jm	Weight [kg/m]	Dim. A [mm]	Dim. B [mm]	Dim. L [mm]
	790639	DKN 100B50-2000-15	2	mb	2,18	100	50	2000
	790640	DKN 150B50-2000-15	2	mb	2,29	150	50	2000
	790641	DKN 200B50-2000-15	2	mb	2,41	200	50	2000
	790642	DKN 250B50-2000-15	2	mb	2,53	250	50	2000
	790643	DKN 300B50-2000-15	2	mb	2,64	300	50	2000
	790644	DKN 400B50-2000-15	2	mb	2,87	400	50	2000
	790645	DKN 500B50-2000-15	2	mb	3,10	500	50	2000
	790646	DKN 600B50-2000-15	2	mb	3,33	600	50	2000



CABLE LADDER



Application:
Cable routing

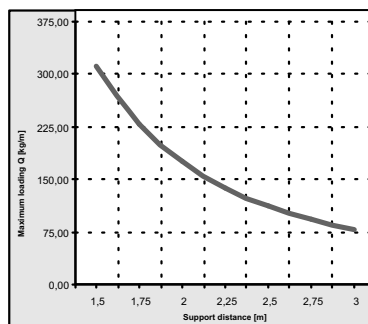
Material:
Steel galvanized by Sendzimir method (EN 10327).
On request: hot deep galvanized steel (EN ISO 1461),
stainless steel (AISI 304 or AISI 316), aluminum,
powder coating on each of RAL colours.

B50



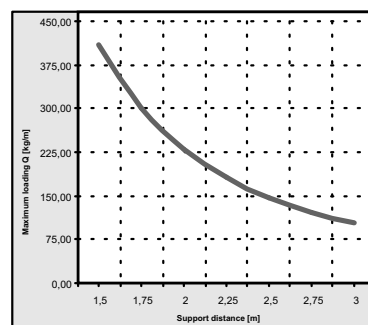
DKN ...B50-3000-15

1,50	Cat. No.	Symbol		Jm	Weight [kg/m]	Dim. A [mm]	Dim. B [mm]	Dim. L [mm]
	790743	DKN 100B50-3000-15	3	mb	2,17	100	50	3000
790744	DKN 150B50-3000-15	3	mb	2,28	150	50	3000	
790745	DKN 200B50-3000-15	3	mb	2,39	200	50	3000	
790746	DKN 250B50-3000-15	3	mb	2,50	250	50	3000	
790747	DKN 300B50-3000-15	3	mb	2,61	300	50	3000	
790748	DKN 400B50-3000-15	3	mb	2,83	400	50	3000	
790749	DKN 500B50-3000-15	3	mb	3,05	500	50	3000	
790750	DKN 600B50-3000-15	3	mb	3,27	600	50	3000	



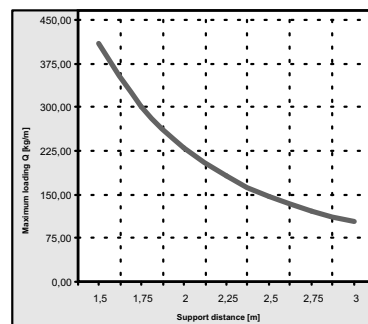
DKN ...B50-2000-20

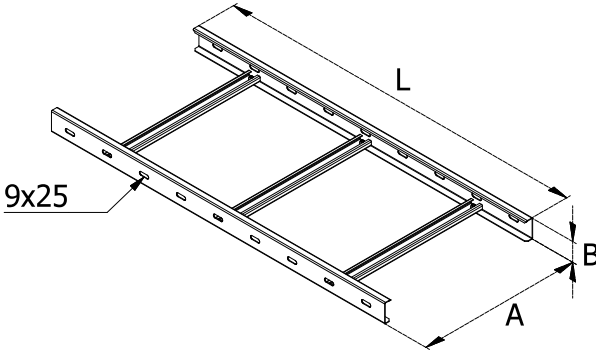
2,00	Cat. No.	Symbol		Jm	Weight [kg/m]	Dim. A [mm]	Dim. B [mm]	Dim. L [mm]
	790679	DKN 100B50-2000-20	2	mb	2,90	100	50	2000
790680	DKN 150B50-2000-20	2	mb	3,06	150	50	2000	
790681	DKN 200B50-2000-20	2	mb	3,21	200	50	2000	
790682	DKN 250B50-2000-20	2	mb	3,37	250	50	2000	
790683	DKN 300B50-2000-20	2	mb	3,52	300	50	2000	
790684	DKN 400B50-2000-20	2	mb	3,85	400	50	2000	
790685	DKN 500B50-2000-20	2	mb	4,14	500	50	2000	
790686	DKN 600B50-2000-20	2	mb	4,44	600	50	2000	



DKN ...B50-3000-20

2,00	Cat. No.	Symbol		Jm	Weight [kg/m]	Dim. A [mm]	Dim. B [mm]	Dim. L [mm]
	790783	DKN 100B50-3000-20	3	mb	2,89	100	50	3000
790784	DKN 150B50-3000-20	3	mb	3,04	150	50	3000	
790785	DKN 200B50-3000-20	3	mb	3,18	200	50	3000	
790786	DKN 250B50-3000-20	3	mb	3,33	250	50	3000	
790787	DKN 300B50-3000-20	3	mb	3,48	300	50	3000	
790788	DKN 400B50-3000-20	3	mb	3,77	400	50	3000	
790789	DKN 500B50-3000-20	3	mb	4,06	500	50	3000	
790790	DKN 600B50-3000-20	3	mb	4,36	600	50	3000	



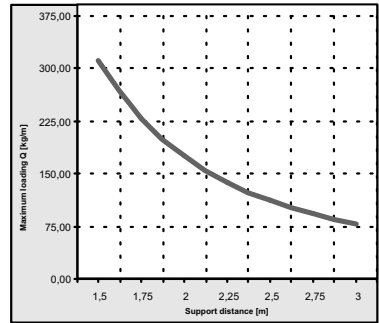


Application:
Cable routing

Material:
Steel galvanized by Sendzimir method (EN 10327),
On request: hot deep galvanized steel (EN ISO 1461),
stainless steel (AISI 304 or AISI 316), aluminum,
powder coating on each of RAL colours.

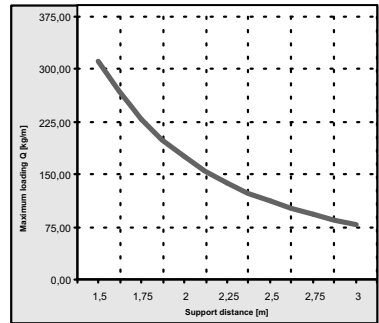
DUK ...B50-2000-12

1,20	Cat. No.	Symbol		Jm	Weight [kg/m]	Dim. A [mm]	Dim. B [mm]	Dim. L [mm]
	790412	DUK 100B50-2000-12	2	mb	2,01	100	50	2000
790413	DUK 150B50-2000-12	2	mb	2,13	150	50	2000	
790414	DUK 200B50-2000-12	2	mb	2,25	200	50	2000	
790415	DUK 250B50-2000-12	2	mb	2,38	250	50	2000	
790416	DUK 300B50-2000-12	2	mb	2,50	300	50	2000	
790417	DUK 400B50-2000-12	2	mb	2,74	400	50	2000	
790418	DUK 500B50-2000-12	2	mb	2,99	500	50	2000	
790419	DUK 600B50-2000-12	2	mb	3,23	600	50	2000	



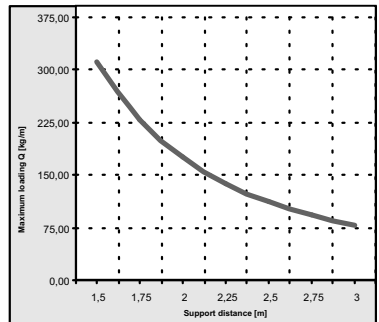
DUK ...B50-3000-12

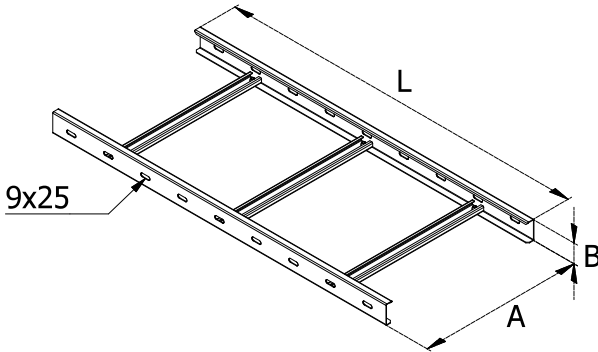
1,20	Cat. No.	Symbol		Jm	Weight [kg/m]	Dim. A [mm]	Dim. B [mm]	Dim. L [mm]
	789842	DUK 100B50-3000-12	3	mb	2,00	100	50	3000
789843	DUK 150B50-3000-12	3	mb	2,11	150	50	3000	
789844	DUK 200B50-3000-12	3	mb	2,23	200	50	3000	
789845	DUK 250B50-3000-12	3	mb	2,35	250	50	3000	
789846	DUK 300B50-3000-12	3	mb	2,46	300	50	3000	
789847	DUK 400B50-3000-12	3	mb	2,70	400	50	3000	
789848	DUK 500B50-3000-12	3	mb	2,93	500	50	3000	
789849	DUK 600B50-3000-12	3	mb	3,16	600	50	3000	



DUK ...B50-2000-15

1,50	Cat. No.	Symbol		Jm	Weight [kg/m]	Dim. A [mm]	Dim. B [mm]	Dim. L [mm]
	790436	DUK 100B50-2000-15	2	mb	2,51	100	50	2000
790437	DUK 150B50-2000-15	2	mb	2,66	150	50	2000	
790438	DUK 200B50-2000-15	2	mb	2,82	200	50	2000	
790439	DUK 250B50-2000-15	2	mb	2,97	250	50	2000	
790440	DUK 300B50-2000-15	2	mb	3,12	300	50	2000	
790441	DUK 400B50-2000-15	2	mb	3,43	400	50	2000	
790442	DUK 500B50-2000-15	2	mb	3,73	500	50	2000	
790443	DUK 600B50-2000-15	2	mb	4,04	600	50	2000	





Application:
Cable routing

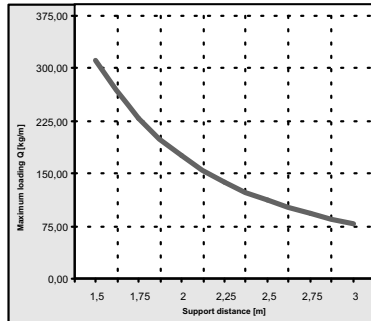
Material:

Steel galvanized by Sendzimir method (EN 10327),
On request: hot deep galvanized steel (EN ISO 1461),
stainless steel (AISI 304 or AISI 316), aluminum,
powder coating on each of RAL colours.

DUK ...B50-3000-15

Cat. No.	Symbol	Jm	Weight [kg/m]	Dim. A [mm]	Dim. B [mm]	Dim. L [mm]	
							3
789238	DUK 100B50-3000-15	3	mb	2,49	100	50	3000
789239	DUK 150B50-3000-15	3	mb	2,64	150	50	3000
789240	DUK 200B50-3000-15	3	mb	2,79	200	50	3000
789241	DUK 250B50-3000-15	3	mb	2,93	250	50	3000
789242	DUK 300B50-3000-15	3	mb	3,08	300	50	3000
789243	DUK 400B50-3000-15	3	mb	3,37	400	50	3000
789244	DUK 500B50-3000-15	3	mb	3,66	500	50	3000
789245	DUK 600B50-3000-15	3	mb	3,95	600	50	3000

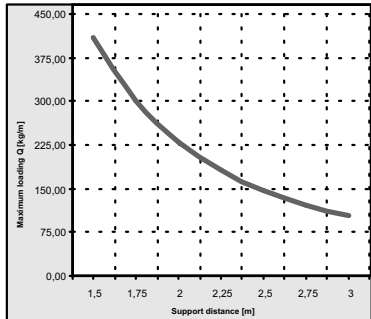
1,50



DUK ...B50-2000-20

Cat. No.	Symbol	Jm	Weight [kg/m]	Dim. A [mm]	Dim. B [mm]	Dim. L [mm]	
							2
790476	DUK 100B50-2000-20	2	mb	3,35	100	50	2000
790477	DUK 150B50-2000-20	2	mb	3,55	150	50	2000
790478	DUK 200B50-2000-20	2	mb	3,75	200	50	2000
790479	DUK 250B50-2000-20	2	mb	3,96	250	50	2000
790480	DUK 300B50-2000-20	2	mb	4,16	300	50	2000
790481	DUK 400B50-2000-20	2	mb	4,57	400	50	2000
790482	DUK 500B50-2000-20	2	mb	4,98	500	50	2000
790483	DUK 600B50-2000-20	2	mb	5,39	600	50	2000

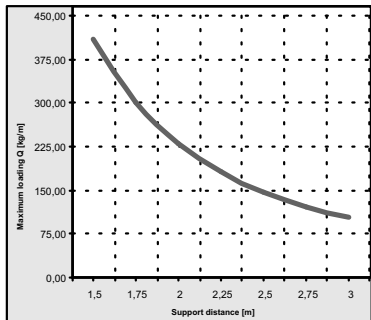
2,00



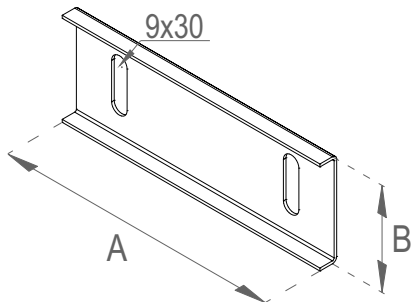
DUK ...B50-3000-20

Cat. No.	Symbol	Jm	Weight [kg/m]	Dim. A [mm]	Dim. B [mm]	Dim. L [mm]	
							3
789278	DUK 100B50-3000-20	3	mb	3,33	100	50	3000
789279	DUK 150B50-3000-20	3	mb	3,52	150	50	3000
789280	DUK 200B50-3000-20	3	mb	3,72	200	50	3000
789281	DUK 250B50-3000-20	3	mb	3,91	250	50	3000
789282	DUK 300B50-3000-20	3	mb	4,10	300	50	3000
789283	DUK 400B50-3000-20	3	mb	4,49	400	50	3000
789284	DUK 500B50-3000-20	3	mb	4,88	500	50	3000
789285	DUK 600B50-3000-20	3	mb	5,27	600	50	3000

2,00



LADDER CONNECTOR

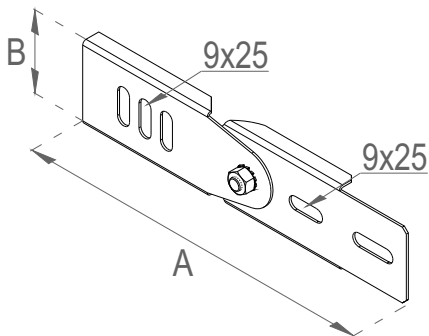


Application:
Connecting cable ladders.
For assembly use 2 sets of SGNKK M8x12.

Material:
Steel galvanized by Sendzimir method (EN 10327),
On request: hot deep galvanized steel (EN ISO 1461),
stainless steel (AISI 304 or AISI 316), aluminum,
powder coating on each of RAL colours.

LDD B50						
Cat. No.	Symbol	Jm	Weight [kg/pcs]	Dim. A [mm]	Dim. B [mm]	
783249	LDD B50	60 pcs.	0,15	150	54	

VERTICAL LADDER CONNECTOR

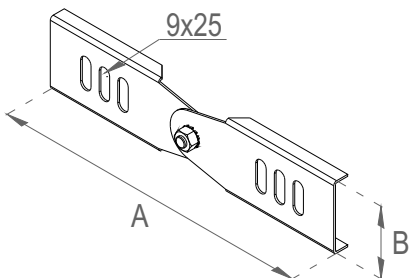


Application:
Connecting cable ladders.
For assembly use 2 sets of SGNKK M8x12.

Material:
Steel galvanized by Sendzimir method (EN 10327),
On request: hot deep galvanized steel (EN ISO 1461),
stainless steel (AISI 304 or AISI 316), aluminum,
powder coating on each of RAL colours.

LPNDD B50						
Cat. No.	Symbol	Jm	Weight [kg/pcs]	Dim. A [mm]	Dim. B [mm]	
783249	LPNDD B50	1 pcs.	0,21	240	54	

ADJUSTABLE LADDER CONNECTOR

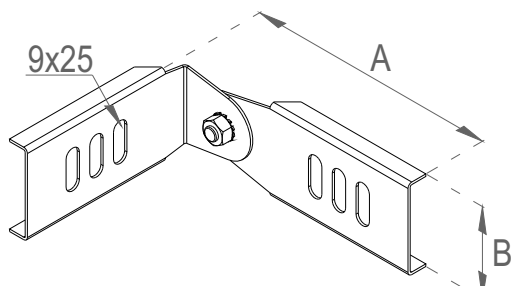


Application:
Vertical angle connection.
For assembly use 2 sets of SGNKK M8x12.

Material:
Steel galvanized by Sendzimir method (EN 10327),
On request: hot deep galvanized steel (EN ISO 1461),
stainless steel (AISI 304 or AISI 316), aluminum,
powder coating on each of RAL colours.

LPDD B50						
Cat. No.	Symbol	Jm	Weight [kg/pcs]	Dim. A [mm]	Dim. B [mm]	
783259	LPDD B50	1 pcs.	0,20	245	54	

SIDE ANGULAR LADDER CONNECTOR



Application:
Connecting cable ladders.
For assembly use 2 sets of SGNKK M8x12.

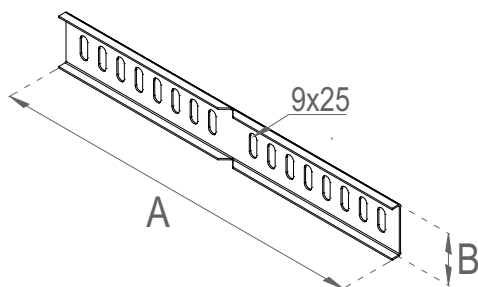
Material:
Steel galvanized by Sendzimir method (EN 10327),
On request: hot deep galvanized steel (EN ISO 1461),
stainless steel (AISI 304 or AISI 316), aluminum,
powder coating on each of RAL colours.

LKBDD B50

Cat. No.	Symbol		Jm	Weight	Dim.	Dim.
				(kg/pcs)	A [mm]	B [mm]
783264	LKBDD B50	1 pcs.	0,21	150	54	



ANGULAR LADDER CONNECTOR

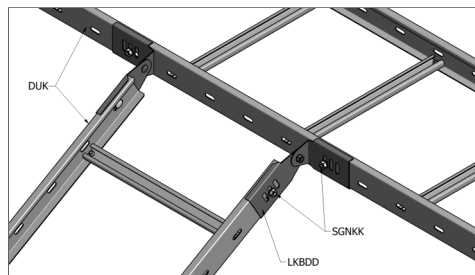
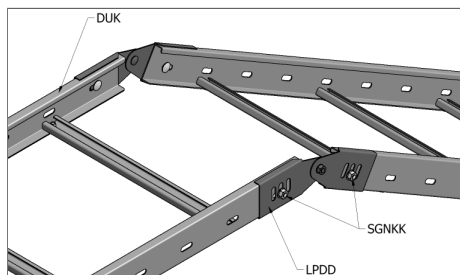


Application:
Horizontal angle connection.
For assembly use 2 sets of SGNKK M8x12.

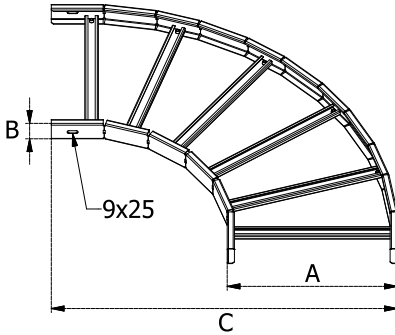
Material:
Steel galvanized by Sendzimir method (EN 10327),
On request: hot deep galvanized steel (EN ISO 1461),
stainless steel (AISI 304 or AISI 316), aluminum,
powder coating on each of RAL colours.

LKDD B50

Cat. No.	Symbol		Jm	Weight	Dim.	Dim.
				(kg/pcs)	A [mm]	B [mm]
783269	LKDD B50	1 pcs.	0,40	400	54	



LADDER HORIZONTAL BEND

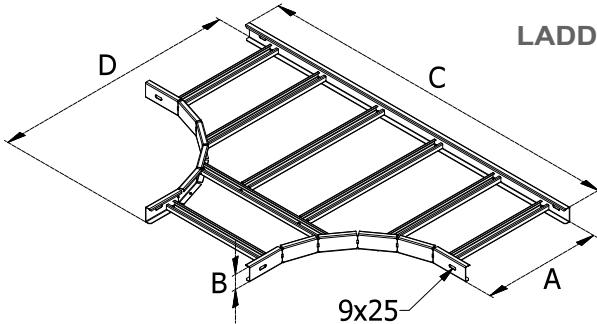


Application:
Horizontal change of direction of cable routes.

Material:
Steel galvanized by Sendzimir method (EN 10327),
On request: hot deep galvanized steel (EN ISO 1461),
stainless steel (AISI 304 or AISI 316), aluminum,
powder coating on each of RAL colours.

LDK . . . B50-15							
Cat. No.	Symbol		Jm	Weight (kg/pcs)	Dim. A [mm]	Dim. B [mm]	Dim. C [mm]
785498	LDK 100B50-15	1	pcs.	1,57	100	50	445
785499	LDK 150B50-15	1	pcs.	1,75	150	50	495
785500	LDK 200B50-15	1	pcs.	1,92	200	50	545
785501	LDK 250B50-15	1	pcs.	2,10	250	50	595
785502	LDK 300B50-15	1	pcs.	2,28	300	50	645
785503	LDK 400B50-15	1	pcs.	2,63	400	50	745
785504	LDK 500B50-15	1	pcs.	2,98	500	50	845
785505	LDK 600B50-15	1	pcs.	3,33	600	50	945

LDK . . . B50-20							
Cat. No.	Symbol		Jm	Weight (kg/pcs)	Dim. A [mm]	Dim. B [mm]	Dim. C [mm]
785538	LDK 100B50-20	1	pcs.	2,10	100	50	445
785539	LDK 150B50-20	1	pcs.	2,33	150	50	495
785540	LDK 200B50-20	1	pcs.	2,57	200	50	545
785541	LDK 250B50-20	1	pcs.	2,80	250	50	595
785542	LDK 300B50-20	1	pcs.	3,03	300	50	645
785543	LDK 400B50-20	1	pcs.	3,50	400	50	745
785544	LDK 500B50-20	1	pcs.	3,97	500	50	845
785545	LDK 600B50-20	1	pcs.	4,44	600	50	945



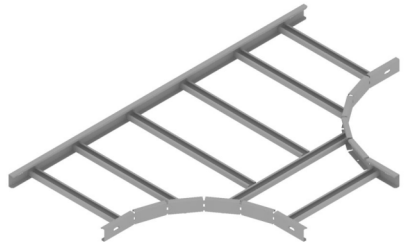
LADDER TEE

Application:
Branching out cable ladder.

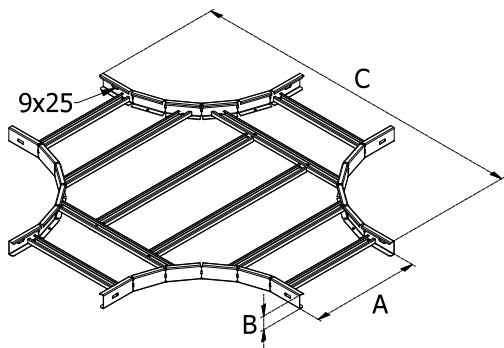
Material:
Steel galvanized by Sendzimir method (EN 10327),
On request: hot deep galvanized steel (EN ISO 1461),
stainless steel (AISI 304 or AISI 316), aluminum,
powder coating on each of RAL colours.

TDK . . . B50-15								
Cat. No.	Symbol		Jm	Weight (kg/pcs)	Dim. A [mm]	Dim. B [mm]	Dim. C [mm]	Dim. D [mm]
785578	TDK 100B50-15	1	pcs.	2,08	100	50	800	450
785579	TDK 150B50-15	1	pcs.	2,51	150	50	850	500
785580	TDK 200B50-15	1	pcs.	2,94	200	50	900	550
785581	TDK 250B50-15	1	pcs.	3,38	250	50	950	600
785582	TDK 300B50-15	1	pcs.	3,81	300	50	1000	650
785583	TDK 400B50-15	1	pcs.	4,67	400	50	1100	750
785584	TDK 500B50-15	1	pcs.	5,53	500	50	1200	850
785585	TDK 600B50-15	1	pcs.	6,39	600	50	1300	950

TDK . . . B50-20								
Cat. No.	Symbol		Jm	Weight (kg/pcs)	Dim. A [mm]	Dim. B [mm]	Dim. C [mm]	Dim. D [mm]
785618	TDK 100B50-20	1	pcs.	2,78	100	50	800	450
785619	TDK 150B50-20	1	pcs.	3,35	150	50	850	500
785620	TDK 200B50-20	1	pcs.	3,93	200	50	900	550
785621	TDK 250B50-20	1	pcs.	4,50	250	50	950	600
785622	TDK 300B50-20	1	pcs.	5,07	300	50	1000	650
785623	TDK 400B50-20	1	pcs.	6,22	400	50	1100	750
785624	TDK 500B50-20	1	pcs.	7,37	500	50	1200	850
785625	TDK 600B50-20	1	pcs.	8,52	600	50	1300	950



LADDER CROSS-OVER



Application:
Horizontal change of direction of cable routes.

Material:
Steel galvanized by Sendzimir method (EN 10327),
On request: hot deep galvanized steel (EN ISO 1461),
stainless steel (AISI 304 or AISI 316), aluminum,
powder coating on each of RAL colours.

CZDK ...B50-15

1,50	Cat. No.	Symbol		Jm	Weight [kg/pcs]	Dim. A [mm]	Dim. B [mm]	Dim. C [mm]
	785658	CZDK 100B50-15	1	pcs.	2,71	100	50	800
785659	CZDK 150B50-15	1	pcs.	3,27	150	50	850	
785660	CZDK 200B50-15	1	pcs.	3,83	200	50	900	
785661	CZDK 250B50-15	1	pcs.	4,39	250	50	950	
785662	CZDK 300B50-15	1	pcs.	4,95	300	50	1000	
785663	CZDK 400B50-15	1	pcs.	6,07	400	50	1100	
785664	CZDK 500B50-15	1	pcs.	7,18	500	50	1200	
785665	CZDK 600B50-15	1	pcs.	8,30	600	50	1300	

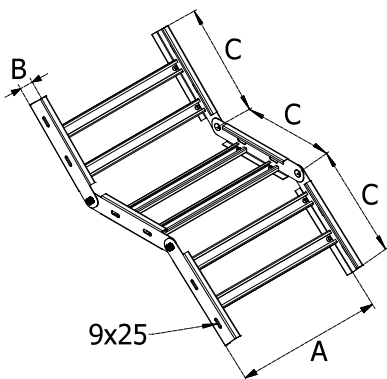
CZDK ...B50-20

2,00	Cat. No.	Symbol		Jm	Weight [kg/pcs]	Dim. A [mm]	Dim. B [mm]	Dim. C [mm]
	785698	CZDK 100B50-20	1	pcs.	3,61	100	50	800
785699	CZDK 150B50-20	1	pcs.	4,36	150	50	850	
785700	CZDK 200B50-20	1	pcs.	5,10	200	50	900	
785701	CZDK 250B50-20	1	pcs.	5,85	250	50	950	
785702	CZDK 300B50-20	1	pcs.	6,60	300	50	1000	
785703	CZDK 400B50-20	1	pcs.	8,09	400	50	1100	
785704	CZDK 500B50-20	1	pcs.	9,58	500	50	1200	
785705	CZDK 600B50-20	1	pcs.	11,07	600	50	1300	

B50



ADJUSTABLE VERTICAL BEND



Application:
Vertical change of direction of cable routes.

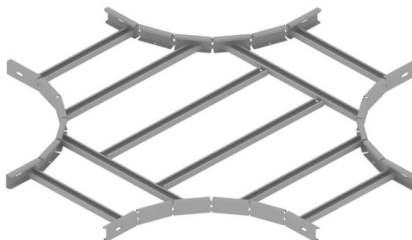
Material:
Steel galvanized by Sendzimir method (EN 10327),
On request: hot deep galvanized steel (EN ISO 1461),
stainless steel (AISI 304 or AISI 316), aluminum,
powder coating on each of RAL colours.

ZPD ...B50-15

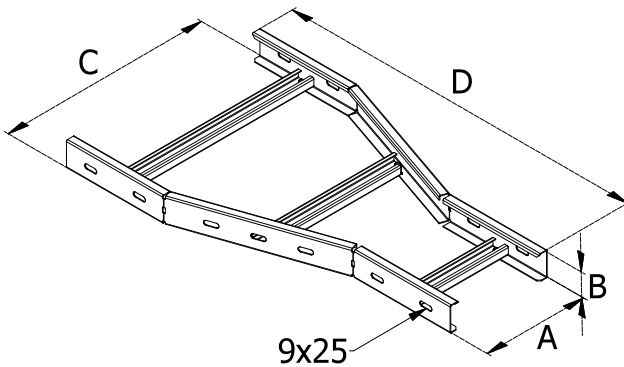
1,50	Cat. No.	Symbol		Jm	Weight [kg/pcs]	Dim. A [mm]	Dim. B [mm]	Dim. C [mm]
	785738	ZPD 100B50-15	1	pcs.	2,03	100	50	250
785739	ZPD 150B50-15	1	pcs.	2,28	150	50	250	
785740	ZPD 200B50-15	1	pcs.	2,52	200	50	250	
785741	ZPD 250B50-15	1	pcs.	2,77	250	50	250	
785742	ZPD 300B50-15	1	pcs.	3,02	300	50	250	
785743	ZPD 400B50-15	1	pcs.	3,52	400	50	250	
785744	ZPD 500B50-15	1	pcs.	4,01	500	50	250	
785745	ZPD 600B50-15	1	pcs.	4,51	600	50	250	

ZPD ...B50-20

2,00	Cat. No.	Symbol		Jm	Weight [kg/pcs]	Dim. A [mm]	Dim. B [mm]	Dim. C [mm]
	783216	ZPD 100B50-20	1	pcs.	2,70	100	50	250
783217	ZPD 150B50-20	1	pcs.	3,03	150	50	250	
783218	ZPD 200B50-20	1	pcs.	3,36	200	50	250	
783219	ZPD 250B50-20	1	pcs.	3,70	250	50	250	
783220	ZPD 300B50-20	1	pcs.	4,03	300	50	250	
783221	ZPD 400B50-20	1	pcs.	4,69	400	50	250	
783222	ZPD 500B50-20	1	pcs.	5,35	500	50	250	
783223	ZPD 600B50-20	1	pcs.	6,01	600	50	250	



SYMMETRIC LADDER REDUCTION

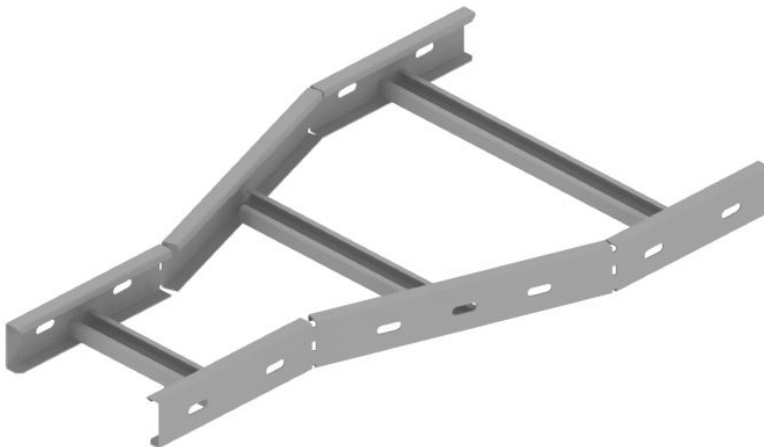


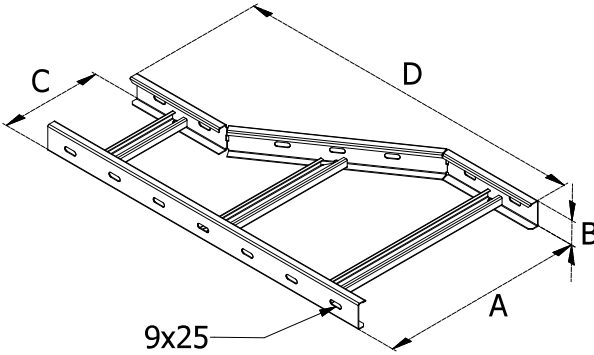
Application:
Reducing width of cable routes.

Material:
Steel galvanized by Sendzimir method (EN 10327),
On request: hot deep galvanized steel (EN ISO 1461),
stainless steel (AISI 304 or AISI 316), aluminum,
powder coating on each of RAL colours.

RD . . . B50-15									
1,50	Cat. No.	Symbol		Jm	Weight [kg/pcs]	Dim. A [mm]	Dim. B [mm]	Dim. C [mm]	Dim. D [mm]
	788998	RD 200/100B50-15	1	pcs.	1,85	200	50	100	690
	788999	RD 200/150B50-15	1	pcs.	1,89	200	50	150	690
	789000	RD 250/200B50-15	1	pcs.	1,99	250	50	200	690
	789001	RD 300/200B50-15	1	pcs.	2,06	300	50	200	690
	789002	RD 300/250B50-15	1	pcs.	2,10	300	50	250	690
	789003	RD 400/300B50-15	1	pcs.	2,27	400	50	300	690
	789004	RD 500/400B50-15	1	pcs.	2,49	500	50	400	690
	789005	RD 600/500B50-15	1	pcs.	2,70	600	50	500	690

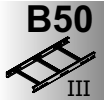
RD . . . B50-20									
2,00	Cat. No.	Symbol		Jm	Weight [kg/pcs]	Dim. A [mm]	Dim. B [mm]	Dim. C [mm]	Dim. D [mm]
	789038	RD 200/100B50-20	1	pcs.	2,46	200	50	100	690
	789039	RD 200/150B50-20	1	pcs.	2,51	200	50	150	690
	789040	RD 250/200B50-20	1	pcs.	2,66	250	50	200	690
	789041	RD 300/200B50-20	1	pcs.	2,75	300	50	200	690
	789042	RD 300/250B50-20	1	pcs.	2,80	300	50	250	690
	789043	RD 400/300B50-20	1	pcs.	3,03	400	50	300	690
	789044	RD 500/400B50-20	1	pcs.	3,32	500	50	400	690
	789045	RD 600/500B50-20	1	pcs.	3,60	600	50	500	690





Application:
Reducing width of cable routes.

Material:
Steel galvanized by Sendzimir method (EN 10327),
On request: hot deep galvanized steel (EN ISO 1461),
stainless steel (AISI 304 or AISI 316), aluminum,
powder coating on each of RAL colours.

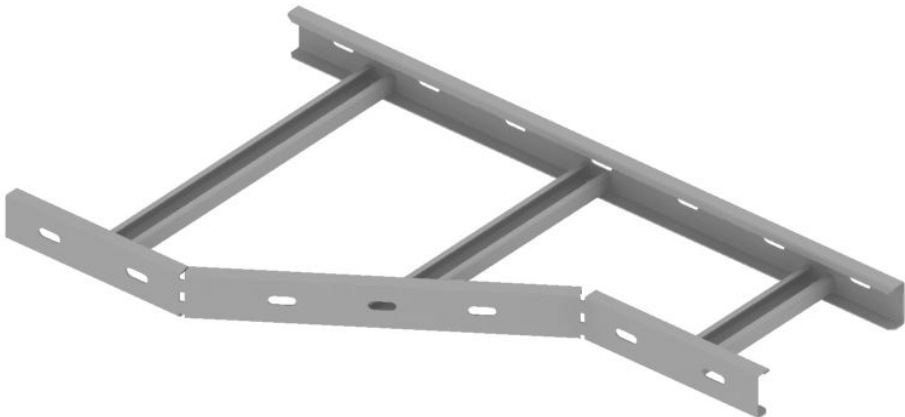


RDL ... B50-15

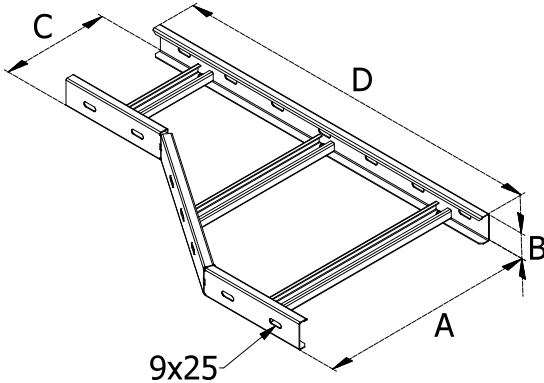
1,50	Cat. No.	Symbol		Jm	Weight	Dim.	Dim.	Dim.	Dim.
					[kg/pcs]	A [mm]	B [mm]	C [mm]	D [mm]
	789078	RDL 200/100B50-15	1	pcs.	1,85	200	50	100	690
	789079	RDL 200/150B50-15	1	pcs.	1,89	200	50	150	690
	789080	RDL 250/200B50-15	1	pcs.	1,99	250	50	200	690
	789081	RDL 300/200B50-15	1	pcs.	2,06	300	50	200	690
	789082	RDL 300/250B50-15	1	pcs.	2,10	300	50	250	690
	789083	RDL 400/300B50-15	1	pcs.	2,27	400	50	300	690
	789084	RDL 500/400B50-15	1	pcs.	2,49	500	50	400	690
	789085	RDL 600/500B50-15	1	pcs.	2,70	600	50	500	690

RDL ... B50-20

2,00	Cat. No.	Symbol		Jm	Weight	Dim.	Dim.	Dim.	Dim.
					[kg/pcs]	A [mm]	B [mm]	C [mm]	D [mm]
	789118	RDL 200/100B50-20	1	pcs.	2,46	200	50	100	690
	789119	RDL 200/150B50-20	1	pcs.	2,51	200	50	150	690
	789120	RDL 250/200B50-20	1	pcs.	2,66	250	50	200	690
	789121	RDL 300/200B50-20	1	pcs.	2,75	300	50	200	690
	789122	RDL 300/250B50-20	1	pcs.	2,80	300	50	250	690
	789123	RDL 400/300B50-20	1	pcs.	3,03	400	50	300	690
	789124	RDL 500/400B50-20	1	pcs.	3,32	500	50	400	690
	789125	RDL 600/500B50-20	1	pcs.	3,60	600	50	500	690



LADDER REDUCTION RIGHT

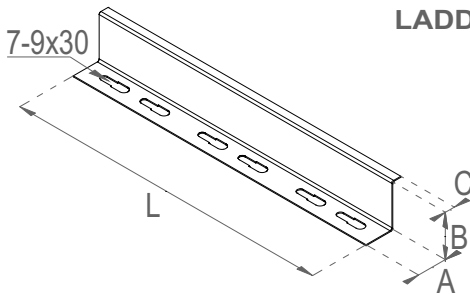


Application:
Reducing width of cable routes.

Material:
Steel galvanized by Sendzimir method (EN 10327),
On request: hot deep galvanized steel (EN ISO 1461),
stainless steel (AISI 304 or AISI 316), aluminum,
powder coating on each of RAL colours.

RDP...B50-15									
1,50	Cat. No.	Symbol		Jm	Weight [kg/pcs]	Dim. A [mm]	Dim. B [mm]	Dim. C [mm]	Dim. D [mm]
	789158	RDP 200/100B50-15	1	pcs.	1,85	200	50	100	690
	789159	RDP 200/150B50-15	1	pcs.	1,89	200	50	150	690
	789160	RDP 250/200B50-15	1	pcs.	1,99	250	50	200	690
	789161	RDP 300/200B50-15	1	pcs.	2,06	300	50	200	690
	789162	RDP 300/250B50-15	1	pcs.	2,10	300	50	250	690
	789163	RDP 400/300B50-15	1	pcs.	2,27	400	50	300	690
	789164	RDP 500/400B50-15	1	pcs.	2,49	500	50	400	690
	789165	RDP 600/500B50-15	1	pcs.	2,70	600	50	500	690

RDP...B50-20									
2,00	Cat. No.	Symbol		Jm	Weight [kg/pcs]	Dim. A [mm]	Dim. B [mm]	Dim. C [mm]	Dim. D [mm]
	789198	RDP 200/100B50-20	1	pcs.	2,46	200	50	100	690
	789199	RDP 200/150B50-20	1	pcs.	2,51	200	50	150	690
	789200	RDP 250/200B50-20	1	pcs.	2,66	250	50	200	690
	789201	RDP 300/200B50-20	1	pcs.	2,75	300	50	200	690
	789202	RDP 300/250B50-20	1	pcs.	2,80	300	50	250	690
	789203	RDP 400/300B50-20	1	pcs.	3,03	400	50	300	690
	789204	RDP 500/400B50-20	1	pcs.	3,32	500	50	400	690
	789205	RDP 600/500B50-20	1	pcs.	3,60	600	50	500	690



LADDER PARTITION

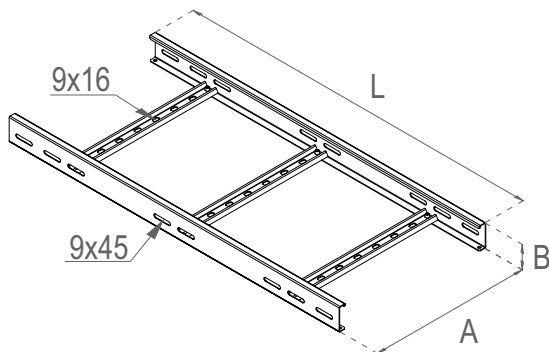
Application:
Cable tray dividing.

Material:
Steel galvanized by Sendzimir method (EN 10327),
On request: hot deep galvanized steel (EN ISO 1461),
stainless steel (AISI 304 or AISI 316), aluminum,
powder coating on each of RAL colours.

PDD...B50...									
0,55-2,00	Cat. No.	Symbol		Jm	Weight [kg/m]	Dim. A [mm]	Dim. B [mm]	Dim. C [mm]	Dim. L [mm]
	789481	PDD B50M-055	2	mb	0,32	40	30	10	2000
	789482	PDD B50-055	2	mb	0,32	40	30	10	2000
	789487	PDD B50M-075	3	mb	0,44	40	30	10	3000
	789488	PDD B50-075	3	mb	0,44	40	30	10	3000
	789497	PDD B50M-10	3	mb	0,57	40	30	10	3000
	789498	PDD B50-10	3	mb	0,57	40	30	10	3000
	789507	PDD B50M-15	3	mb	0,84	40	30	10	3000
	789508	PDD B50-15	3	mb	0,84	40	30	10	3000
	789515	PDD B50M-20	3	mb	1,09	40	30	10	3000
	789516	PDD B50-20	3	mb	1,09	40	30	10	3000

Attention: The symbol of the partition containing the M means the partition installed in the ladder.

CABLE LADDER



Application:
Cable routing

Material:
Steel galvanized by Sendzimir method (EN 10327).
On request: hot deep galvanized steel (EN ISO 1461),
stainless steel (AISI 304 or AISI 316), aluminum,
powder coating on each of RAL colours.

DKN ...B60-2000-12

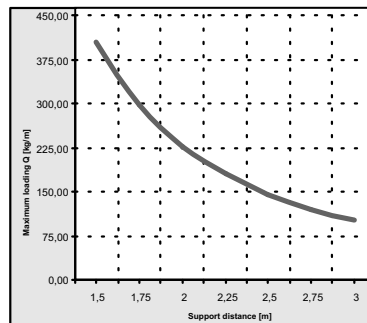
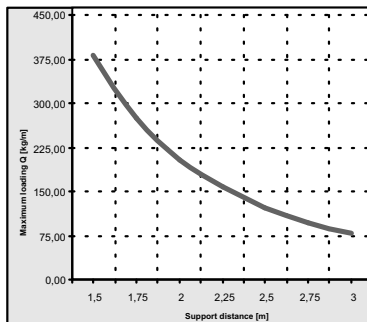
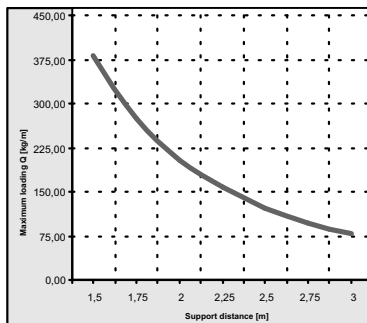
1,20	Cat. No.	Symbol		Jm	Weight [kg/m]	Dim. A [mm]	Dim. B [mm]	Dim. L [mm]
	790623	DKN 100B60-2000-12	2	mb	1,93	100	60	2000
790624	DKN 150B60-2000-12	2	mb	2,02	150	60	2000	
790625	DKN 200B60-2000-12	2	mb	2,12	200	60	2000	
790626	DKN 250B60-2000-12	2	mb	2,21	250	60	2000	
790627	DKN 300B60-2000-12	2	mb	2,30	300	60	2000	
790628	DKN 400B60-2000-12	2	mb	2,49	400	60	2000	
790629	DKN 500B60-2000-12	2	mb	2,67	500	60	2000	
790630	DKN 600B60-2000-12	2	mb	2,86	600	60	2000	

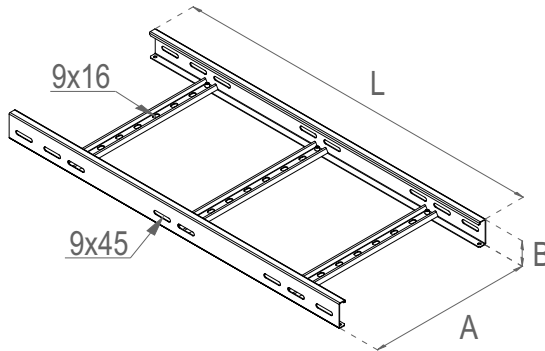
DKN ...B60-3000-12

1,20	Cat. No.	Symbol		Jm	Weight [kg/m]	Dim. A [mm]	Dim. B [mm]	Dim. L [mm]
	790727	DKN 100B60-3000-12	3	mb	1,92	100	60	3000
790728	DKN 150B60-3000-12	3	mb	2,01	150	60	3000	
790729	DKN 200B60-3000-12	3	mb	2,10	200	60	3000	
790730	DKN 250B60-3000-12	3	mb	2,19	250	60	3000	
790731	DKN 300B60-3000-12	3	mb	2,28	300	60	3000	
790732	DKN 400B60-3000-12	3	mb	2,45	400	60	3000	
790733	DKN 500B60-3000-12	3	mb	2,63	500	60	3000	
790734	DKN 600B60-3000-12	3	mb	2,80	600	60	3000	

DKN ...B60-2000-15

1,50	Cat. No.	Symbol		Jm	Weight [kg/m]	Dim. A [mm]	Dim. B [mm]	Dim. L [mm]
	790647	DKN 100B60-2000-15	2	mb	2,41	100	60	2000
790648	DKN 150B60-2000-15	2	mb	2,53	150	60	2000	
790649	DKN 200B60-2000-15	2	mb	2,65	200	60	2000	
790650	DKN 250B60-2000-15	2	mb	2,76	250	60	2000	
790651	DKN 300B60-2000-15	2	mb	2,88	300	60	2000	
790652	DKN 400B60-2000-15	2	mb	3,11	400	60	2000	
790653	DKN 500B60-2000-15	2	mb	3,34	500	60	2000	
790654	DKN 600B60-2000-15	2	mb	3,57	600	60	2000	



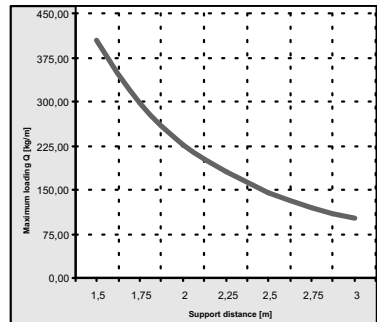


Application:
Cable routing

Material:
Steel galvanized by Sendzimir method (EN 10327),
On request: hot deep galvanized steel (EN ISO 1461),
stainless steel (AISI 304 or AISI 316), aluminum,
powder coating on each of RAL colours.

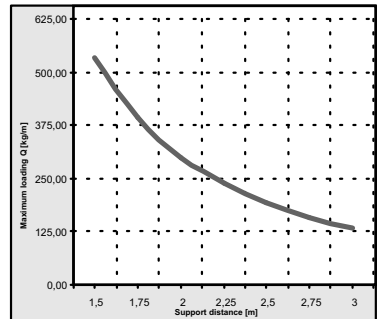
DKN ...B60-3000-15

1,50	Cat. No.	Symbol		Jm	Weight [kg/m]	Dim. A [mm]	Dim. B [mm]	Dim. L [mm]
	790751	DKN 100B60-3000-15	3	mb	2,40	100	60	3000
790752	DKN 150B60-3000-15	3	mb	2,51	150	60	3000	
790753	DKN 200B60-3000-15	3	mb	2,62	200	60	3000	
790754	DKN 250B60-3000-15	3	mb	2,73	250	60	3000	
790755	DKN 300B60-3000-15	3	mb	2,84	300	60	3000	
790756	DKN 400B60-3000-15	3	mb	3,06	400	60	3000	
790757	DKN 500B60-3000-15	3	mb	3,28	500	60	3000	
790758	DKN 600B60-3000-15	3	mb	3,50	600	60	3000	



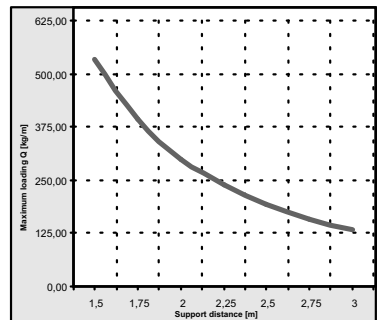
DKN ...B60-2000-20

2,00	Cat. No.	Symbol		Jm	Weight [kg/m]	Dim. A [mm]	Dim. B [mm]	Dim. L [mm]
	790687	DKN 100B60-2000-20	2	mb	3,22	100	60	2000
790688	DKN 150B60-2000-20	2	mb	3,37	150	60	2000	
790689	DKN 200B60-2000-20	2	mb	3,53	200	60	2000	
790690	DKN 250B60-2000-20	2	mb	3,68	250	60	2000	
790691	DKN 300B60-2000-20	2	mb	3,84	300	60	2000	
790692	DKN 400B60-2000-20	2	mb	4,14	400	60	2000	
790693	DKN 500B60-2000-20	2	mb	4,45	500	60	2000	
790694	DKN 600B60-2000-20	2	mb	4,76	600	60	2000	

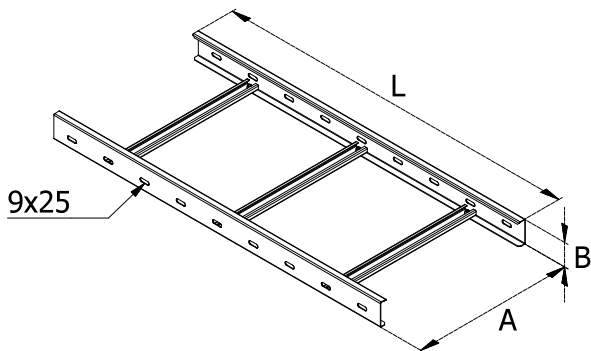


DKN ...B60-3000-20

2,00	Cat. No.	Symbol		Jm	Weight [kg/m]	Dim. A [mm]	Dim. B [mm]	Dim. L [mm]
	790791	DKN 100B60-3000-20	3	mb	3,20	100	60	3000
790792	DKN 150B60-3000-20	3	mb	3,35	150	60	3000	
790793	DKN 200B60-3000-20	3	mb	3,50	200	60	3000	
790794	DKN 250B60-3000-20	3	mb	3,64	250	60	3000	
790795	DKN 300B60-3000-20	3	mb	3,79	300	60	3000	
790796	DKN 400B60-3000-20	3	mb	4,08	400	60	3000	
790797	DKN 500B60-3000-20	3	mb	4,38	500	60	3000	
790798	DKN 600B60-3000-20	3	mb	4,67	600	60	3000	



CABLE LADDER

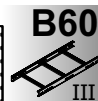
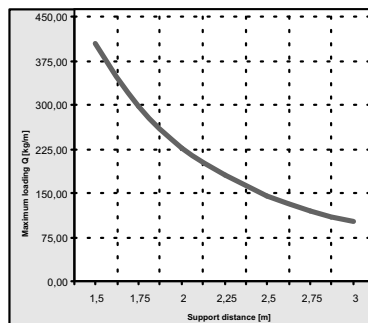


Application:
Cable routing

Material:
Steel galvanized by Sendzimir method (EN 10327),
On request: hot deep galvanized steel (EN ISO 1461),
stainless steel (AISI 304 or AISI 316), aluminum,
powder coating on each of RAL colours.

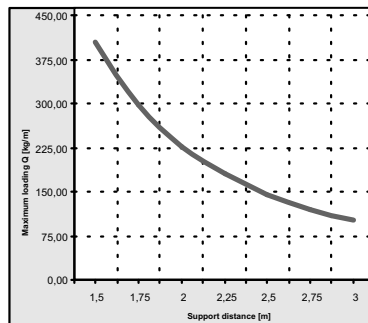
DUK ...B60-2000-12

1,20	Cat. No.	Symbol		Jm	Weight [kg/m]	Dim. A [mm]	Dim. B [mm]	Dim. L [mm]
	790420	DUK 100B60-2000-12	2	mb	2,18	100	60	2000
790421	DUK 150B60-2000-12	2	mb	2,30	150	60	2000	
790422	DUK 200B60-2000-12	2	mb	2,43	200	60	2000	
790423	DUK 250B60-2000-12	2	mb	2,55	250	60	2000	
790424	DUK 300B60-2000-12	2	mb	2,67	300	60	2000	
790425	DUK 400B60-2000-12	2	mb	2,92	400	60	2000	
790426	DUK 500B60-2000-12	2	mb	3,16	500	60	2000	
790427	DUK 600B60-2000-12	2	mb	3,41	600	60	2000	



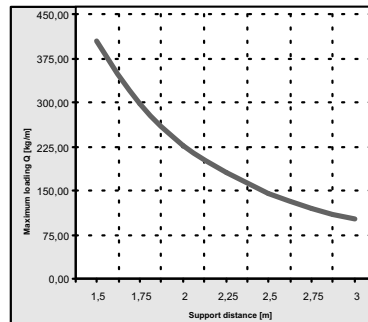
DUK ...B60-3000-12

1,20	Cat. No.	Symbol		Jm	Weight [kg/m]	Dim. A [mm]	Dim. B [mm]	Dim. L [mm]
	789850	DUK 100B60-3000-12	3	mb	2,17	100	60	3000
789851	DUK 150B60-3000-12	3	mb	2,29	150	60	3000	
789852	DUK 200B60-3000-12	3	mb	2,40	200	60	3000	
789853	DUK 250B60-3000-12	3	mb	2,52	250	60	3000	
789854	DUK 300B60-3000-12	3	mb	2,64	300	60	3000	
789855	DUK 400B60-3000-12	3	mb	2,87	400	60	3000	
789856	DUK 500B60-3000-12	3	mb	3,10	500	60	3000	
789857	DUK 600B60-3000-12	3	mb	3,36	600	60	3000	

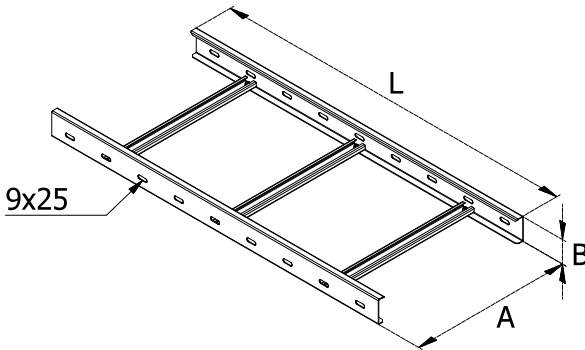


DUK ...B60-2000-15

1,50	Cat. No.	Symbol		Jm	Weight [kg/m]	Dim. A [mm]	Dim. B [mm]	Dim. L [mm]
	790444	DUK 100B60-2000-15	2	mb	2,73	100	60	2000
790445	DUK 150B60-2000-15	2	mb	2,88	150	60	2000	
790446	DUK 200B60-2000-15	2	mb	3,03	200	60	2000	
790447	DUK 250B60-2000-15	2	mb	3,19	250	60	2000	
790448	DUK 300B60-2000-15	2	mb	3,34	300	60	2000	
790449	DUK 400B60-2000-15	2	mb	3,64	400	60	2000	
790450	DUK 500B60-2000-15	2	mb	3,95	500	60	2000	
790451	DUK 600B60-2000-15	2	mb	4,26	600	60	2000	



CABLE LADDER

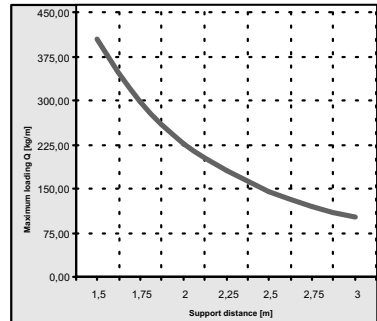


Application:
Cable routing

Material:
Steel galvanized by Sendzimir method (EN 10327).
On request: hot deep galvanized steel (EN ISO 1461),
stainless steel (AISI 304 or AISI 316), aluminum,
powder coating on each of RAL colours.

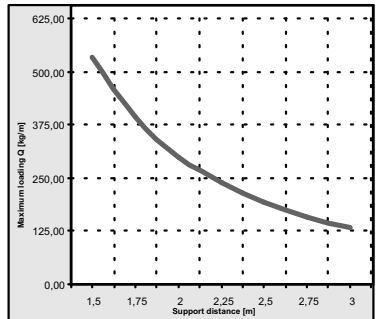
DUK . . .B60-3000-15

1,50	Cat. No.	Symbol		Jm	Weight [kg/m]	Dim. A [mm]	Dim. B [mm]	Dim. L [mm]
	789246	DUK 100B60-3000-15	3	mb	2,71	100	60	3000
	789247	DUK 150B60-3000-15	3	mb	2,86	150	60	3000
	789248	DUK 200B60-3000-15	3	mb	3,00	200	60	3000
	789249	DUK 250B60-3000-15	3	mb	3,15	250	60	3000
	789250	DUK 300B60-3000-15	3	mb	3,29	300	60	3000
	789251	DUK 400B60-3000-15	3	mb	3,59	400	60	3000
	789252	DUK 500B60-3000-15	3	mb	3,88	500	60	3000
	789253	DUK 600B60-3000-15	3	mb	4,17	600	60	3000



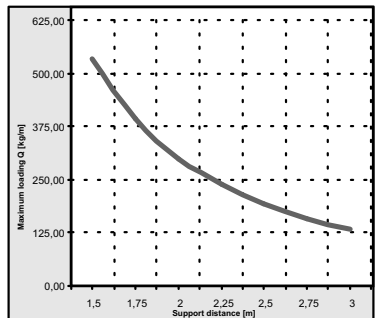
DUK . . .B60-2000-20

2,00	Cat. No.	Symbol		Jm	Weight [kg/m]	Dim. A [mm]	Dim. B [mm]	Dim. L [mm]
	790484	DUK 100B60-2000-20	2	mb	3,63	100	60	2000
	790485	DUK 150B60-2000-20	2	mb	3,84	150	60	2000
	790486	DUK 200B60-2000-20	2	mb	4,04	200	60	2000
	790487	DUK 250B60-2000-20	2	mb	4,25	250	60	2000
	790488	DUK 300B60-2000-20	2	mb	4,45	300	60	2000
	790489	DUK 400B60-2000-20	2	mb	4,86	400	60	2000
	790490	DUK 500B60-2000-20	2	mb	5,27	500	60	2000
	790491	DUK 600B60-2000-20	2	mb	5,68	600	60	2000

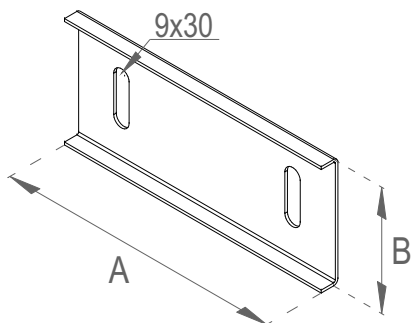


DUK . . .B60-3000-20

2,00	Cat. No.	Symbol		Jm	Weight [kg/m]	Dim. A [mm]	Dim. B [mm]	Dim. L [mm]
	789286	DUK 100B60-3000-20	3	mb	3,61	100	60	3000
	789287	DUK 150B60-3000-20	3	mb	3,81	150	60	3000
	789288	DUK 200B60-3000-20	3	mb	4,00	200	60	3000
	789289	DUK 250B60-3000-20	3	mb	4,20	250	60	3000
	789290	DUK 300B60-3000-20	3	mb	4,39	300	60	3000
	789291	DUK 400B60-3000-20	3	mb	4,78	400	60	3000
	789292	DUK 500B60-3000-20	3	mb	5,17	500	60	3000
	789293	DUK 600B60-3000-20	3	mb	5,56	600	60	3000



LADDER CONNECTOR



Application:
Connecting cable ladders.
For assembly use 2 sets of SGNKK M8x12.

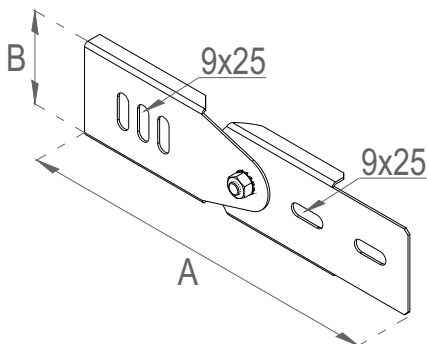
Material:
Steel galvanized by Sendzimir method (EN 10327),
On request: hot deep galvanized steel (EN ISO 1461),
stainless steel (AISI 304 or AISI 316), aluminum,
powder coating on each of RAL colours.

LDD B60

Cat. No.	Symbol	Jm	Weight [kg/pcs]	Dim. A [mm]	Dim. B [mm]
783250	LDD B60	60 pcs.	0,17	150	64



VERTICAL LADDER CONNECTOR



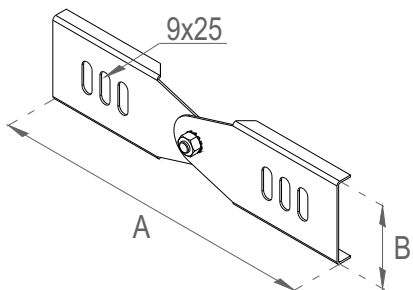
Application:
Connecting cable ladders.
For assembly use 2 sets of SGNKK M8x12.

Material:
Steel galvanized by Sendzimir method (EN 10327),
On request: hot deep galvanized steel (EN ISO 1461),
stainless steel (AISI 304 or AISI 316), aluminum,
powder coating on each of RAL colours.

LPNDD B60

Cat. No.	Symbol	Jm	Weight [kg/pcs]	Dim. A [mm]	Dim. B [mm]
783255	LPNDD B60	1 pcs.	0,25	255	64

ADJUSTABLE LADDER CONNECTOR



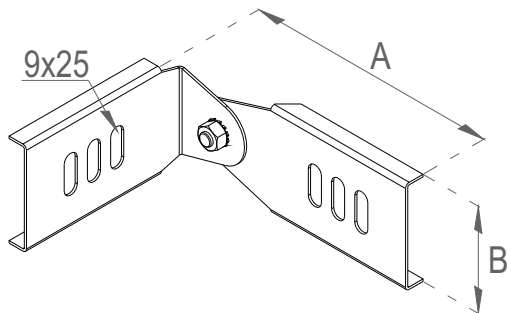
Application:
Connecting cable ladders.
For assembly use 2 sets of SGNKK M8x12.

Material:
Steel galvanized by Sendzimir method (EN 10327),
On request: hot deep galvanized steel (EN ISO 1461),
stainless steel (AISI 304 or AISI 316), aluminum,
powder coating on each of RAL colours.

LPDD B60

Cat. No.	Symbol	Jm	Weight [kg/pcs]	Dim. A [mm]	Dim. B [mm]
783260	LPDD B60	1 pcs.	0,23	255	64

SIDE ANGULAR LADDER CONNECTOR

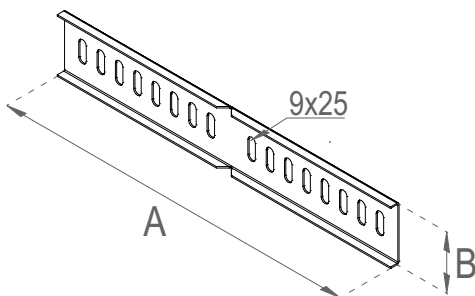


Application:
Connecting cable ladders.
For assembly use 2 sets of SGNKK M8x12.

Material:
Steel galvanized by Sendzimir method (EN 10327),
On request: hot deep galvanized steel (EN ISO 1461),
stainless steel (AISI 304 or AISI 316), aluminum,
powder coating on each of RAL colours.

LKBDD B60						
Cat. No.	Symbol	Jm	Weight [kg/pcs]	Dim. A [mm]	Dim. B [mm]	
783265	LKBDD B60	1 pcs.	0,24	155	64	

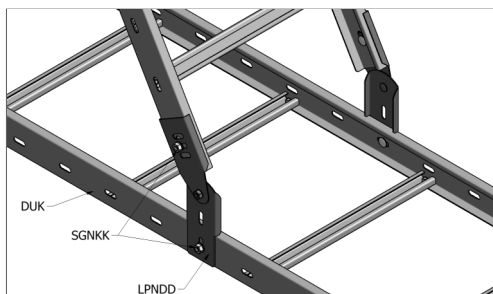
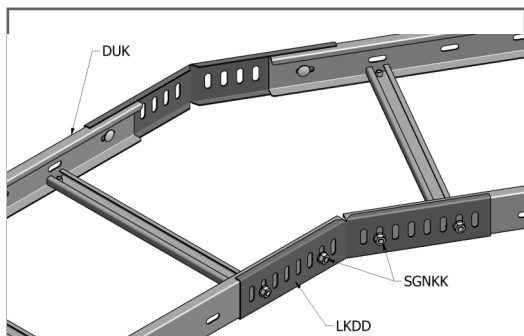
ANGULAR LADDER CONNECTOR



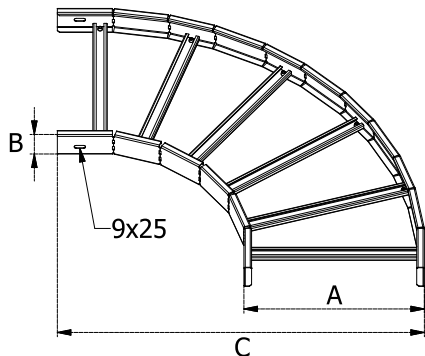
Application:
Horizontal angle connection.
For assembly use 2 sets of SGNKK M8x12.

Material:
Steel galvanized by Sendzimir method (EN 10327),
On request: hot deep galvanized steel (EN ISO 1461),
stainless steel (AISI 304 or AISI 316), aluminum,
powder coating on each of RAL colours.

LKDD B60						
Cat. No.	Symbol	Jm	Weight [kg/pcs]	Dim. A [mm]	Dim. B [mm]	
783270	LKDD B60	1 pcs.	0,46	400	64	



LADDER HORIZONTAL BEND



Application:
Horizontal change of direction of cable routes.

Material:
Steel galvanized by Sendzimir method (EN 10327),
On request: hot deep galvanized steel (EN ISO 1461),
stainless steel (AISI 304 or AISI 316), aluminum,
powder coating on each of RAL colours.

LDK...B60-15

1,50	Cat. No.	Symbol	Jm	Weight [kg/pcs]	Dim. A [mm]	Dim. B [mm]	Dim. C [mm]
	785506	LDK 100B60-15	1 pcs.	1,73	100	60	445
785507	LDK 150B60-15	1 pcs.	1,91	150	60	495	
785508	LDK 200B60-15	1 pcs.	2,09	200	60	545	
785509	LDK 250B60-15	1 pcs.	2,27	250	60	595	
785510	LDK 300B60-15	1 pcs.	2,46	300	60	645	
785511	LDK 400B60-15	1 pcs.	2,82	400	60	745	
785512	LDK 500B60-15	1 pcs.	3,18	500	60	845	
785513	LDK 600B60-15	1 pcs.	3,54	600	60	945	

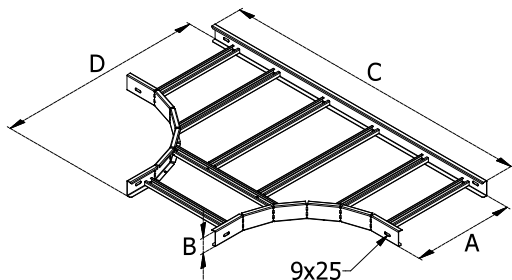
LDK...B60-20

2,00	Cat. No.	Symbol	Jm	Weight [kg/pcs]	Dim. A [mm]	Dim. B [mm]	Dim. C [mm]
	785546	LDK 100B60-20	1 pcs.	2,31	100	60	445
785547	LDK 150B60-20	1 pcs.	2,55	150	60	495	
785548	LDK 200B60-20	1 pcs.	2,79	200	60	545	
785549	LDK 250B60-20	1 pcs.	3,03	250	60	595	
785550	LDK 300B60-20	1 pcs.	3,27	300	60	645	
785551	LDK 400B60-20	1 pcs.	3,76	400	60	745	
785552	LDK 500B60-20	1 pcs.	4,24	500	60	845	
785553	LDK 600B60-20	1 pcs.	4,72	600	60	945	

B60



LADDER TEE



Application:
Branching out cable ladder.

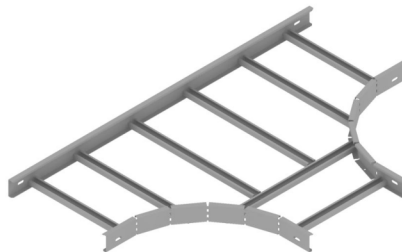
Material:
Steel galvanized by Sendzimir method (EN 10327),
On request: hot deep galvanized steel (EN ISO 1461),
stainless steel (AISI 304 or AISI 316), aluminum,
powder coating on each of RAL colours.

TDK...B60-15

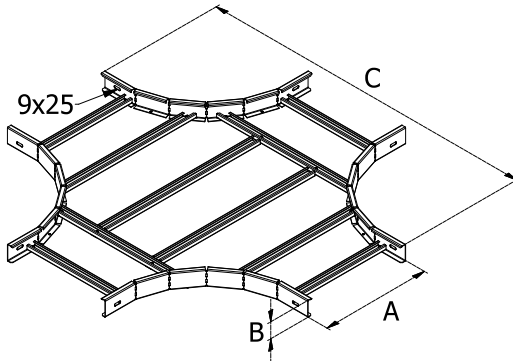
1,50	Cat. No.	Symbol	Jm	Weight [kg/pcs]	Dim. A [mm]	Dim. B [mm]	Dim. C [mm]	Dim. D [mm]
	785586	TDK 100B60-15	1 pcs.	2,30	100	60	800	450
785587	TDK 150B60-15	1 pcs.	2,77	150	60	850	500	
785588	TDK 200B60-15	1 pcs.	3,23	200	60	900	550	
785589	TDK 250B60-15	1 pcs.	3,70	250	60	950	600	
785590	TDK 300B60-15	1 pcs.	4,17	300	60	1000	650	
785591	TDK 400B60-15	1 pcs.	5,10	400	60	1100	750	
785592	TDK 500B60-15	1 pcs.	6,03	500	60	1200	850	
785593	TDK 600B60-15	1 pcs.	6,96	600	60	1300	950	

TDK...B60-20

2,00	Cat. No.	Symbol	Jm	Weight [kg/pcs]	Dim. A [mm]	Dim. B [mm]	Dim. C [mm]	Dim. D [mm]
	785626	TDK 100B60-20	1 pcs.	3,07	100	60	800	450
785627	TDK 150B60-20	1 pcs.	3,69	150	60	850	500	
785628	TDK 200B60-20	1 pcs.	4,31	200	60	900	550	
785629	TDK 250B60-20	1 pcs.	4,93	250	60	950	600	
785630	TDK 300B60-20	1 pcs.	5,55	300	60	1000	650	
785631	TDK 400B60-20	1 pcs.	6,80	400	60	1100	750	
785632	TDK 500B60-20	1 pcs.	8,04	500	60	1200	850	
785633	TDK 600B60-20	1 pcs.	9,28	600	60	1300	950	



LADDER CROSS-OVER



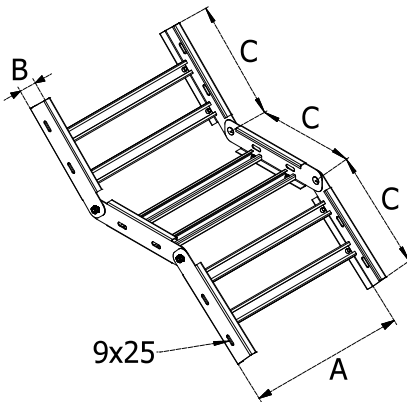
Application:
Horizontal change of direction of cable routes.

Material:
Steel galvanized by Sendzimir method (EN 10327),
On request: hot deep galvanized steel (EN ISO 1461),
stainless steel (AISI 304 or AISI 316), aluminum,
powder coating on each of RAL colours.

CZDK . . .B60-15								
1,50	Cat. No.	Symbol		Jm	Weight [kg/pcs]	Dim. A [mm]	Dim. B [mm]	Dim. C [mm]
	785666	CZDK 100B60-15	1	pcs.	2,99	100	60	800
	785667	CZDK 150B60-15	1	pcs.	3,60	150	60	850
	785668	CZDK 200B60-15	1	pcs.	4,20	200	60	900
	785669	CZDK 250B60-15	1	pcs.	4,81	250	60	950
	785670	CZDK 300B60-15	1	pcs.	5,41	300	60	1000
	785671	CZDK 400B60-15	1	pcs.	6,63	400	60	1100
	785672	CZDK 500B60-15	1	pcs.	7,84	500	60	1200
	785673	CZDK 600B60-15	1	pcs.	9,05	600	60	1300

CZDK . . .B60-20								
2,00	Cat. No.	Symbol		Jm	Weight [kg/pcs]	Dim. A [mm]	Dim. B [mm]	Dim. C [mm]
	785706	CZDK 100B60-20	1	pcs.	3,99	100	60	800
	785707	CZDK 150B60-20	1	pcs.	4,80	150	60	850
	785708	CZDK 200B60-20	1	pcs.	5,60	200	60	900
	785709	CZDK 250B60-20	1	pcs.	6,41	250	60	950
	785710	CZDK 300B60-20	1	pcs.	7,22	300	60	1000
	785711	CZDK 400B60-20	1	pcs.	8,84	400	60	1100
	785712	CZDK 500B60-20	1	pcs.	10,45	500	60	1200
	785713	CZDK 600B60-20	1	pcs.	12,07	600	60	1300

ADJUSTABLE VERTICAL BEND



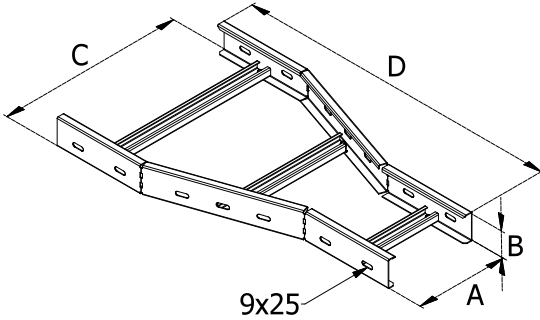
Application:
Vertical change of direction of cable routes.

Material:
Steel galvanized by Sendzimir method (EN 10327),
On request: hot deep galvanized steel (EN ISO 1461),
stainless steel (AISI 304 or AISI 316), aluminum,
powder coating on each of RAL colours.

ZPD . . .B60-15								
1,50	Cat. No.	Symbol		Jm	Weight [kg/pcs]	Dim. A [mm]	Dim. B [mm]	Dim. C [mm]
	785746	ZPD 100B60-15	1	pcs.	2,21	100	60	250
	785747	ZPD 150B60-15	1	pcs.	2,46	150	60	250
	785748	ZPD 200B60-15	1	pcs.	2,70	200	60	250
	785749	ZPD 250B60-15	1	pcs.	2,95	250	60	250
	785750	ZPD 300B60-15	1	pcs.	3,20	300	60	250
	785751	ZPD 400B60-15	1	pcs.	3,70	400	60	250
	785752	ZPD 500B60-15	1	pcs.	4,19	500	60	250
	785753	ZPD 600B60-15	1	pcs.	4,69	600	60	250

ZPD . . .B60-20								
2,00	Cat. No.	Symbol		Jm	Weight [kg/pcs]	Dim. A [mm]	Dim. B [mm]	Dim. C [mm]
	783224	ZPD 100B60-20	1	pcs.	2,94	100	60	250
	783225	ZPD 150B60-20	1	pcs.	3,27	150	60	250
	783226	ZPD 200B60-20	1	pcs.	3,60	200	60	250
	783227	ZPD 250B60-20	1	pcs.	3,94	250	60	250
	783228	ZPD 300B60-20	1	pcs.	4,27	300	60	250
	783229	ZPD 400B60-20	1	pcs.	4,93	400	60	250
	783230	ZPD 500B60-20	1	pcs.	5,59	500	60	250
	783231	ZPD 600B60-20	1	pcs.	6,25	600	60	250

SYMMETRIC LADDER REDUCTION



Application:
Reducing width of cable routes.

Material:
Steel galvanized by Sendzimir method (EN 10327),
On request: hot deep galvanized steel (EN ISO 1461),
stainless steel (AISI 304 or AISI 316), aluminum,
powder coating on each of RAL colours.

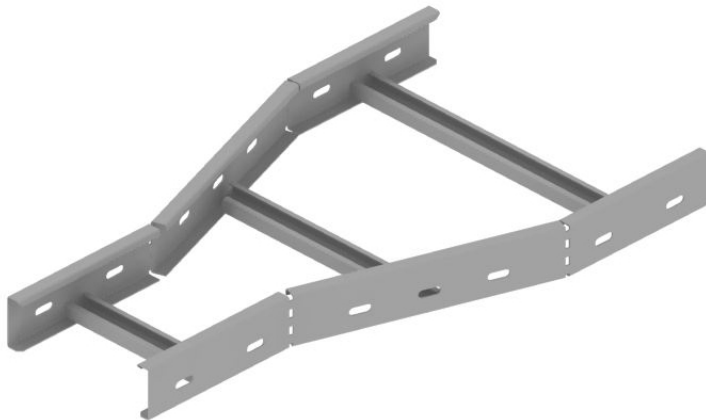


RD...B60-15

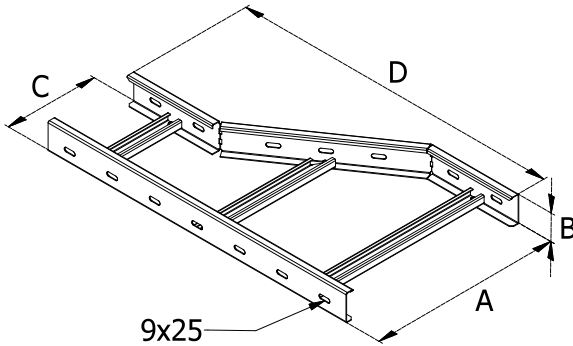
Cat. No.	Symbol	Jm	Weight [kg/pcs]	Dim. A [mm]	Dim. B [mm]	Dim. C [mm]	Dim. D [mm]
789006	RD 200/100B60-15	1	2,00	200	60	100	690
789007	RD 200/150B60-15	1	2,04	200	60	150	690
789008	RD 250/200B60-15	1	2,15	250	60	200	690
789009	RD 300/200B60-15	1	2,21	300	60	200	690
789010	RD 300/250B60-15	1	2,25	300	60	250	690
789011	RD 400/300B60-15	1	2,43	400	60	300	690
789012	RD 500/400B60-15	1	2,64	500	60	400	690
789013	RD 600/500B60-15	1	2,86	600	60	500	690

RD...B60-20

Cat. No.	Symbol	Jm	Weight [kg/pcs]	Dim. A [mm]	Dim. B [mm]	Dim. C [mm]	Dim. D [mm]
789046	RD 200/100B60-20	1	2,67	200	60	100	690
789047	RD 200/150B60-20	1	2,72	200	60	150	690
789048	RD 250/200B60-20	1	2,86	250	60	200	690
789049	RD 300/200B60-20	1	2,95	300	60	200	690
789050	RD 300/250B60-20	1	3,00	300	60	250	690
789051	RD 400/300B60-20	1	3,24	400	60	300	690
789052	RD 500/400B60-20	1	3,52	500	60	400	690
789053	RD 600/500B60-20	1	3,81	600	60	500	690



LADDER REDUCTION LEFT

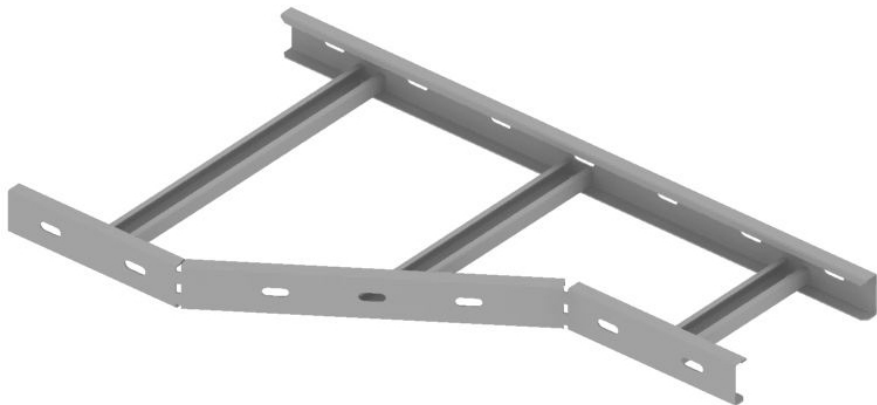


Application:
Reducing width of cable routes.

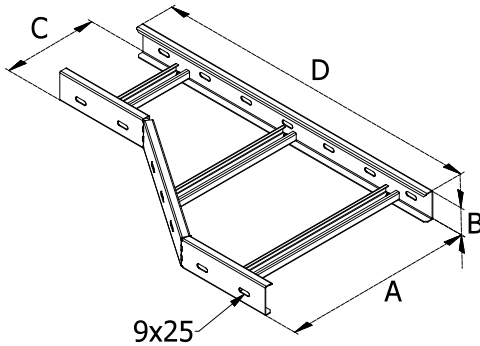
Material:
Steel galvanized by Sendzimir method (EN 10327),
On request: hot deep galvanized steel (EN ISO 1461),
stainless steel (AISI 304 or AISI 316), aluminum,
powder coating on each of RAL colours.

RDL . . . B60-15									
1,50	Cat. No.	Symbol		Jm	Weight [kg/pcs]	Dim. A [mm]	Dim. B [mm]	Dim. C [mm]	Dim. D [mm]
	789086	RDL 200/100B60-15	1	pcs.	2,00	200	60	100	690
	789087	RDL 200/150B60-15	1	pcs.	2,04	200	60	150	690
	789088	RDL 250/200B60-15	1	pcs.	2,15	250	60	200	690
	789089	RDL 300/200B60-15	1	pcs.	2,21	300	60	200	690
	789090	RDL 300/250B60-15	1	pcs.	2,25	300	60	250	690
	789091	RDL 400/300B60-15	1	pcs.	2,43	400	60	300	690
	789092	RDL 500/400B60-15	1	pcs.	2,64	500	60	400	690
	789093	RDL 600/500B60-15	1	pcs.	2,86	600	60	500	690

RDL . . . B60-20									
2,00	Cat. No.	Symbol		Jm	Weight [kg/pcs]	Dim. A [mm]	Dim. B [mm]	Dim. C [mm]	Dim. D [mm]
	789126	RDL 200/100B60-20	1	pcs.	2,67	200	60	100	690
	789127	RDL 200/150B60-20	1	pcs.	2,72	200	60	150	690
	789128	RDL 250/200B60-20	1	pcs.	2,86	250	60	200	690
	789129	RDL 300/200B60-20	1	pcs.	2,95	300	60	200	690
	789130	RDL 300/250B60-20	1	pcs.	3,00	300	60	250	690
	789131	RDL 400/300B60-20	1	pcs.	3,24	400	60	300	690
	789132	RDL 500/400B60-20	1	pcs.	3,52	500	60	400	690
	789133	RDL 600/500B60-20	1	pcs.	3,81	600	60	500	690



LADDER REDUCTION RIGHT



Application:
Reducing width of cable routes.

Material:
Steel galvanized by Sendzimir method (EN 10327),
On request: hot deep galvanized steel (EN ISO 1461),
stainless steel (AISI 304 or AISI 316), aluminum,
powder coating on each of RAL colours.

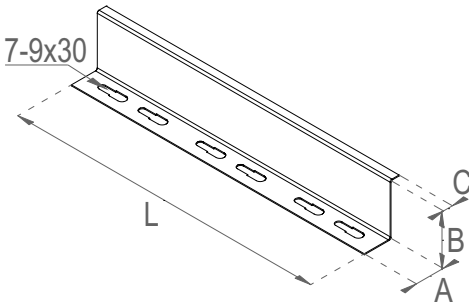


RDP...B60-15									
1,50	Cat. No.	Symbol		Jm	Weight [kg/pcs]	Dim. A [mm]	Dim. B [mm]	Dim. C [mm]	Dim. D [mm]
	789166	RDP 200/100B60-15	1	pcs.	2,00	200	60	100	690
	789167	RDP 200/150B60-15	1	pcs.	2,04	200	60	150	690
	789168	RDP 250/200B60-15	1	pcs.	2,15	250	60	200	690
	789169	RDP 300/200B60-15	1	pcs.	2,21	300	60	200	690
	789170	RDP 300/250B60-15	1	pcs.	2,25	300	60	250	690
	789171	RDP 400/300B60-15	1	pcs.	2,43	400	60	300	690
	789172	RDP 500/400B60-15	1	pcs.	2,64	500	60	400	690
789173	RDP 600/500B60-15	1	pcs.	2,86	600	60	500	690	

RDP...B60-20									
2,00	Cat. No.	Symbol		Jm	Weight [kg/pcs]	Dim. A [mm]	Dim. B [mm]	Dim. C [mm]	Dim. D [mm]
	789206	RDP 200/100B60-20	1	pcs.	2,67	200	60	100	690
	789207	RDP 200/150B60-20	1	pcs.	2,72	200	60	150	690
	789208	RDP 250/200B60-20	1	pcs.	2,86	250	60	200	690
	789209	RDP 300/200B60-20	1	pcs.	2,95	300	60	200	690
	789210	RDP 300/250B60-20	1	pcs.	3,00	300	60	250	690
	789211	RDP 400/300B60-20	1	pcs.	3,24	400	60	300	690
	789212	RDP 500/400B60-20	1	pcs.	3,52	500	60	400	690
789213	RDP 600/500B60-20	1	pcs.	3,81	600	60	500	690	



LADDER PARTITION



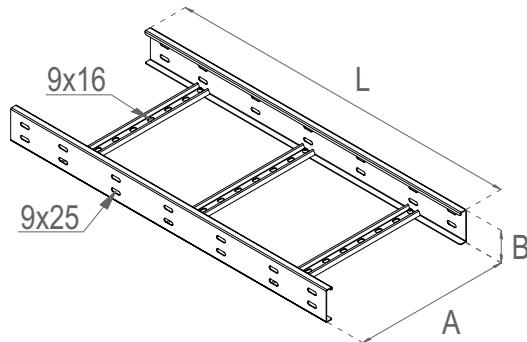
Application:
Cable tray dividing.

Material:
Steel galvanized by Sendzimir method (EN 10327),
On request: hot deep galvanized steel (EN ISO 1461),
stainless steel (AISI 304 or AISI 316), aluminum,
powder coating on each of RAL colours.

PDD B60-...									
0,55-2,00	Cat. No.	Symbol		Jm	Weight [kg/m]	Dim. A [mm]	Dim. B [mm]	Dim. C [mm]	Dim. L [mm]
	789483	PDD B60M-055	2	mb	0,37	50	30	10	2000
	789484	PDD B60-055	2	mb	0,37	50	30	10	2000
	789489	PDD B60M-075	3	mb	0,50	50	30	10	3000
	789490	PDD B60-075	3	mb	0,50	50	30	10	3000
	789499	PDD B60M-10	3	mb	0,65	50	30	10	3000
	789500	PDD B60-10	3	mb	0,65	50	30	10	3000
	789509	PDD B60M-15	3	mb	0,96	50	30	10	3000
	789510	PDD B60-15	3	mb	0,96	50	30	10	3000
	789517	PDD B60M-20	3	mb	1,25	50	30	10	3000
789518	PDD B60-20	3	mb	1,25	50	30	10	3000	

Attention: The symbol of the partition containing the M means the partition installed in the ladder.

CABLE LADDER

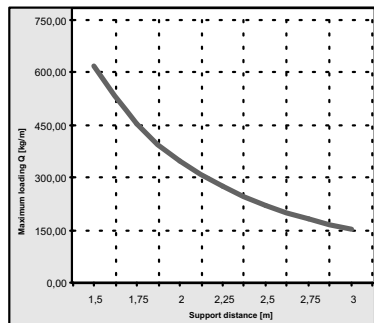


Application:
Cable routing

Material:
Steel galvanized by Sendzimir method (EN 10327),
On request: hot deep galvanized steel (EN ISO 1461),
stainless steel (AISI 304 or AISI 316), aluminum,
powder coating on each of RAL colours.

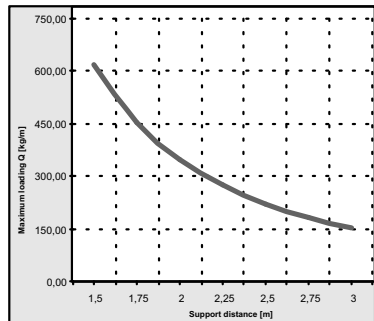
DKN ...B80-2000-15

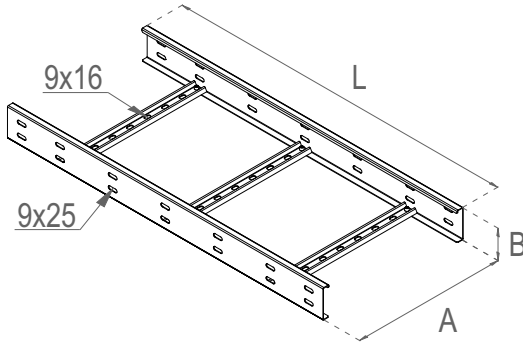
1,50	Cat. No.	Symbol		Jm	Weight [kg/m]	Dim. A [mm]	Dim. B [mm]	Dim. L [mm]
	790655	DKN 100B80-2000-15	2	mb	2,89	100	80	2000
790656	DKN 150B80-2000-15	2	mb	3,00	150	80	2000	
790657	DKN 200B80-2000-15	2	mb	3,12	200	80	2000	
790658	DKN 250B80-2000-15	2	mb	3,23	250	80	2000	
790659	DKN 300B80-2000-15	2	mb	3,35	300	80	2000	
790660	DKN 400B80-2000-15	2	mb	3,58	400	80	2000	
790661	DKN 500B80-2000-15	2	mb	3,81	500	80	2000	
790662	DKN 600B80-2000-15	2	mb	4,04	600	80	2000	



DKN ...B80-3000-15

1,50	Cat. No.	Symbol		Jm	Weight [kg/m]	Dim. A [mm]	Dim. B [mm]	Dim. L [mm]
	790759	DKN 100B80-3000-15	3	mb	2,87	100	80	3000
790760	DKN 150B80-3000-15	3	mb	2,98	150	80	3000	
790761	DKN 200B80-3000-15	3	mb	3,01	200	80	3000	
790762	DKN 250B80-3000-15	3	mb	3,20	250	80	3000	
790763	DKN 300B80-3000-15	3	mb	3,31	300	80	3000	
790764	DKN 400B80-3000-15	3	mb	3,53	400	80	3000	
790765	DKN 500B80-3000-15	3	mb	3,75	500	80	3000	
790766	DKN 600B80-3000-15	3	mb	3,97	600	80	3000	





Application:
Cable routing

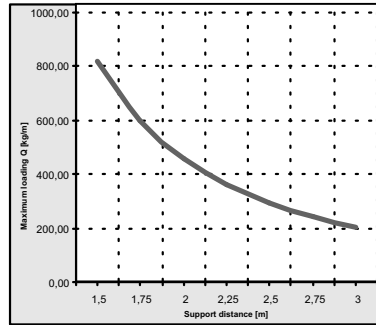
Material:
Steel galvanized by Sendzimir method (EN 10327).
On request: hot deep galvanized steel (EN ISO 1461), stainless steel (AISI 304 or AISI 316), aluminum, powder coating on each of RAL colours.



DKN ...B80-2000-20

Cat. No.	Symbol	Jm	Weight [kg/m]	Dim.		
				A [mm]	B [mm]	L [mm]
790695	DKN 100B80-2000-20	2	mb 3,85	100	80	2000
790696	DKN 150B80-2000-20	2	mb 4,00	150	80	2000
790697	DKN 200B80-2000-20	2	mb 4,16	200	80	2000
790698	DKN 250B80-2000-20	2	mb 4,31	250	80	2000
790699	DKN 300B80-2000-20	2	mb 4,46	300	80	2000
790700	DKN 400B80-2000-20	2	mb 4,77	400	80	2000
790701	DKN 500B80-2000-20	2	mb 5,08	500	80	2000
790702	DKN 600B80-2000-20	2	mb 5,39	600	80	2000

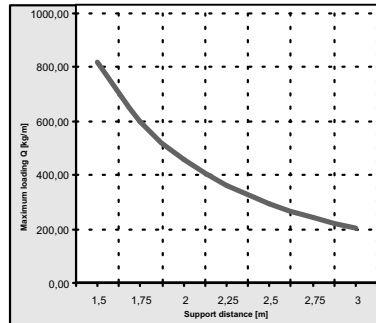
2,00



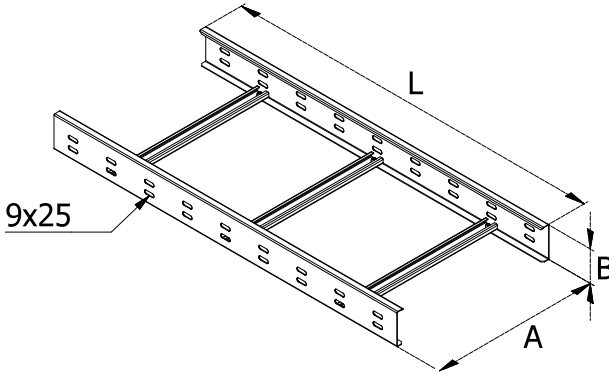
DKN ...B80-3000-20

Cat. No.	Symbol	Jm	Weight [kg/m]	Dim.		
				A [mm]	B [mm]	L [mm]
790799	DKN 100B80-3000-20	3	mb 3,83	100	80	3000
790800	DKN 150B80-3000-20	3	mb 3,98	150	80	3000
790801	DKN 200B80-3000-20	3	mb 4,13	200	80	3000
790802	DKN 250B80-3000-20	3	mb 4,27	250	80	3000
790803	DKN 300B80-3000-20	3	mb 4,42	300	80	3000
790804	DKN 400B80-3000-20	3	mb 4,71	400	80	3000
790805	DKN 500B80-3000-20	3	mb 5,01	500	80	3000
790806	DKN 600B80-3000-20	3	mb 5,30	600	80	3000

2,00



CABLE LADDER

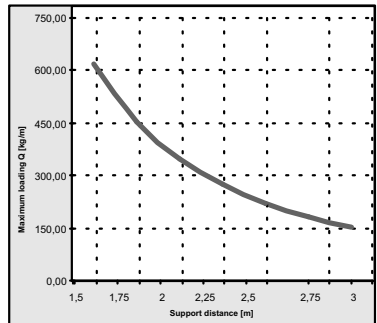


Application:
Cable routing

Material:
Steel galvanized by Sendzimir method (EN 10327),
On request: hot deep galvanized steel (EN ISO 1461),
stainless steel (AISI 304 or AISI 316), aluminum,
powder coating on each of RAL colours.

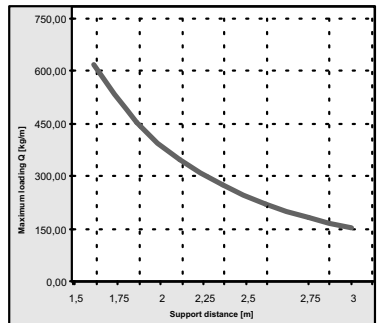
DUK ...B80-2000-15

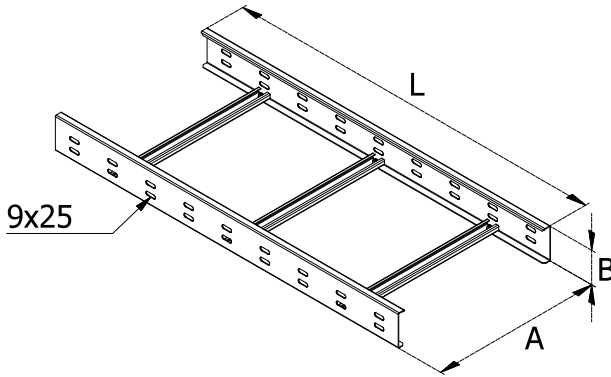
1,50	Cat. No.	Symbol		Jm	Weight [kg/m]	Dim. A [mm]	Dim. B [mm]	Dim. L [mm]
	790452	DUK 100B80-2000-15	2	mb	3,16	100	80	2000
790453	DUK 150B80-2000-15	2	mb	3,31	150	80	2000	
790454	DUK 200B80-2000-15	2	mb	3,46	200	80	2000	
790455	DUK 250B80-2000-15	2	mb	3,62	250	80	2000	
790456	DUK 300B80-2000-15	2	mb	3,77	300	80	2000	
790457	DUK 400B80-2000-15	2	mb	4,08	400	80	2000	
790458	DUK 500B80-2000-15	2	mb	4,38	500	80	2000	
790459	DUK 600B80-2000-15	2	mb	4,69	600	80	2000	



DUK ...B80-3000-15

1,50	Cat. No.	Symbol		Jm	Weight [kg/m]	Dim. A [mm]	Dim. B [mm]	Dim. L [mm]
	789254	DUK 100B80-3000-15	3	mb	3,14	100	80	3000
789255	DUK 150B80-3000-15	3	mb	3,29	150	80	3000	
789256	DUK 200B80-3000-15	3	mb	3,43	200	80	3000	
789257	DUK 250B80-3000-15	3	mb	3,58	250	80	3000	
789258	DUK 300B80-3000-15	3	mb	3,73	300	80	3000	
789259	DUK 400B80-3000-15	3	mb	4,02	400	80	3000	
789260	DUK 500B80-3000-15	3	mb	4,31	500	80	3000	
789261	DUK 600B80-3000-15	3	mb	4,60	600	80	3000	





Application:
Cable routing

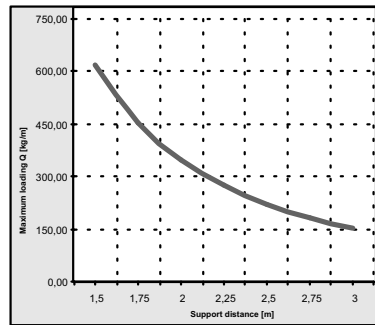
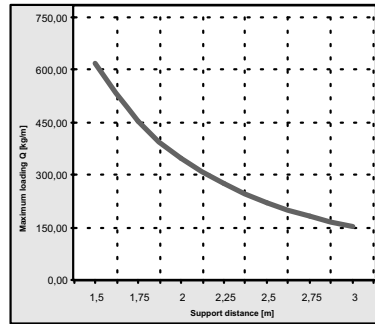
Material:
Steel galvanized by Sendzimir method (EN 10327),
On request: hot deep galvanized steel (EN ISO 1461),
stainless steel (AISI 304 or AISI 316), aluminum,
powder coating on each of RAL colours.

DUK ...B80-2000-20

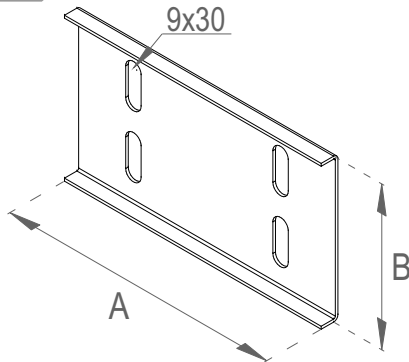
2,00	Cat. No.	Symbol		Jm	Weight [kg/m]	Dim. A [mm]	Dim. B [mm]	Dim. L [mm]
	790492	DUK 100B80-2000-20	2	mb	4.21	100	80	2000
790493	DUK 150B80-2000-20	2	mb	4.41	150	80	2000	
790494	DUK 200B80-2000-20	2	mb	4.62	200	80	2000	
790495	DUK 250B80-2000-20	2	mb	4.82	250	80	2000	
790496	DUK 300B80-2000-20	2	mb	5.03	300	80	2000	
790497	DUK 400B80-2000-20	2	mb	5.44	400	80	2000	
790498	DUK 500B80-2000-20	2	mb	5.84	500	80	2000	
790499	DUK 600B80-2000-20	2	mb	6.25	600	80	2000	

DUK ...B80-3000-20

2,00	Cat. No.	Symbol		Jm	Weight [kg/m]	Dim. A [mm]	Dim. B [mm]	Dim. L [mm]
	789294	DUK 100B80-3000-20	3	mb	4.19	100	80	3000
789295	DUK 150B80-3000-20	3	mb	4.38	150	80	3000	
789296	DUK 200B80-3000-20	3	mb	4.58	200	80	3000	
789297	DUK 250B80-3000-20	3	mb	4.77	250	80	3000	
789298	DUK 300B80-3000-20	3	mb	4.97	300	80	3000	
789299	DUK 400B80-3000-20	3	mb	5.36	400	80	3000	
789300	DUK 500B80-3000-20	3	mb	5.75	500	80	3000	
789301	DUK 600B80-3000-20	3	mb	6.13	600	80	3000	



LADDER CONNECTOR

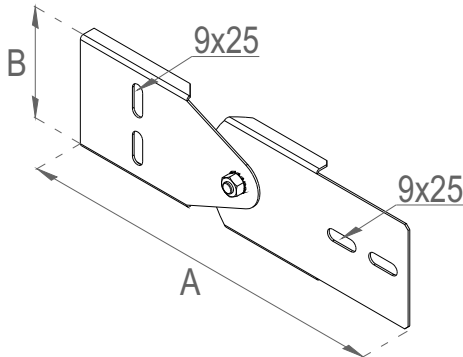


Application:
Connecting cable ladders.
For assembly use 4 sets of SGNKK M8x12.

Material:
Steel galvanized by Sendzimir method (EN 10327),
On request: hot deep galvanized steel (EN ISO 1461),
stainless steel (AISI 304 or AISI 316), aluminum,
powder coating on each of RAL colours.

LDD B80						
Cat. No.	Symbol		Jm	Weight [kg/pcs]	Dim. A [mm]	Dim. B [mm]
783251	LDD B80	1	pcs.	0,21	150	84

VERTICAL LADDER CONNECTOR

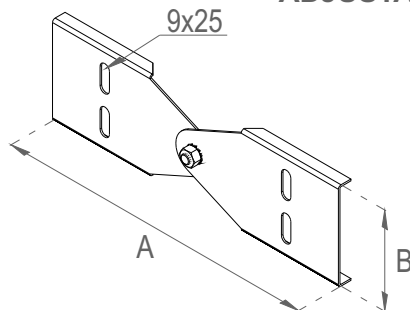


Application:
Connecting cable ladders.
For assembly use 4 sets of SGNKK M8x12.

Material:
Steel galvanized by Sendzimir method (EN 10327),
On request: hot deep galvanized steel (EN ISO 1461),
stainless steel (AISI 304 or AISI 316), aluminum,
powder coating on each of RAL colours.

LPNDD B80						
Cat. No.	Symbol		Jm	Weight [kg/pcs]	Dim. A [mm]	Dim. B [mm]
783256	LPNDD B80	1	pcs.	0,34	285	84

ADJUSTABLE LADDER CONNECTOR

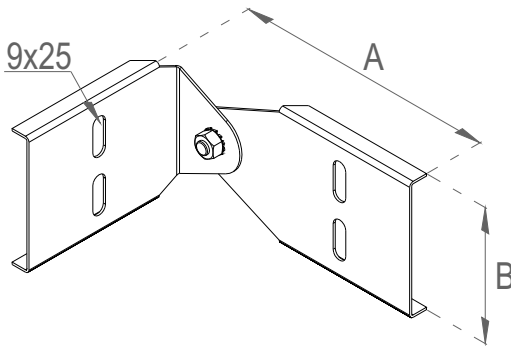


Application:
Connecting cable ladders.
For assembly use 4 sets of SGNKK M8x12.

Material:
Steel galvanized by Sendzimir method (EN 10327),
On request: hot deep galvanized steel (EN ISO 1461),
stainless steel (AISI 304 or AISI 316), aluminum,
powder coating on each of RAL colours.

LPDD B80						
Cat. No.	Symbol		Jm	Weight [kg/pcs]	Dim. A [mm]	Dim. B [mm]
783261	LPDD B80	1	pcs.	0,31	275	84


SIDE ANGULAR LADDER CONNECTOR



Application:
Connecting cable ladders.
For assembly use 4 sets of SGNKK M8x12.

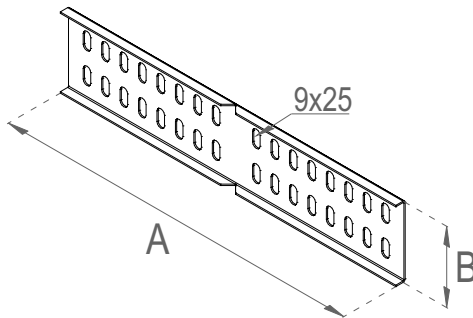
Material:
Steel galvanized by Sendzimir method (EN 10327),
On request: hot deep galvanized steel (EN ISO 1461),
stainless steel (AISI 304 or AISI 316), aluminum,
powder coating on each of RAL colours.

LKBDD B80

Cat. No.	Symbol		Jm	Weight	Dim.	Dim.
			[kg/pcs]	A [mm]	B [mm]	
783266	LKBDD B80	1	pcs.	0,30	165	84




ANGULAR LADDER CONNECTOR

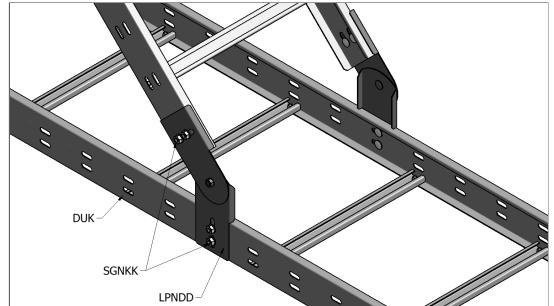
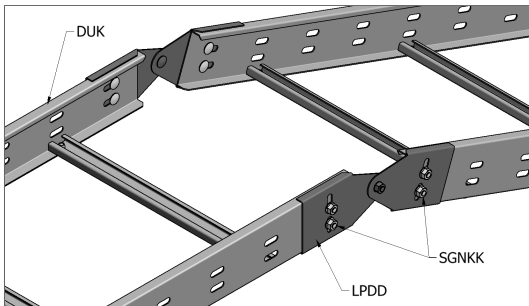


Application:
Horizontal angle connection.
For assembly use 4 sets of SGNKK M8x12.

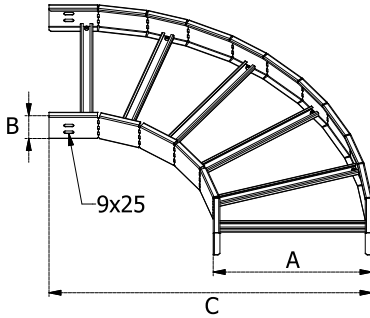
Material:
Steel galvanized by Sendzimir method (EN 10327),
On request: hot deep galvanized steel (EN ISO 1461),
stainless steel (AISI 304 or AISI 316), aluminum,
powder coating on each of RAL colours.

LKDD B80

Cat. No.	Symbol		Jm	Weight	Dim.	Dim.
			[kg/pcs]	A [mm]	B [mm]	
783271	LKDD B80	1	pcs.	0,57	400	84



LADDER HORIZONTAL BEND



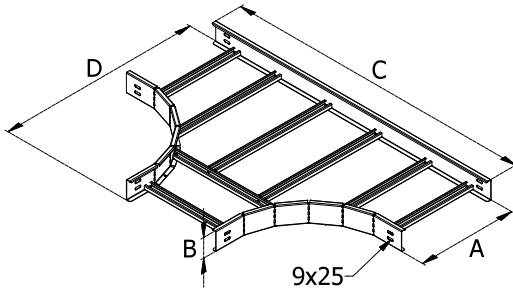
Application:
Horizontal change of direction of cable routes.

Material:
Steel galvanized by Sendzimir method (EN 10327).
On request: hot deep galvanized steel (EN ISO 1461), stainless steel (AISI 304 or AISI 316), aluminum, powder coating on each of RAL colours.

		LDK . . . B80-15						
1,50	Cat. No.	Symbol		Jm	Weight [kg/pcs]	Dim. A [mm]	Dim. B [mm]	Dim. C [mm]
	785514	LDK 100B80-15	1	pcs.	2,04	100	80	445
	785515	LDK 150B80-15	1	pcs.	2,24	150	80	495
	785516	LDK 200B80-15	1	pcs.	2,43	200	80	545
	785517	LDK 250B80-15	1	pcs.	2,62	250	80	595
	785518	LDK 300B80-15	1	pcs.	2,82	300	80	645
	785519	LDK 400B80-15	1	pcs.	3,20	400	80	745
	785520	LDK 500B80-15	1	pcs.	3,59	500	80	845
	785521	LDK 600B80-15	1	pcs.	3,97	600	80	945

		LDK . . . B80-20						
2,00	Cat. No.	Symbol		Jm	Weight [kg/pcs]	Dim. A [mm]	Dim. B [mm]	Dim. C [mm]
	785554	LDK 100B80-20	1	pcs.	2,72	100	80	445
	785555	LDK 150B80-20	1	pcs.	2,98	150	80	495
	785556	LDK 200B80-20	1	pcs.	3,24	200	80	545
	785557	LDK 250B80-20	1	pcs.	3,50	250	80	595
	785558	LDK 300B80-20	1	pcs.	3,75	300	80	645
	785559	LDK 400B80-20	1	pcs.	4,27	400	80	745
	785560	LDK 500B80-20	1	pcs.	4,78	500	80	845
	785561	LDK 600B80-20	1	pcs.	5,30	600	80	945

LADDER TEE

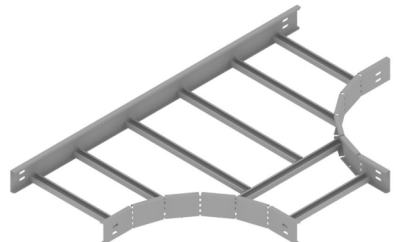
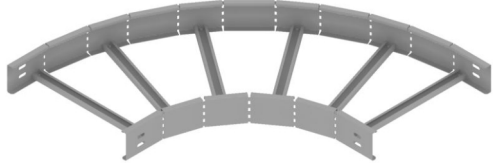


Application:
Branching out cable ladder.

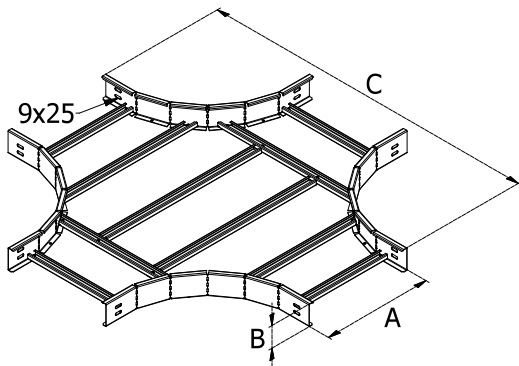
Material:
Steel galvanized by Sendzimir method (EN 10327).
On request: hot deep galvanized steel (EN ISO 1461), stainless steel (AISI 304 or AISI 316), aluminum, powder coating on each of RAL colours.

		TDK . . . B80-15							
1,50	Cat. No.	Symbol		Jm	Weight [kg/pcs]	Dim. A [mm]	Dim. B [mm]	Dim. C [mm]	Dim. D [mm]
	785594	TDK 100B80-15	1	pcs.	2,73	100	80	800	450
	785595	TDK 150B80-15	1	pcs.	3,27	150	80	850	500
	785596	TDK 200B80-15	1	pcs.	3,81	200	80	900	550
	785597	TDK 250B80-15	1	pcs.	4,35	250	80	950	600
	785598	TDK 300B80-15	1	pcs.	4,89	300	80	1000	650
	785599	TDK 400B80-15	1	pcs.	5,96	400	80	1100	750
	785600	TDK 500B80-15	1	pcs.	7,04	500	80	1200	850
	785601	TDK 600B80-15	1	pcs.	8,11	600	80	1300	950

		TDK . . . B80-20							
2,00	Cat. No.	Symbol		Jm	Weight [kg/pcs]	Dim. A [mm]	Dim. B [mm]	Dim. C [mm]	Dim. D [mm]
	785634	TDK 100B80-20	1	pcs.	3,64	100	80	800	450
	785635	TDK 150B80-20	1	pcs.	4,36	150	80	850	500
	785636	TDK 200B80-20	1	pcs.	5,08	200	80	900	550
	785637	TDK 250B80-20	1	pcs.	5,80	250	80	950	600
	785638	TDK 300B80-20	1	pcs.	6,51	300	80	1000	650
	785639	TDK 400B80-20	1	pcs.	7,95	400	80	1100	750
	785640	TDK 500B80-20	1	pcs.	9,38	500	80	1200	850
	785641	TDK 600B80-20	1	pcs.	10,82	600	80	1300	950



LADDER CROSS-OVER



Application:
Horizontal change of direction of cable routes.

Material:
Steel galvanized by Sendzimir method (EN 10327),
On request: hot deep galvanized steel (EN ISO 1461),
stainless steel (AISI 304 or AISI 316), aluminum,
powder coating on each of RAL colours.



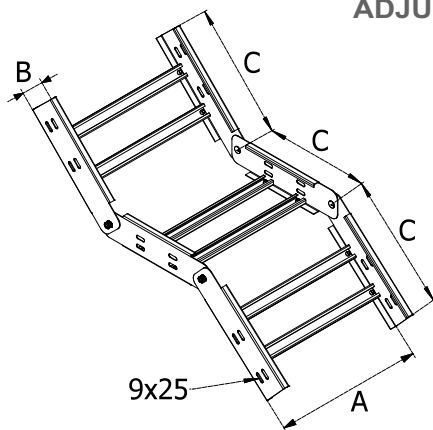
CZDK . . .B80-15

1,50	Cat. No.	Symbol	Jm	Weight (kg/pcs)	Dim. A [mm]	Dim. B [mm]	Dim. C [mm]
	785674	CZDK 100B80-15	1 pcs.	3,55	100	80	800
785675	CZDK 150B80-15	1 pcs.	4,25	150	80	850	
785676	CZDK 200B80-15	1 pcs.	4,95	200	80	900	
785677	CZDK 250B80-15	1 pcs.	5,65	250	80	950	
785678	CZDK 300B80-15	1 pcs.	6,35	300	80	1000	
785679	CZDK 400B80-15	1 pcs.	7,75	400	80	1100	
785680	CZDK 500B80-15	1 pcs.	9,15	500	80	1200	
785681	CZDK 600B80-15	1 pcs.	10,55	600	80	1300	

CZDK . . .B80-20

2,00	Cat. No.	Symbol	Jm	Weight (kg/pcs)	Dim. A [mm]	Dim. B [mm]	Dim. C [mm]
	785714	CZDK 100B80-20	1 pcs.	4,74	100	80	800
785715	CZDK 150B80-20	1 pcs.	5,67	150	80	850	
785716	CZDK 200B80-20	1 pcs.	6,60	200	80	900	
785717	CZDK 250B80-20	1 pcs.	7,53	250	80	950	
785718	CZDK 300B80-20	1 pcs.	8,47	300	80	1000	
785719	CZDK 400B80-20	1 pcs.	10,33	400	80	1100	
785720	CZDK 500B80-20	1 pcs.	12,20	500	80	1200	
785721	CZDK 600B80-20	1 pcs.	14,06	600	80	1300	

ADJUSTABLE VERTICAL BEND



Application:
Vertical change of direction of cable routes.

Material:
Steel galvanized by Sendzimir method (EN 10327),
On request: hot deep galvanized steel (EN ISO 1461),
stainless steel (AISI 304 or AISI 316), aluminum,
powder coating on each of RAL colours.

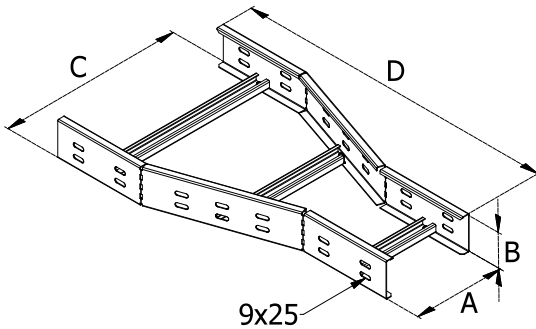
ZPD . . .B80-15

1,50	Cat. No.	Symbol	Jm	Weight (kg/pcs)	Dim. A [mm]	Dim. B [mm]	Dim. C [mm]
	785754	ZPD 100B80-15	1 pcs.	2,57	100	80	250
785755	ZPD 150B80-15	1 pcs.	2,82	150	80	250	
785756	ZPD 200B80-15	1 pcs.	3,06	200	80	250	
785757	ZPD 250B80-15	1 pcs.	3,31	250	80	250	
785758	ZPD 300B80-15	1 pcs.	3,56	300	80	250	
785759	ZPD 400B80-15	1 pcs.	4,06	400	80	250	
785760	ZPD 500B80-15	1 pcs.	4,55	500	80	250	
785761	ZPD 600B80-15	1 pcs.	5,05	600	80	250	

ZPD . . .B80-20


2,00	Cat. No.	Symbol	Jm	Weight (kg/pcs)	Dim. A [mm]	Dim. B [mm]	Dim. C [mm]
	783232	ZPD 100B80-20	1 pcs.	3,42	100	80	250
783233	ZPD 150B80-20	1 pcs.	3,75	150	80	250	
783234	ZPD 200B80-20	1 pcs.	4,08	200	80	250	
783235	ZPD 250B80-20	1 pcs.	4,42	250	80	250	
783236	ZPD 300B80-20	1 pcs.	4,75	300	80	250	
783237	ZPD 400B80-20	1 pcs.	5,41	400	80	250	
783238	ZPD 500B80-20	1 pcs.	6,07	500	80	250	
783239	ZPD 600B80-20	1 pcs.	6,73	600	80	250	


SYMMETRIC LADDER REDUCTION

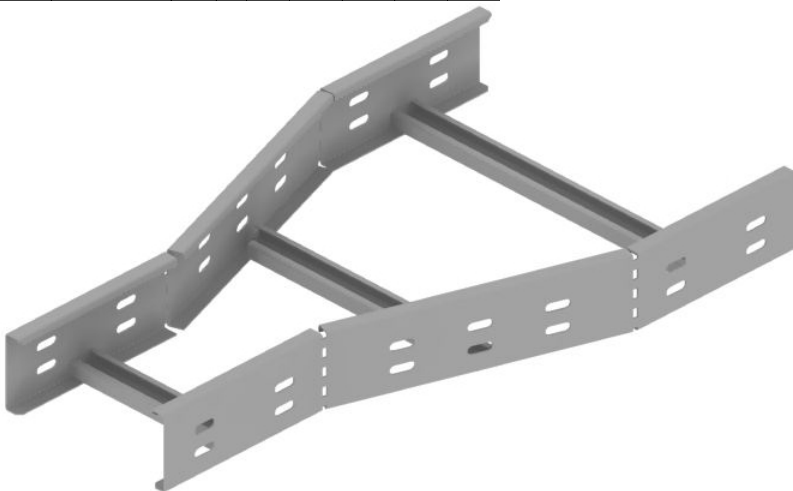


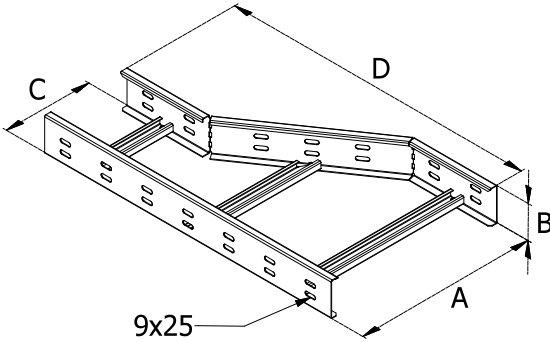
Application:
Reducing width of cable routes.

Material:
Steel galvanized by Sendzimir method (EN 10327),
On request: hot deep galvanized steel (EN ISO 1461),
stainless steel (AISI 304 or AISI 316), aluminum,
powder coating on each of RAL colours.

		RD ...B80-15							
1,50	Cat. No.	Symbol		Jm	Weight [kg/pcs]	Dim. A [mm]	Dim. B [mm]	Dim. C [mm]	Dim. D [mm]
	789014	RD 200/100B80-15	1	pcs.	2,31	200	80	100	690
	789015	RD 200/150B80-15	1	pcs.	2,35	200	80	150	690
	789016	RD 250/200B80-15	1	pcs.	2,45	250	80	200	690
	789017	RD 300/200B80-15	1	pcs.	2,52	300	80	200	690
	789018	RD 300/250B80-15	1	pcs.	2,56	300	80	250	690
	789019	RD 400/300B80-15	1	pcs.	2,73	400	80	300	690
	789020	RD 500/400B80-15	1	pcs.	2,95	500	80	400	690
	789021	RD 600/500B80-15	1	pcs.	3,16	600	80	500	690

		RD ...B80-20							
2,00	Cat. No.	Symbol		Jm	Weight [kg/pcs]	Dim. A [mm]	Dim. B [mm]	Dim. C [mm]	Dim. D [mm]
	789054	RD 200/100B80-20	1	pcs.	3,08	200	80	100	690
	789055	RD 200/150B80-20	1	pcs.	3,13	200	80	150	690
	789056	RD 250/200B80-20	1	pcs.	3,27	250	80	200	690
	789057	RD 300/200B80-20	1	pcs.	3,36	300	80	200	690
	789058	RD 300/250B80-20	1	pcs.	3,41	300	80	250	690
	789059	RD 400/300B80-20	1	pcs.	3,65	400	80	300	690
	789060	RD 500/400B80-20	1	pcs.	3,93	500	80	400	690
	789061	RD 600/500B80-20	1	pcs.	4,22	600	80	500	690





Application:
Reducing width of cable routes.

Material:
Steel galvanized by Sendzimir method (EN 10327),
On request: hot deep galvanized steel (EN ISO 1461),
stainless steel (AISI 304 or AISI 316), aluminum,
powder coating on each of RAL colours.

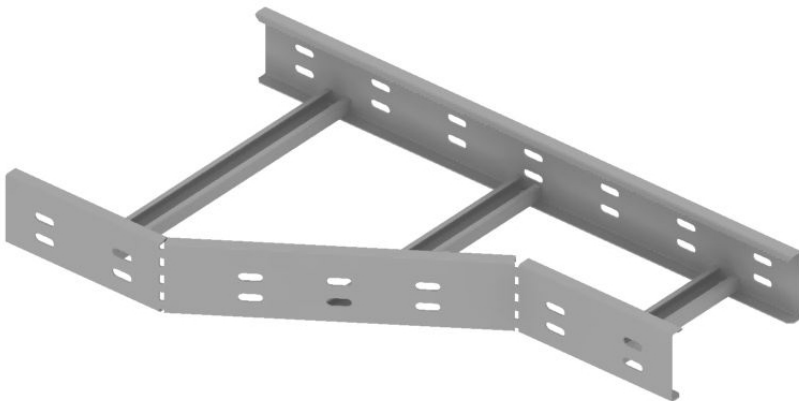


RDL . . . B80-15

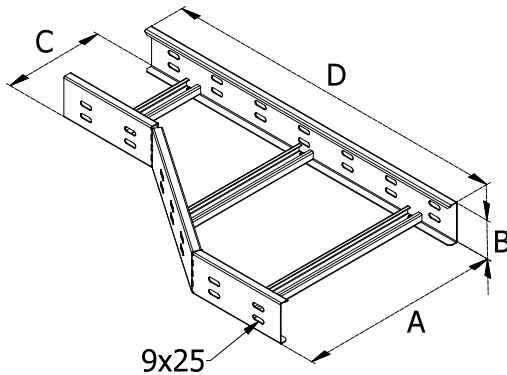
1,50	Cat. No.	Symbol		Jm	Weight [kg/pcs]	Dim. A [mm]	Dim. B [mm]	Dim. C [mm]	Dim. D [mm]
	789094	RDL 200/100B80-15	1	pcs	2,31	200	80	100	690
789095	RDL 200/150B80-15	1	pcs	2,35	200	80	150	690	
789096	RDL 250/200B80-15	1	pcs	2,45	250	80	200	690	
789097	RDL 300/200B80-15	1	pcs	2,52	300	80	200	690	
789098	RDL 300/250B80-15	1	pcs	2,56	300	80	250	690	
789099	RDL 400/300B80-15	1	pcs	2,73	400	80	300	690	
789100	RDL 500/400B80-15	1	pcs	2,95	500	80	400	690	
789101	RDL 600/500B80-15	1	pcs	3,16	600	80	500	690	

RDL . . . B80-20

2,00	Cat. No.	Symbol		Jm	Weight [kg/pcs]	Dim. A [mm]	Dim. B [mm]	Dim. C [mm]	Dim. D [mm]
	789134	RDL 200/100B80-20	1	pcs	3,08	200	80	100	690
789135	RDL 200/150B80-20	1	pcs	3,13	200	80	150	690	
789136	RDL 250/200B80-20	1	pcs	3,27	250	80	200	690	
789137	RDL 300/200B80-20	1	pcs	3,36	300	80	200	690	
789138	RDL 300/250B80-20	1	pcs	3,41	300	80	250	690	
789139	RDL 400/300B80-20	1	pcs	3,65	400	80	300	690	
789140	RDL 500/400B80-20	1	pcs	3,93	500	80	400	690	
789141	RDL 600/500B80-20	1	pcs	4,22	600	80	500	690	



LADDER REDUCTION RIGHT

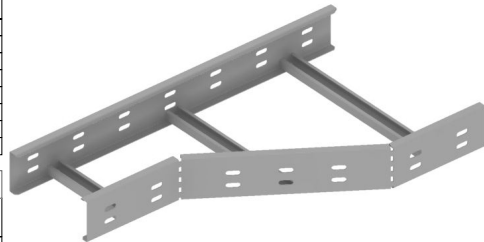


Application:
Reducing width of cable routes.

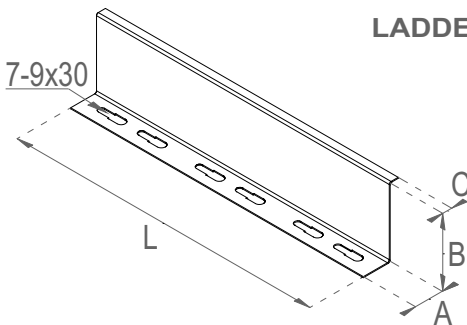
Material:
Steel galvanized by Sendzimir method (EN 10327),
On request: hot deep galvanized steel (EN ISO 1461),
stainless steel (AISI 304 or AISI 316), aluminum,
powder coating on each of RAL colours.

RDP...B80-15									
1,50	Cat. No.	Symbol		Jm	Weight [kg/pcs]	Dim. A [mm]	Dim. B [mm]	Dim. C [mm]	Dim. D [mm]
	789174	RDP 200/100B80-15	1	pcs.	2,31	200	80	100	690
	789175	RDP 200/150B80-15	1	pcs.	2,35	200	80	150	690
	789176	RDP 250/200B80-15	1	pcs.	2,45	250	80	200	690
	789177	RDP 300/200B80-15	1	pcs.	2,52	300	80	200	690
	789178	RDP 300/250B80-15	1	pcs.	2,56	300	80	250	690
	789179	RDP 400/300B80-15	1	pcs.	2,73	400	80	300	690
	789180	RDP 500/400B80-15	1	pcs.	2,95	500	80	400	690
	789181	RDP 600/500B80-15	1	pcs.	3,16	600	80	500	690

RDP...B80-20									
2,00	Cat. No.	Symbol		Jm	Weight [kg/pcs]	Dim. A [mm]	Dim. B [mm]	Dim. C [mm]	Dim. D [mm]
	789214	RDP 200/100B80-20	1	pcs.	3,08	200	80	100	690
	789215	RDP 200/150B80-20	1	pcs.	3,13	200	80	150	690
	789216	RDP 250/200B80-20	1	pcs.	3,27	250	80	200	690
	789217	RDP 300/200B80-20	1	pcs.	3,36	300	80	200	690
	789218	RDP 300/250B80-20	1	pcs.	3,41	300	80	250	690
	789219	RDP 400/300B80-20	1	pcs.	3,65	400	80	300	690
	789220	RDP 500/400B80-20	1	pcs.	3,93	500	80	400	690
	789221	RDP 600/500B80-20	1	pcs.	4,22	600	80	500	690



LADDER PARTITION

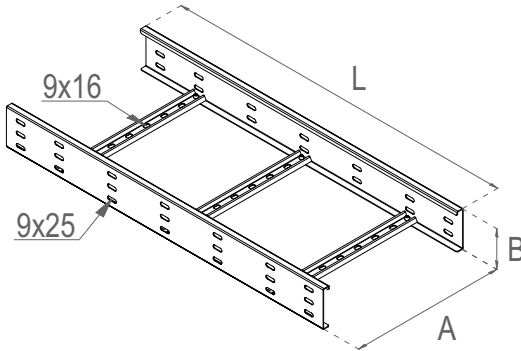


Application:
Cable tray dividing.

Material:
Steel galvanized by Sendzimir method (EN 10327),
On request: hot deep galvanized steel (EN ISO 1461),
stainless steel (AISI 304 or AISI 316), aluminum,
powder coating on each of RAL colours.

PDD B80-...									
0,75-2,00	Cat. No.	Symbol		Jm	Weight [kg/m]	Dim. A [mm]	Dim. B [mm]	Dim. C [mm]	Dim. L [mm]
	789491	PDD B80M-075	3	mb	0,62	30	70	10	3000
	789492	PDD B80-075	3	mb	0,62	30	70	10	3000
	789501	PDD B80M-10	3	mb	0,81	30	70	10	3000
	789502	PDD B80-10	3	mb	0,81	30	70	10	3000
	789511	PDD B80M-15	3	mb	1,20	30	70	10	3000
	789512	PDD B80-15	3	mb	1,20	30	70	10	3000
	789519	PDD B80M-20	3	mb	1,57	30	70	10	3000
	789520	PDD B80-20	3	mb	1,57	30	70	10	3000

Attention: The symbol of the partition containing the M means the partition installed in the ladder.



Application:
Cable routing

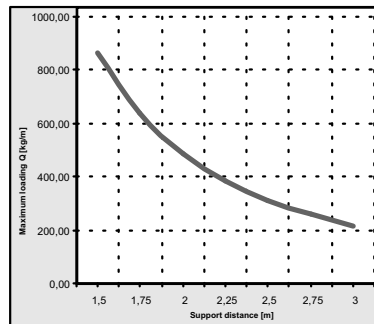
Material:
Steel galvanized by Sendzimir method (EN 10327),
On request: hot deep galvanized steel (EN ISO 1461),
stainless steel (AISI 304 or AISI 316), aluminum,
powder coating on each of RAL colours.

B100



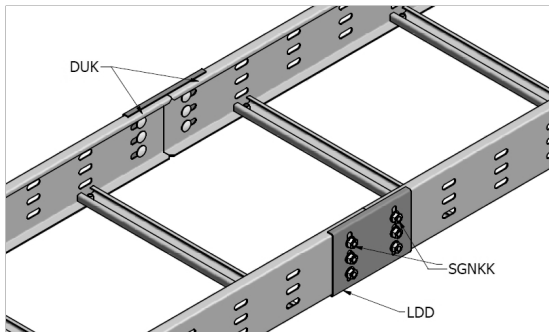
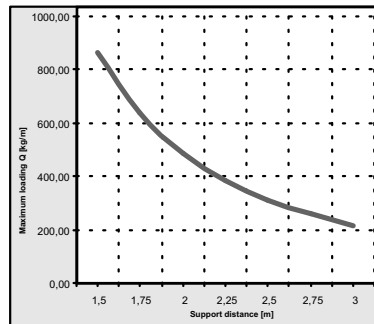
DKN ...B100-2000-15

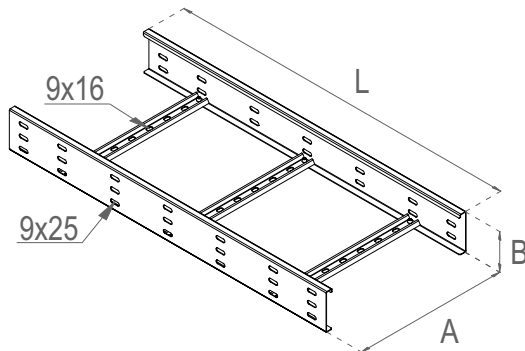
1,50	Cat. No.	Symbol		Jm	Weight [kg/m]	Dim. A [mm]	Dim. B [mm]	Dim. L [mm]
	790663	DKN 100B100-2000-15	2 mb	3,38	100	100	2000	
790664	DKN 150B100-2000-15	2 mb	3,50	150	100	2000		
790665	DKN 200B100-2000-15	2 mb	3,62	200	100	2000		
790666	DKN 250B100-2000-15	2 mb	3,73	250	100	2000		
790667	DKN 300B100-2000-15	2 mb	3,85	300	100	2000		
790668	DKN 400B100-2000-15	2 mb	4,08	400	100	2000		
790669	DKN 500B100-2000-15	2 mb	4,31	500	100	2000		
790670	DKN 600B100-2000-15	2 mb	4,54	600	100	2000		



DKN ...B100-3000-15

1,50	Cat. No.	Symbol		Jm	Weight [kg/m]	Dim. A [mm]	Dim. B [mm]	Dim. L [mm]
	790767	DKN 100B100-3000-15	3 mb	3,52	100	100	3000	
790768	DKN 150B100-3000-15	3 mb	3,65	150	100	3000		
790769	DKN 200B100-3000-15	3 mb	3,79	200	100	3000		
790770	DKN 250B100-3000-15	3 mb	3,93	250	100	3000		
790771	DKN 300B100-3000-15	3 mb	4,07	300	100	3000		
790772	DKN 400B100-3000-15	3 mb	4,34	400	100	3000		
790773	DKN 500B100-3000-15	3 mb	4,62	500	100	3000		
790774	DKN 600B100-3000-15	3 mb	4,90	600	100	3000		



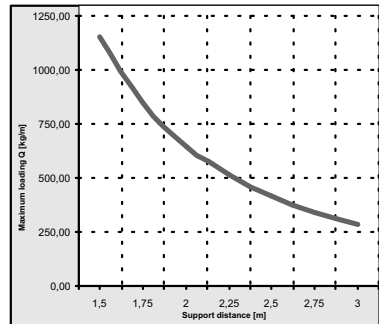


Application:
Cable routing

Material:
Steel galvanized by Sendzimir method (EN 10327),
On request: hot deep galvanized steel (EN ISO 1461),
stainless steel (AISI 304 or AISI 316), aluminum,
powder coating on each of RAL colours.

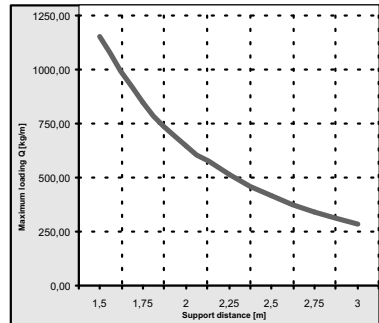
DKN ...B100-2000-20

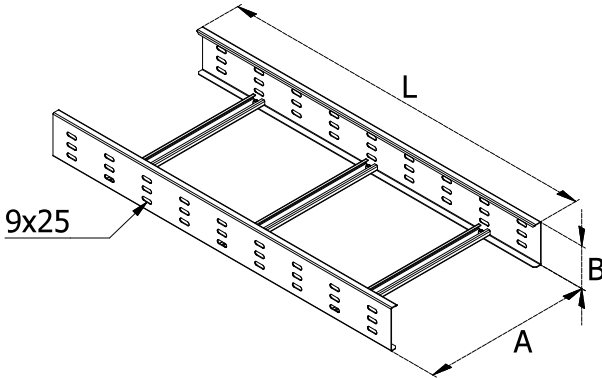
Cat. No.	Symbol	Jm	Weight [kg/m]	Dim. A [mm]	Dim. B [mm]	Dim. L [mm]
790703	DKN 100B100-2000-20	2 mb	4,51	100	100	2000
790704	DKN 150B100-2000-20	2 mb	4,67	150	100	2000
790705	DKN 200B100-2000-20	2 mb	4,82	200	100	2000
790706	DKN 250B100-2000-20	2 mb	4,97	250	100	2000
790707	DKN 300B100-2000-20	2 mb	5,13	300	100	2000
790708	DKN 400B100-2000-20	2 mb	5,44	400	100	2000
790709	DKN 500B100-2000-20	2 mb	6,74	500	100	2000
790710	DKN 600B100-2000-20	2 mb	6,05	600	100	2000



DKN ...B100-3000-20

Cat. No.	Symbol	Jm	Weight [kg/m]	Dim. A [mm]	Dim. B [mm]	Dim. L [mm]
790807	DKN 100B100-3000-20	3 mb	4,69	100	100	3000
790808	DKN 150B100-3000-20	3 mb	4,87	150	100	3000
790809	DKN 200B100-3000-20	3 mb	5,06	200	100	3000
790810	DKN 250B100-3000-20	3 mb	5,24	250	100	3000
790811	DKN 300B100-3000-20	3 mb	5,42	300	100	3000
790812	DKN 400B100-3000-20	3 mb	5,79	400	100	3000
790813	DKN 500B100-3000-20	3 mb	6,16	500	100	3000
790814	DKN 600B100-3000-20	3 mb	6,53	600	100	3000





Application:
Cable routing

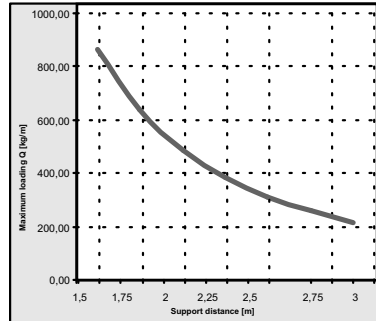
Material:
Steel galvanized by Sendzimir method (EN 10327),
On request: hot deep galvanized steel (EN ISO 1461),
stainless steel (AISI 304 or AISI 316), aluminum,
powder coating on each of RAL colours.

B100



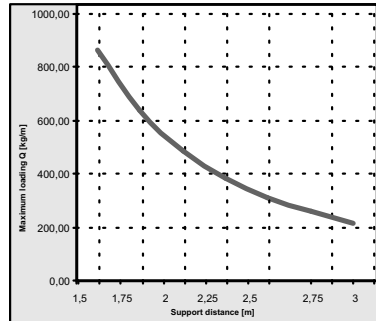
DUK . . . B100-2000-15

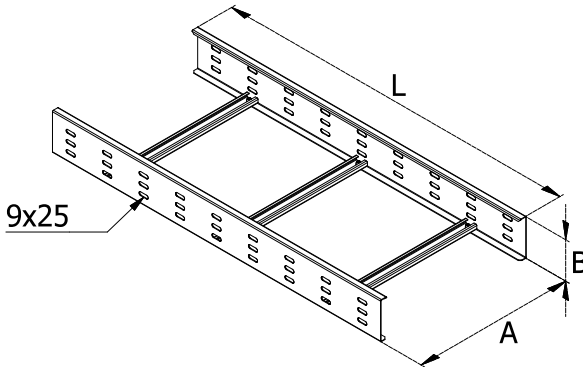
Cat. No.	Symbol	Icon	Jm	Weight [kg/m]	Dim. A [mm]	Dim. B [mm]	Dim. L [mm]
790460	DUK 100B100-2000-15	2 mb	3,59	100	100	2000	
790461	DUK 150B100-2000-15	2 mb	3,74	150	100	2000	
790462	DUK 200B100-2000-15	2 mb	3,90	200	100	2000	
790463	DUK 250B100-2000-15	2 mb	4,05	250	100	2000	
790464	DUK 300B100-2000-15	2 mb	4,20	300	100	2000	
790465	DUK 400B100-2000-15	2 mb	4,51	400	100	2000	
790466	DUK 500B100-2000-15	2 mb	4,81	500	100	2000	
790467	DUK 600B100-2000-15	2 mb	5,12	600	100	2000	



DUK . . . B100-3000-15

Cat. No.	Symbol	Icon	Jm	Weight [kg/m]	Dim. A [mm]	Dim. B [mm]	Dim. L [mm]
789262	DUK 100B100-3000-15	3 mb	3,57	100	100	3000	
789263	DUK 150B100-3000-15	3 mb	3,72	150	100	3000	
789264	DUK 200B100-3000-15	3 mb	3,87	200	100	3000	
789265	DUK 250B100-3000-15	3 mb	4,01	250	100	3000	
789266	DUK 300B100-3000-15	3 mb	4,16	300	100	3000	
789267	DUK 400B100-3000-15	3 mb	4,45	400	100	3000	
789268	DUK 500B100-3000-15	3 mb	4,74	500	100	3000	
789269	DUK 600B100-3000-15	3 mb	5,03	600	100	3000	



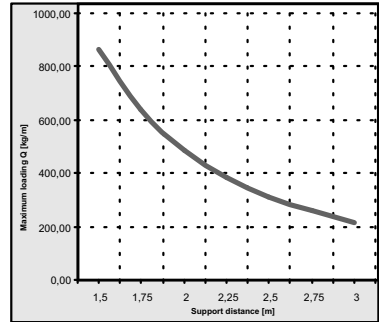


Application:
Cable routing

Material:
Steel galvanized by Sendzimir method (EN 10327),
On request: hot deep galvanized steel (EN ISO 1461),
stainless steel (AISI 304 or AISI 316), aluminum,
powder coating on each of RAL colours.

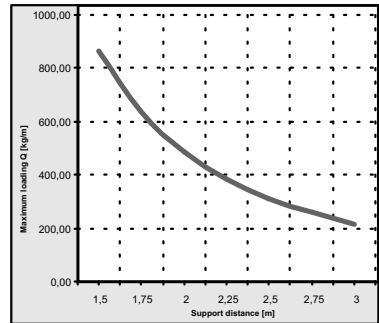
DUK ... B100-2000-20

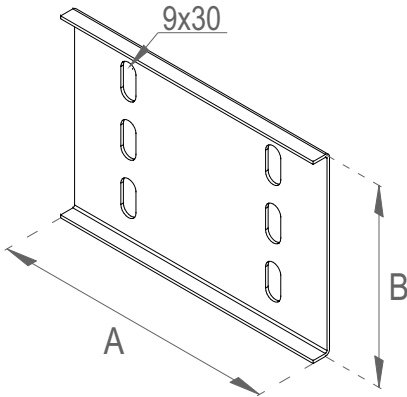
Cat. No.	Symbol	Jm	Weight [kg/m]	Dim. A [mm]	Dim. B [mm]	Dim. L [mm]
790500	DUK 100B100-2000-20	2	mb 4,79	100	100	2000
790501	DUK 150B100-2000-20	2	mb 4,99	150	100	2000
790502	DUK 200B100-2000-20	2	mb 5,19	200	100	2000
790503	DUK 250B100-2000-20	2	mb 5,40	250	100	2000
790504	DUK 300B100-2000-20	2	mb 5,60	300	100	2000
790505	DUK 400B100-2000-20	2	mb 5,01	400	100	2000
790506	DUK 500B100-2000-20	2	mb 6,42	500	100	2000
790507	DUK 600B100-2000-20	2	mb 6,83	600	100	2000



DUK ... B100-3000-20

Cat. No.	Symbol	Jm	Weight [kg/m]	Dim. A [mm]	Dim. B [mm]	Dim. L [mm]
789302	DUK 100B100-3000-20	3	mb 4,77	100	100	3000
789303	DUK 150B100-3000-20	3	mb 4,96	150	100	3000
789304	DUK 200B100-3000-20	3	mb 5,16	200	100	3000
789305	DUK 250B100-3000-20	3	mb 5,35	250	100	3000
789306	DUK 300B100-3000-20	3	mb 5,54	300	100	3000
789307	DUK 400B100-3000-20	3	mb 5,93	400	100	3000
789308	DUK 500B100-3000-20	3	mb 6,32	500	100	3000
789309	DUK 600B100-3000-20	3	mb 6,71	600	100	3000





Application:
Connecting cable ladders.
For assembly use 6 sets of SGNKK M6x12.

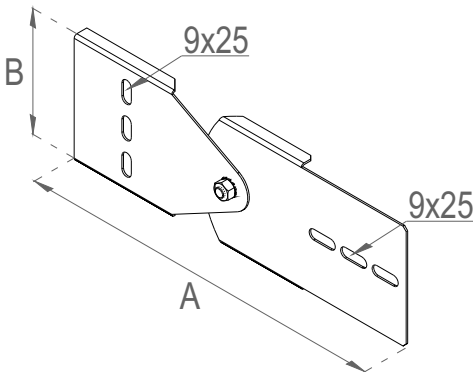
Material:
Steel galvanized by Sendzimir method (EN 10327),
On request: hot deep galvanized steel (EN ISO 1461),
stainless steel (AISI 304 or AISI 316), aluminum,
powder coating on each of RAL colours.

B100



LDD B100						
Cat. No.	Symbol	Jm	Weight	Dim.	Dim.	
		pcs.	[kg/pcs]	A [mm]	B [mm]	
783252	LDD B100	1	0,26	150	104	

VERTICAL LADDER CONNECTOR

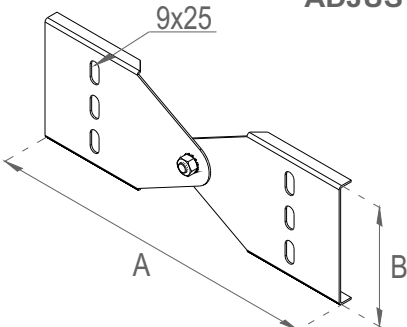


Application:
Connecting cable ladders.
For assembly use 6 sets of SGNKK M6x12.

Material:
Steel galvanized by Sendzimir method (EN 10327),
On request: hot deep galvanized steel (EN ISO 1461),
stainless steel (AISI 304 or AISI 316), aluminum,
powder coating on each of RAL colours.

LPNDD B100						
Cat. No.	Symbol	Jm	Weight	Dim.	Dim.	
		pcs.	[kg/pcs]	A [mm]	B [mm]	
783257	LPNDD B100	1	0,43	315	104	

ADJUSTABLE LADDER CONNECTOR

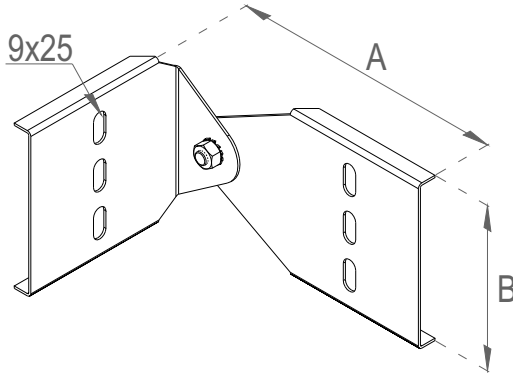


Application:
Connecting cable ladders.
For assembly use 6 sets of SGNKK M6x12.

Material:
Steel galvanized by Sendzimir method (EN 10327),
On request: hot deep galvanized steel (EN ISO 1461),
stainless steel (AISI 304 or AISI 316), aluminum,
powder coating on each of RAL colours.

LPDD B100						
Cat. No.	Symbol	Jm	Weight	Dim.	Dim.	
		pcs.	[kg/pcs]	A [mm]	B [mm]	
783262	LPDD B100	1	0,38	295	104	

SIDE ANGULAR LADDER CONNECTOR

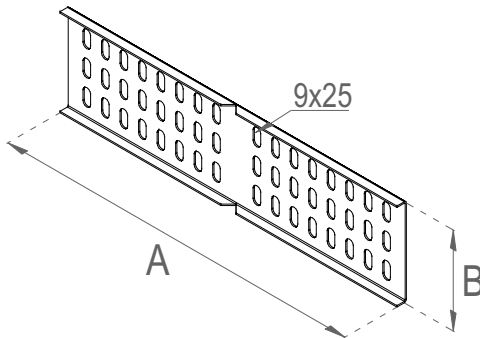


Application:
Connecting cable ladders.
For assembly use 6 sets of SGNKK M6x12.

Material:
Steel galvanized by Sendzimir method (EN 10327),
On request: hot deep galvanized steel (EN ISO 1461),
stainless steel (AISI 304 or AISI 316), aluminum,
powder coating on each of RAL colours.

LKBDD B100					
Cat. No.	Symbol	Jm	Weight [kg/pcs]	Dim. A [mm]	Dim. B [mm]
783267	LKBDD B100	1 pcs.	0.36	175	104

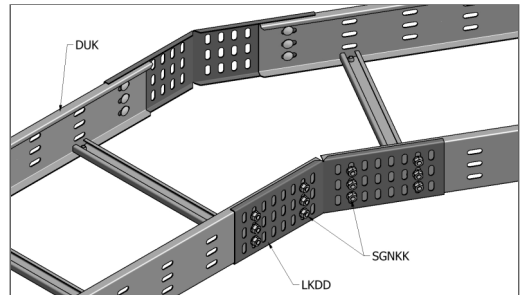
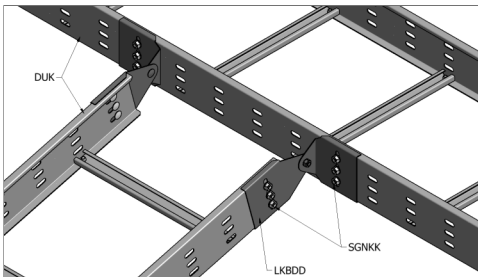
ANGULAR LADDER CONNECTOR



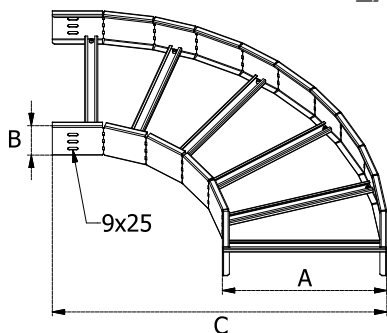
Application:
Horizontal angle connection.
For assembly use 6 sets of SGNKK M6x12.

Material:
Steel galvanized by Sendzimir method (EN 10327),
On request: hot deep galvanized steel (EN ISO 1461),
stainless steel (AISI 304 or AISI 316), aluminum,
powder coating on each of RAL colours.

LKDD B100					
Cat. No.	Symbol	Jm	Weight [kg/pcs]	Dim. A [mm]	Dim. B [mm]
783272	LKDD B100	1 pcs.	0.69	400	104



LADDER HORIZONTAL BEND



Application:
Horizontal change of direction of cable routes.

Material:
Steel galvanized by Sendzimir method (EN 10327),
On request: hot deep galvanized steel (EN ISO 1461),
stainless steel (AISI 304 or AISI 316), aluminum,
powder coating on each of RAL colours.

LDK ...B100-15

1,50	Cat. No.	Symbol		Jm	Weight (kg/pcs)	Dim. A [mm]	Dim. B [mm]	Dim. C [mm]
	785522	LDK 100B100-15	1	pcs.	2,35	100	100	445
785523	LDK 150B100-15	1	pcs.	2,56	150	100	495	
785524	LDK 200B100-15	1	pcs.	2,76	200	100	545	
785525	LDK 250B100-15	1	pcs.	2,97	250	100	595	
785526	LDK 300B100-15	1	pcs.	3,18	300	100	645	
785527	LDK 400B100-15	1	pcs.	3,59	400	100	745	
785528	LDK 500B100-15	1	pcs.	4,00	500	100	845	
785529	LDK 600B100-15	1	pcs.	4,41	600	100	945	

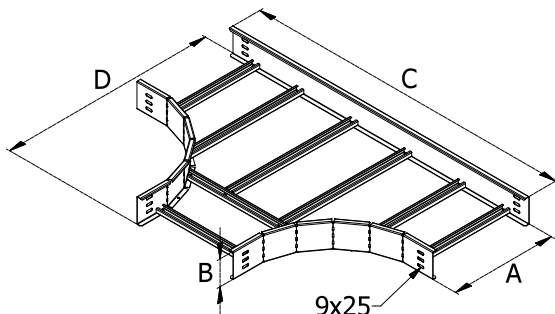
LDK ...B100-20

2,00	Cat. No.	Symbol		Jm	Weight (kg/pcs)	Dim. A [mm]	Dim. B [mm]	Dim. C [mm]
	785562	LDK 100B100-20	1	pcs.	3,14	100	100	445
785563	LDK 150B100-20	1	pcs.	3,41	150	100	495	
785564	LDK 200B100-20	1	pcs.	3,69	200	100	545	
785565	LDK 250B100-20	1	pcs.	3,96	250	100	595	
785566	LDK 300B100-20	1	pcs.	4,23	300	100	645	
785567	LDK 400B100-20	1	pcs.	4,78	400	100	745	
785568	LDK 500B100-20	1	pcs.	5,33	500	100	845	
785569	LDK 600B100-20	1	pcs.	5,88	600	100	945	

B100



LADDER TEE



Application:
Branching out cable ladder.

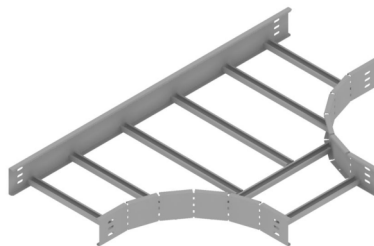
Material:
Steel galvanized by Sendzimir method (EN 10327),
On request: hot deep galvanized steel (EN ISO 1461),
stainless steel (AISI 304 or AISI 316), aluminum,
powder coating on each of RAL colours.

TDK ...B100-15

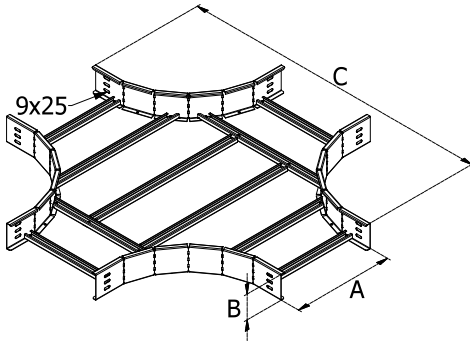
1,50	Cat. No.	Symbol		Jm	Weight (kg/pcs)	Dim. A [mm]	Dim. B [mm]	Dim. C [mm]	Dim. D [mm]
	785602	TDK 100B100-15	1	pcs.	3,16	100	100	800	450
785603	TDK 150B100-15	1	pcs.	3,77	150	100	850	500	
785604	TDK 200B100-15	1	pcs.	4,38	200	100	900	550	
785605	TDK 250B100-15	1	pcs.	5,00	250	100	950	600	
785606	TDK 300B100-15	1	pcs.	5,61	300	100	1000	650	
785607	TDK 400B100-15	1	pcs.	6,83	400	100	1100	750	
785608	TDK 500B100-15	1	pcs.	8,05	500	100	1200	850	
785609	TDK 600B100-15	1	pcs.	9,27	600	100	1300	950	

TDK ...B100-20

2,00	Cat. No.	Symbol		Jm	Weight (kg/pcs)	Dim. A [mm]	Dim. B [mm]	Dim. C [mm]	Dim. D [mm]
	785642	TDK 100B100-20	1	pcs.	4,22	100	100	800	450
785643	TDK 150B100-20	1	pcs.	5,03	150	100	850	500	
785644	TDK 200B100-20	1	pcs.	5,85	200	100	900	550	
785645	TDK 250B100-20	1	pcs.	6,66	250	100	950	600	
785646	TDK 300B100-20	1	pcs.	7,47	300	100	1000	650	
785647	TDK 400B100-20	1	pcs.	9,10	400	100	1100	750	
785648	TDK 500B100-20	1	pcs.	10,73	500	100	1200	850	
785649	TDK 600B100-20	1	pcs.	12,36	600	100	1300	950	



LADDER CROSS-OVER



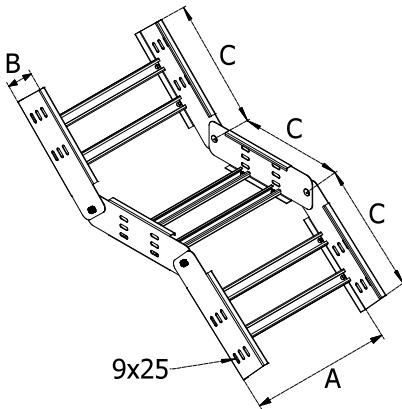
Application:
Horizontal change of direction of cable routes.

Material:
Steel galvanized by Sendzimir method (EN 10327),
On request: hot deep galvanized steel (EN ISO 1461),
stainless steel (AISI 304 or AISI 316), aluminum,
powder coating on each of RAL colours.

CZDK...B100-15								
1,50	Cat. No.	Symbol		Jm	Weight [kg/pcs]	Dim. A [mm]	Dim. B [mm]	Dim. C [mm]
	785682	CZDK 100B100-15	1	pcs.	4,11	100	100	800
	785683	CZDK 150B100-15	1	pcs.	4,91	150	100	850
	785684	CZDK 200B100-15	1	pcs.	5,70	200	100	900
	785685	CZDK 250B100-15	1	pcs.	6,49	250	100	950
	785686	CZDK 300B100-15	1	pcs.	7,29	300	100	1000
	785687	CZDK 400B100-15	1	pcs.	8,87	400	100	1100
	785688	CZDK 500B100-15	1	pcs.	10,46	500	100	1200
	785689	CZDK 600B100-15	1	pcs.	12,05	600	100	1300

CZDK...B100-20								
2,00	Cat. No.	Symbol		Jm	Weight [kg/pcs]	Dim. A [mm]	Dim. B [mm]	Dim. C [mm]
	785722	CZDK 100B100-20	1	pcs.	5,48	100	100	800
	785723	CZDK 150B100-20	1	pcs.	6,54	150	100	850
	785724	CZDK 200B100-20	1	pcs.	7,60	200	100	900
	785725	CZDK 250B100-20	1	pcs.	8,66	250	100	950
	785726	CZDK 300B100-20	1	pcs.	9,72	300	100	1000
	785727	CZDK 400B100-20	1	pcs.	11,83	400	100	1100
	785728	CZDK 500B100-20	1	pcs.	13,95	500	100	1200
	785729	CZDK 600B100-20	1	pcs.	16,06	600	100	1300

ADJUSTABLE VERTICAL BEND



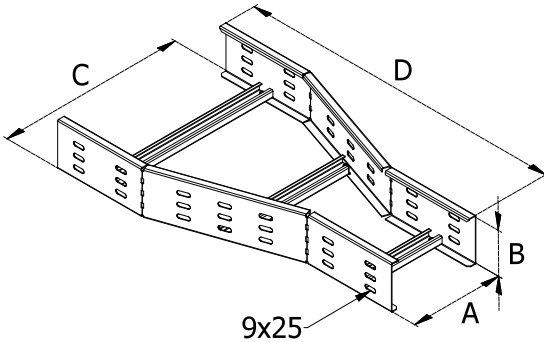
Application:
Vertical change of direction of cable routes.

Material:
Steel galvanized by Sendzimir method (EN 10327),
On request: hot deep galvanized steel (EN ISO 1461),
stainless steel (AISI 304 or AISI 316), aluminum,
powder coating on each of RAL colours.

ZPD...B100-15								
1,50	Cat. No.	Symbol		Jm	Weight [kg/pcs]	Dim. A [mm]	Dim. B [mm]	Dim. C [mm]
	783200	ZPD 100B100-15	1	pcs.	2,93	100	100	250
	783201	ZPD 150B100-15	1	pcs.	3,18	150	100	250
	783202	ZPD 200B100-15	1	pcs.	3,42	200	100	250
	783203	ZPD 250B100-15	1	pcs.	3,67	250	100	250
	783204	ZPD 300B100-15	1	pcs.	3,92	300	100	250
	783205	ZPD 400B100-15	1	pcs.	4,42	400	100	250
	783206	ZPD 500B100-15	1	pcs.	4,91	500	100	250
	783207	ZPD 600B100-15	1	pcs.	5,41	600	100	250

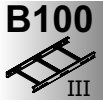
ZPD...B100-20								
2,00	Cat. No.	Symbol		Jm	Weight [kg/pcs]	Dim. A [mm]	Dim. B [mm]	Dim. C [mm]
	783240	ZPD 100B100-20	1	pcs.	3,90	100	100	250
	783241	ZPD 150B100-20	1	pcs.	4,23	150	100	250
	783242	ZPD 200B100-20	1	pcs.	4,56	200	100	250
	783243	ZPD 250B100-20	1	pcs.	4,90	250	100	250
	783244	ZPD 300B100-20	1	pcs.	5,23	300	100	250
	783245	ZPD 400B100-20	1	pcs.	5,89	400	100	250
	783246	ZPD 500B100-20	1	pcs.	6,55	500	100	250
	783247	ZPD 600B100-20	1	pcs.	7,21	600	100	250

SYMMETRIC LADDER REDUCTION



Application:
Reducing width of cable routes.

Material:
Steel galvanized by Sendzimir method (EN 10327),
On request: hot deep galvanized steel (EN ISO 1461),
stainless steel (AISI 304 or AISI 316), aluminum,
powder coating on each of RAL colours.



RD ... B100-15

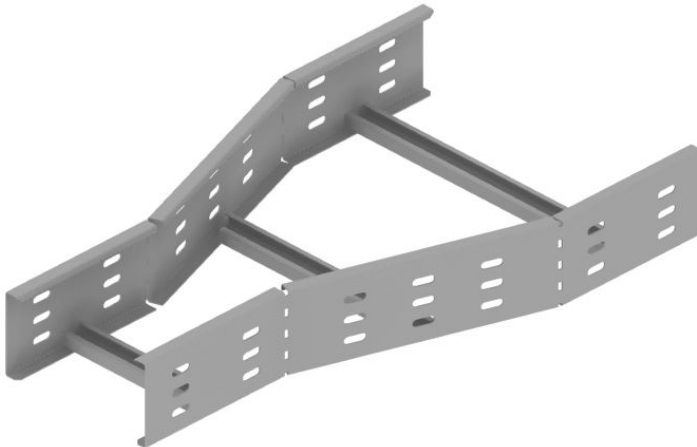
Cat. No.	Symbol	Jm	Weight [kg/pcs]	Dim. A [mm]	Dim. B [mm]	Dim. C [mm]	Dim. D [mm]
789022	RD 200/100B100-15	1	2,61	200	100	100	690
789023	RD 200/150B100-15	1	2,65	200	100	150	690
789024	RD 250/200B100-15	1	2,76	250	100	200	690
789025	RD 300/200B100-15	1	2,83	300	100	200	690
789026	RD 300/250B100-15	1	2,87	300	100	250	690
789027	RD 400/300B100-15	1	3,04	400	100	300	690
789028	RD 500/400B100-15	1	3,25	500	100	400	690
789029	RD 600/500B100-15	1	3,47	600	100	500	690

1,50

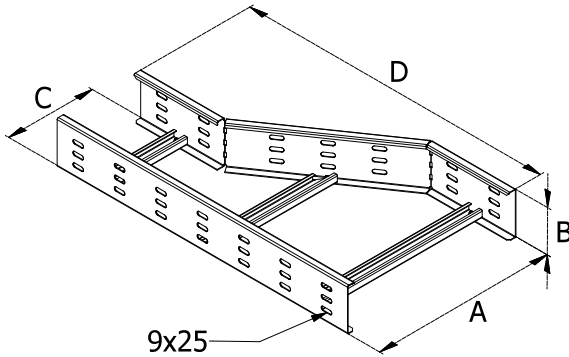
RD ... B100-20

Cat. No.	Symbol	Jm	Weight [kg/pcs]	Dim. A [mm]	Dim. B [mm]	Dim. C [mm]	Dim. D [mm]
789062	RD 200/100B100-20	1	3,48	200	100	100	690
789063	RD 200/150B100-20	1	3,54	200	100	150	690
789064	RD 250/200B100-20	1	3,68	250	100	200	690
789065	RD 300/200B100-20	1	3,77	300	100	200	690
789066	RD 300/250B100-20	1	3,82	300	100	250	690
789067	RD 400/300B100-20	1	4,05	400	100	300	690
789068	RD 500/400B100-20	1	4,34	500	100	400	690
789069	RD 600/500B100-20	1	4,62	600	100	500	690

2,00





LADDER REDUCTION LEFT

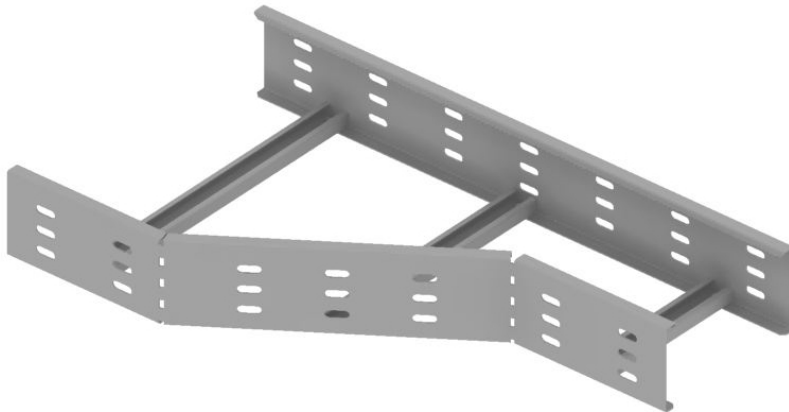


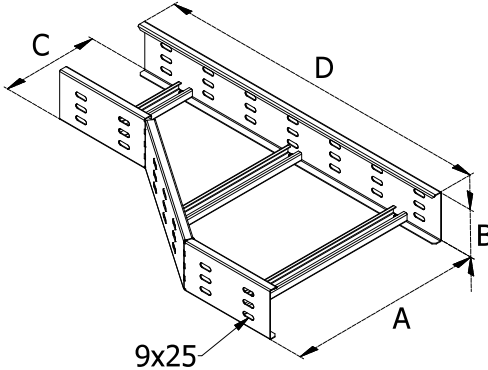
Application:
Reducing width of cable routes.

Material:
Steel galvanized by Sendzimir method (EN 10327),
On request: hot deep galvanized steel (EN ISO 1461),
stainless steel (AISI 304 or AISI 316), aluminum,
powder coating on each of RAL colours.

RDL . . . B100-15									
1,50	Cat. No.	Symbol		Jm	Weight [kg/pcs]	Dim. A [mm]	Dim. B [mm]	Dim. C [mm]	Dim. D [mm]
	789102	RDL 200/100B100-15	1	pcs.	2,61	200	100	100	690
	789103	RDL 200/150B100-15	1	pcs.	2,65	200	100	150	690
	789104	RDL 250/200B100-15	1	pcs.	2,76	250	100	200	690
	789105	RDL 300/200B100-15	1	pcs.	2,83	300	100	200	690
	789106	RDL 300/250B100-15	1	pcs.	2,87	300	100	250	690
	789107	RDL 400/300B100-15	1	pcs.	3,04	400	100	300	690
	789108	RDL 500/400B100-15	1	pcs.	3,25	500	100	400	690
	789109	RDL 600/500B100-15	1	pcs.	3,47	600	100	500	690

RDL . . . B100-20									
2,00	Cat. No.	Symbol		Jm	Weight [kg/pcs]	Dim. A [mm]	Dim. B [mm]	Dim. C [mm]	Dim. D [mm]
	789142	RDL 200/100B100-20	1	pcs.	3,48	200	100	100	690
	789143	RDL 200/150B100-20	1	pcs.	3,54	200	100	150	690
	789144	RDL 250/200B100-20	1	pcs.	3,68	250	100	200	690
	789145	RDL 300/200B100-20	1	pcs.	3,77	300	100	200	690
	789146	RDL 300/250B100-20	1	pcs.	3,82	300	100	250	690
	789147	RDL 400/300B100-20	1	pcs.	4,05	400	100	300	690
	789148	RDL 500/400B100-20	1	pcs.	4,34	500	100	400	690
	789149	RDL 600/500B100-20	1	pcs.	4,62	600	100	500	690





Application:
Reducing width of cable routes.

Material:
Steel galvanized by Sendzimir method (EN 10327),
On request: hot deep galvanized steel (EN ISO 1461),
stainless steel (AISI 304 or AISI 316), aluminum,
powder coating on each of RAL colours.

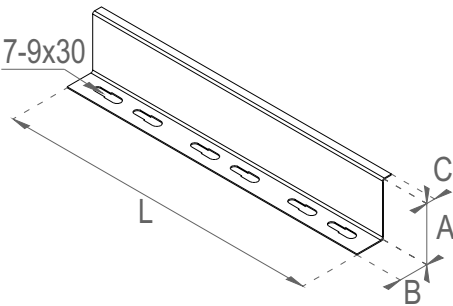
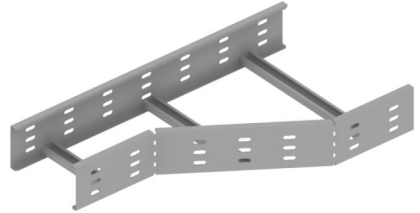


RDP ... B100-15

1,50	Cat. No.	Symbol		Jm	Weight	Dim.	Dim.	Dim.	Dim.
				[kg/pcs]	A [mm]	B [mm]	C [mm]	D [mm]	
	789182	RDP 200/100B100-15	1	pcs.	2,61	200	100	100	690
	789183	RDP 200/150B100-15	1	pcs.	2,65	200	100	150	690
	789184	RDP 250/200B100-15	1	pcs.	2,76	250	100	200	690
	789185	RDP 300/200B100-15	1	pcs.	2,83	300	100	200	690
	789186	RDP 300/250B100-15	1	pcs.	2,87	300	100	250	690
	789187	RDP 400/300B100-15	1	pcs.	3,04	400	100	300	690
	789188	RDP 500/400B100-15	1	pcs.	3,25	500	100	400	690
	789189	RDP 600/500B100-15	1	pcs.	3,47	600	100	500	690

RDP ... B100-20

2,00	Cat. No.	Symbol		Jm	Weight	Dim.	Dim.	Dim.	Dim.
				[kg/pcs]	A [mm]	B [mm]	C [mm]	D [mm]	
	789222	RDP 200/100B100-20	1	pcs.	3,48	200	100	100	690
	789223	RDP 200/150B100-20	1	pcs.	3,54	200	100	150	690
	789224	RDP 250/200B100-20	1	pcs.	3,68	250	100	200	690
	789225	RDP 300/200B100-20	1	pcs.	3,77	300	100	200	690
	789226	RDP 300/250B100-20	1	pcs.	3,82	300	100	250	690
	789227	RDP 400/300B100-20	1	pcs.	4,05	400	100	300	690
	789228	RDP 500/400B100-20	1	pcs.	4,34	500	100	400	690
	789229	RDP 600/500B100-20	1	pcs.	4,62	600	100	500	690



LADDER PARTITION

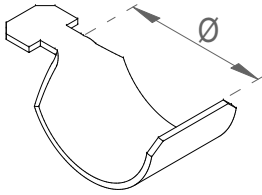
Application:
Cable tray dividing.

Material:
Steel galvanized by Sendzimir method (EN 10327),
On request: hot deep galvanized steel (EN ISO 1461),
stainless steel (AISI 304 or AISI 316), aluminum,
powder coating on each of RAL colours.

PDD B100-...

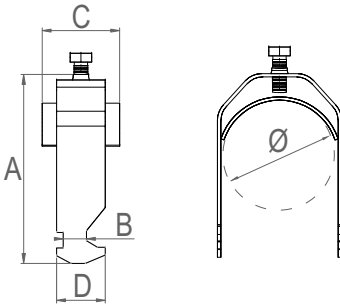
0,75-2,00	Cat. No.	Symbol		Jm	Weight	Dim.	Dim.	Dim.	Dim.
				[kg/m]	A [mm]	B [mm]	C [mm]	L [mm]	
	789493	PDD B100M-075	3	mb	0,74	90	30	10	3000
	789494	PDD B100-075	3	mb	0,74	90	30	10	3000
	789503	PDD B100M-10	3	mb	0,98	90	30	10	3000
	789504	PDD B100-10	3	mb	0,98	90	30	10	3000
	789513	PDD B100M-15	3	mb	1,44	90	30	10	3000
	789514	PDD B100-15	3	mb	1,44	90	30	10	3000
	789521	PDD B100M-20	3	mb	1,89	90	30	10	3000
	789522	PDD B100-20	3	mb	1,89	90	30	10	3000

Attention: The symbol of the partition containing the M means the partition installed in the ladder.



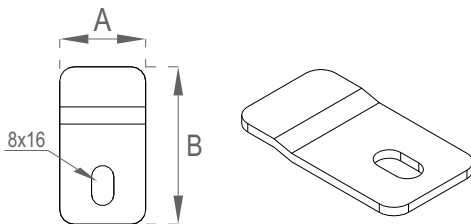
WKD ...						
Cat. No.	Symbol		Jm	Weight [kg/m]	Ø [mm]	
790561	WKD 20	100	pcs	0,012	20	
790562	WKD 25	100	pcs	0,014	25	
790563	WKD 35	100	pcs	0,019	35	
790564	WKD 40	100	pcs	0,022	40	
790565	WKD 50	100	pcs	0,027	50	
790566	WKD 60	100	pcs	0,032	60	

CABLE HOLDER



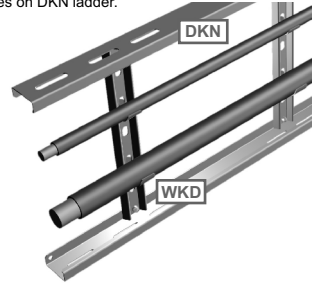
UKT ...										
Cat. No.	Symbol		Jm	Weight [kg/pcs]	Dim. A [mm]	Dim. B [mm]	Dim. C [mm]	Dim. D [mm]	Ø [mm]	
789530	UKT2 (14-23)	100	pcs	0,052	55	11	37	22	23	
789531	UKT3 (23-34)	100	pcs	0,059	66	11	37	22	34	
789532	UKT4 (34-42)	100	pcs	0,076	85	11	37	22	42	
789533	UKT5 (42-52)	100	pcs	0,085	85	11	37	22	52	
789534	UKT6 (52-64)	100	pcs	0,125	105	11	37	22	64	

FASTENING CLAMP



ZD						
Cat. No.	Symbol		Jm	Weight [kg/pcs]	Dim. A [mm]	Dim. B [mm]
786565	ZD	1	pcs	0,03	30	55

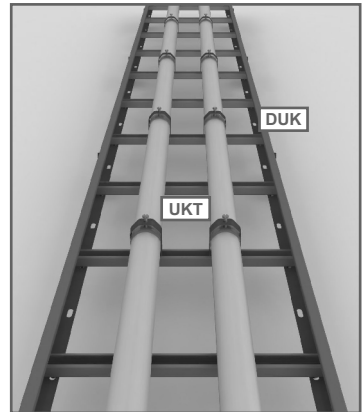
Application:
Hanging cables on DKN ladder.



Material:
Steel galvanized by Sendzimir method (EN 10327),
On request: hot deep galvanized steel (EN ISO 1461),
stainless steel (AISI 304 or AISI 316), aluminum,
powder coating on each of RAL colours.

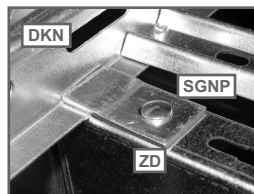
Application:
Fixing cables to DUK ladders.

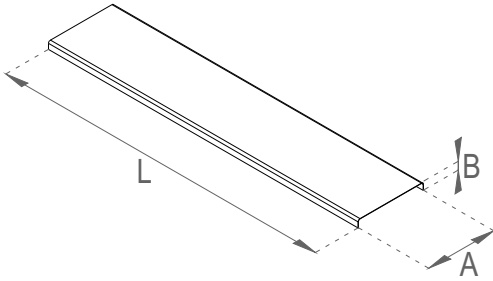
Material:
Steel galvanized by Sendzimir method (EN 10327).
On request: stainless steel (AISI 304 or 316)



Application:
Fixing ladders to brackets.

Material:
Steel galvanized by Sendzimir method (EN 10327).
On request: hot dip galvanized steel (EN ISO 1461),
powder coating on each of RAL colours.





Application:
Protecting cable ladder against damage.

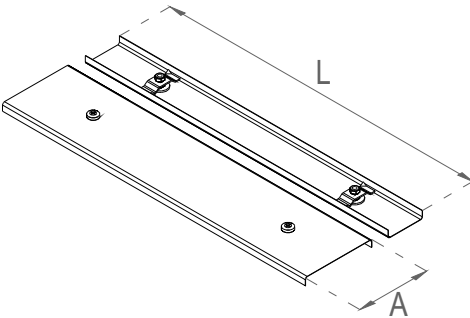
Material:
Steel galvanized by Sendzimir method (EN 10327),
On request: hot deep galvanized steel (EN ISO 1461),
stainless steel (AISI 304 or AISI 316), aluminum,
powder coating on each of RAL colours.

PD ...								
1,50	Cat. No.	Symbol		Jm	Weight [kg/m]	Dim. A [mm]	Dim. B [mm]	Dim. L [mm]
	789898	PD 100-15	3	mb	1,37	100	10	3000
	789899	PD 150-15	3	mb	1,97	150	10	3000
	789900	PD 200-15	3	mb	2,57	200	10	3000
	789901	PD 250-15	3	mb	3,17	250	10	3000
	789902	PD 300-15	3	mb	3,77	300	10	3000
	789903	PD 400-15	3	mb	4,97	400	10	3000
	789904	PD 500-15	3	mb	6,17	500	10	3000
	789905	PD 600-15	3	mb	7,37	600	10	3000

PD ...								
2,00	Cat. No.	Symbol		Jm	Weight [kg/m]	Dim. A [mm]	Dim. B [mm]	Dim. L [mm]
	789906	PD 100-20	3	mb	1,79	100	10	3000
	789907	PD 150-20	3	mb	2,59	150	10	3000
	789908	PD 200-20	3	mb	3,39	200	10	3000
	789909	PD 250-20	3	mb	4,19	250	10	3000
	789910	PD 300-20	3	mb	4,99	300	10	3000
	789911	PD 400-20	3	mb	6,59	400	10	3000
	789912	PD 500-20	3	mb	8,19	500	10	3000
	789913	PD 600-20	3	mb	9,79	600	10	3000



LADDER COVER WITH LOCK



Application:
Protecting cable ladder against damage.

Material:
Steel galvanized by Sendzimir method (EN 10327),
On request: hot deep galvanized steel (EN ISO 1461),
stainless steel (AISI 304 or AISI 316), aluminum,
powder coating on each of RAL colours.

PDZM ...								
1,50	Cat. No.	Symbol		Jm	Weight [kg/m]	Dim. A [mm]	Dim. B [mm]	Dim. L [mm]
	789914	PDZM 100-15	3	mb	1,37	100	10	3000
	789915	PDZM 150-15	3	mb	1,97	150	10	3000
	789916	PDZM 200-15	3	mb	2,57	200	10	3000
	789917	PDZM 250-15	3	mb	3,17	250	10	3000
	789918	PDZM 300-15	3	mb	3,77	300	10	3000
	789919	PDZM 400-15	3	mb	4,97	400	10	3000
	789920	PDZM 500-15	3	mb	6,17	500	10	3000
	789921	PDZM 600-15	3	mb	7,37	600	10	3000

PDZM ...								
2,00	Cat. No.	Symbol		Jm	Weight [kg/m]	Dim. A [mm]	Dim. B [mm]	Dim. L [mm]
	789922	PDZM 100-20	3	mb	1,79	100	10	3000
	789923	PDZM 150-20	3	mb	2,59	150	10	3000
	789924	PDZM 200-20	3	mb	3,39	200	10	3000
	789925	PDZM 250-20	3	mb	4,19	250	10	3000
	789926	PDZM 300-20	3	mb	4,99	300	10	3000
	789927	PDZM 400-20	3	mb	6,59	400	10	3000
	789928	PDZM 500-20	3	mb	8,19	500	10	3000
	789929	PDZM 600-20	3	mb	9,79	600	10	3000