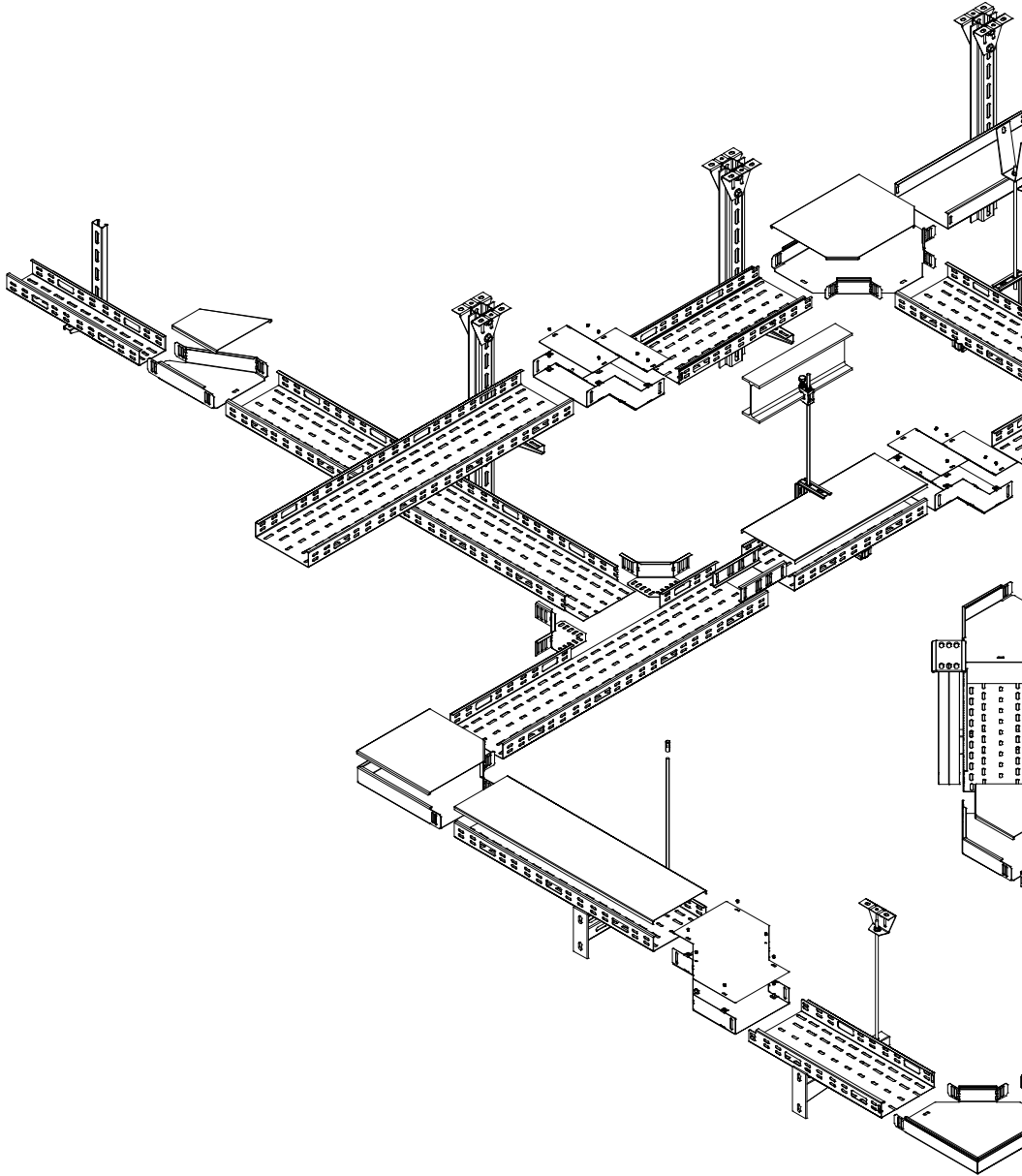
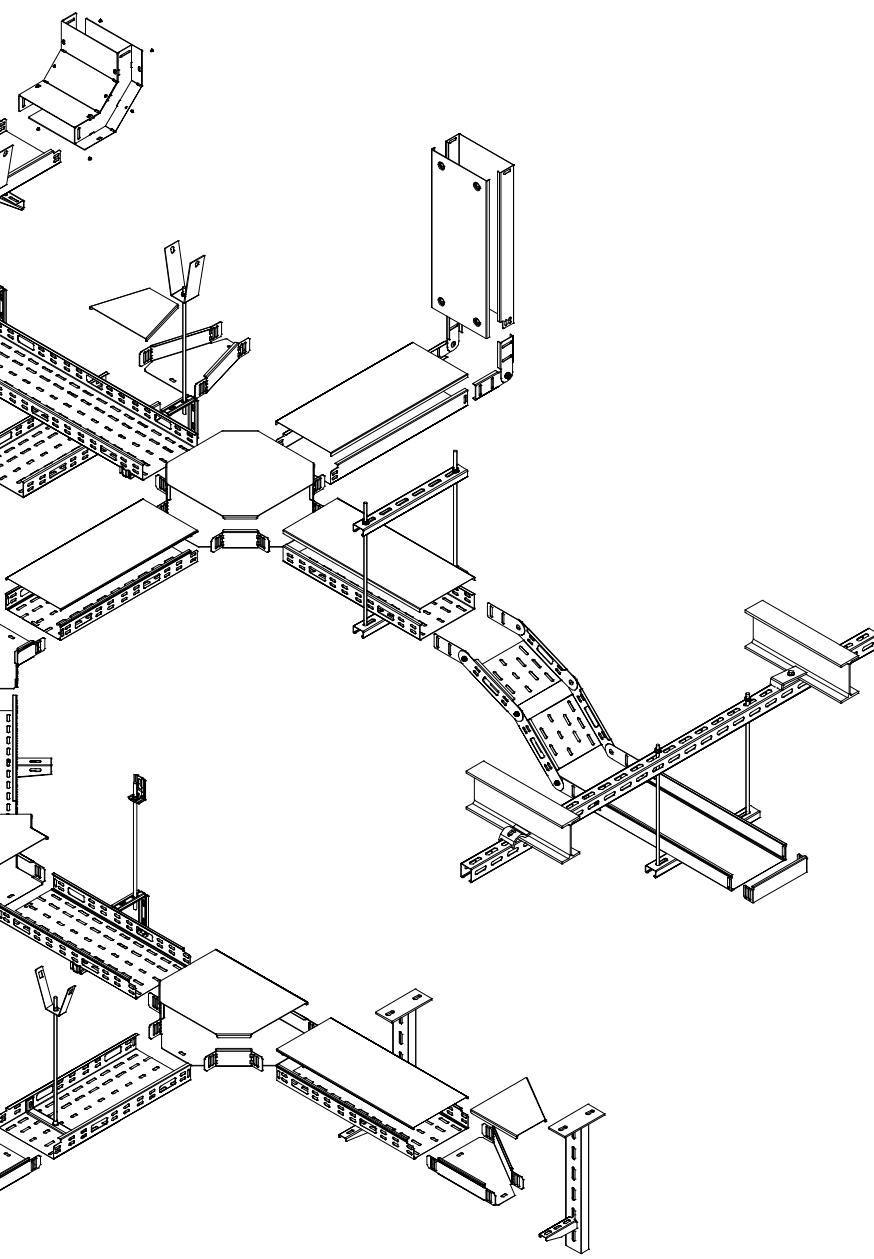
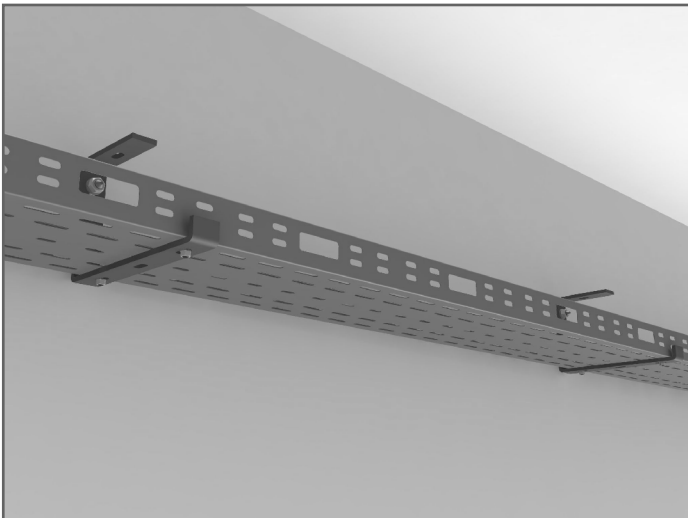


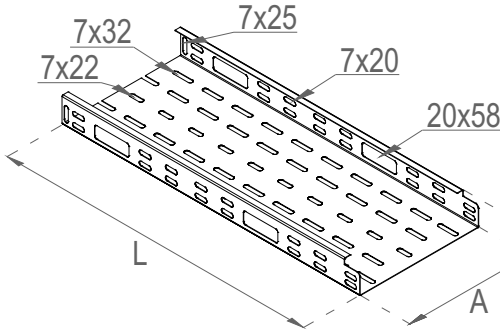
EXAMPLE ASSEMBLY OF CABLE TRAYS SYSTEM





CABLE TRAYS WITH SYSTEM OF CONECTIONS

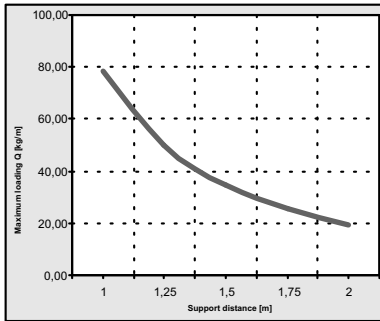




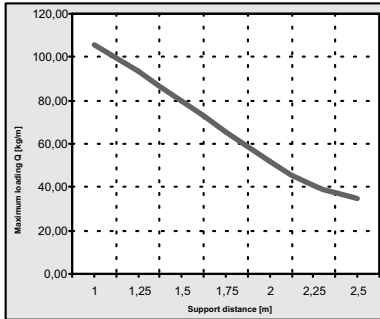
Application:
 Cable routing
 Connectorfree assembly
 For assembly use 4 sets of SGNKK M6x10.

Fitting elements:
 Covers PK i PKZM, connectors LKBZ, LKK, LPK, LUK, cap ZPK, partition PDK.

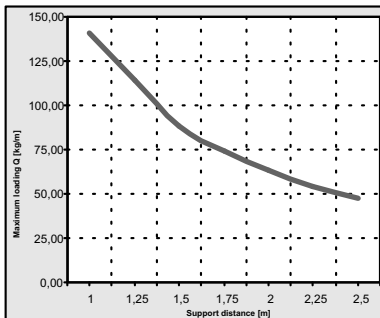
Material:
 Steel galvanized by Sendzimir method
 On request: hot deep galvanized steel (EN ISO 1461), stainless steel (AISI 304 or AISI 316), aluminum, powder coating on each of RAL colours.



KP...B42-055									
0.55	Cat. No.	Symbol		Jm	Weight [kg/m]	Dim. A [mm]	Dim. B [mm]	Dim. L [mm]	
		786461	KP 50B42-055		40	mb	0,59	50	42
	786462	KP 80B42-055		20	mb	0,71	80	42	2000
	786463	KP 100B42-055		20	mb	0,79	100	42	2000
	786464	KP 120B42-055		20	mb	0,87	120	42	2000
	786465	KP 150B42-055		20	mb	0,99	150	42	2000
	786466	KP 200B42-055		20	mb	1,19	200	42	2000
	786467	KP 250B42-055		20	mb	1,40	250	42	2000
	786468	KP 300B42-055		20	mb	1,76	300	42	2000

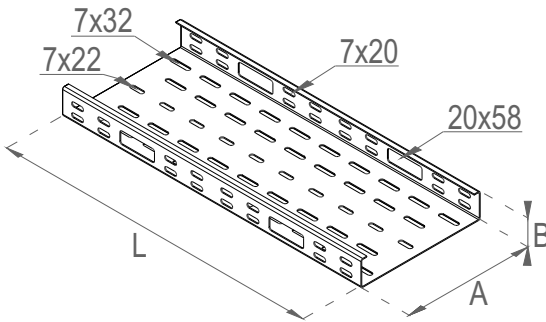


KP...B42-075									
0.75	Cat. No.	Symbol		Jm	Weight [kg/m]	Dim. A [mm]	Dim. B [mm]	Dim. L [mm]	
		783787	KP 50B42-075		60	mb	0,80	50	42
	783788	KP 80B42-075		30	mb	0,96	80	42	3000
	783789	KP 100B42-075		30	mb	1,07	100	42	3000
	783790	KP 120B42-075		30	mb	1,18	120	42	3000
	783791	KP 150B42-075		30	mb	1,34	150	42	3000
	783792	KP 200B42-075		24	mb	1,61	200	42	3000
	783793	KP 250B42-075		24	mb	1,90	250	42	3000
	783794	KP 300B42-075		18	mb	2,20	300	42	3000
	783795	KP 400B42-075		12	mb	2,81	400	42	3000
	783796	KP 500B42-075		12	mb	3,41	500	42	3000
	783797	KP 600B42-075		12	mb	4,06	600	42	3000



KP...B42-10									
1.00	Cat. No.	Symbol		Jm	Weight [kg/m]	Dim. A [mm]	Dim. B [mm]	Dim. L [mm]	
		783836	KP 50B42-10		60	mb	1,05	50	42
	783837	KP 80B42-10		30	mb	1,27	80	42	3000
	783838	KP 100B42-10		30	mb	1,41	100	42	3000
	783839	KP 120B42-10		30	mb	1,56	120	42	3000
	783840	KP 150B42-10		30	mb	1,77	150	42	3000
	783841	KP 200B42-10		24	mb	2,13	200	42	3000
	783842	KP 250B42-10		24	mb	2,52	250	42	3000
	783843	KP 300B42-10		18	mb	2,91	300	42	3000
	783844	KP 400B42-10		12	mb	3,73	400	42	3000
	783845	KP 500B42-10		12	mb	4,53	500	42	3000
	783846	KP 600B42-10		12	mb	5,40	600	42	3000

PERFORATED TRAY




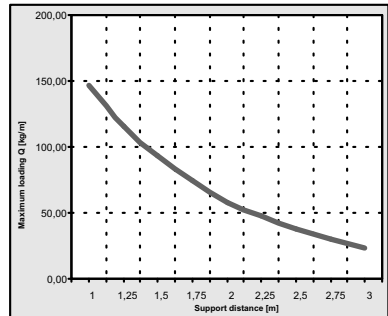
Application:
Cable routing

Fitting elements:
Covers PK, PKZM, connectors: LKBZ, LKK, LPK, LUK, partition PDK.


Material:
Steel galvanized by Sendzimir method
On request: hot deep galvanized steel (EN ISO 1461), stainless steel (AISI 304 or AISI 316), aluminum, powder coating on each of RAL colours.

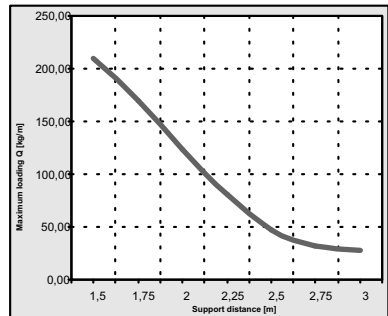
KP...B42-12

1,20	Cat. No.	Symbol		Jm	Weight [kg/m]	Dim. A [mm]	Dim. B [mm]	Dim. L [mm]
	789686	KP 100B42-12	3	mb	1,68	100	42	3000
	789687	KP 120B42-12	3	mb	1,85	120	42	3000
	789688	KP 150B42-12	3	mb	2,11	150	42	3000
	789689	KP 200B42-12	3	mb	2,54	200	42	3000
	789690	KP 250B42-12	3	mb	3,01	250	42	3000
	789691	KP 300B42-12	3	mb	3,48	300	42	3000
	789692	KP 400B42-12	3	mb	4,46	400	42	3000
	789693	KP 500B42-12	3	mb	5,42	500	42	3000
	789694	KP 600B42-12	3	mb	6,47	600	42	3000



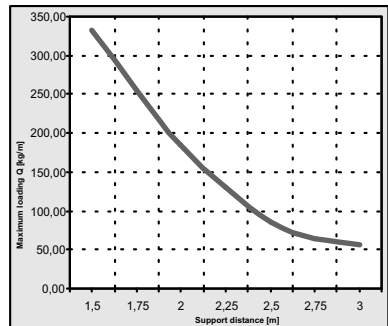
KP...B42-15

1,50	Cat. No.	Symbol		Jm	Weight [kg/m]	Dim. A [mm]	Dim. B [mm]	Dim. L [mm]
	783884	KP 100B42-15	3	mb	2,07	100	42	3000
	783885	KP 120B42-15	3	mb	2,29	120	42	3000
	783886	KP 150B42-15	3	mb	2,61	150	42	3000
	783887	KP 200B42-15	3	mb	3,15	200	42	3000
	783888	KP 250B42-15	3	mb	3,73	250	42	3000
	783889	KP 300B42-15	3	mb	4,33	300	42	3000
	783890	KP 400B42-15	3	mb	5,55	400	42	3000
	783891	KP 500B42-15	3	mb	6,75	500	42	3000
	783892	KP 600B42-15	3	mb	8,05	600	42	3000



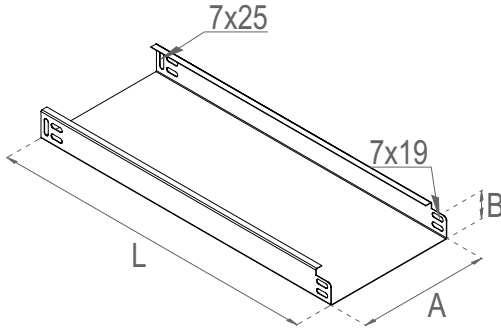
KP...B42-20

2,00	Cat. No.	Symbol		Jm	Weight [kg/m]	Dim. A [mm]	Dim. B [mm]	Dim. L [mm]
	786679	KP 100B42-20	3	mb	2,71	100	42	3000
	786680	KP 120B42-20	3	mb	3,00	120	42	3000
	786681	KP 150B42-20	3	mb	3,43	150	42	3000
	786682	KP 200B42-20	3	mb	4,15	200	42	3000
	786683	KP 250B42-20	3	mb	4,92	250	42	3000
	786684	KP 300B42-20	3	mb	5,71	300	42	3000
	786685	KP 400B42-20	3	mb	7,34	400	42	3000
	786686	KP 500B42-20	3	mb	8,94	500	42	3000
	786687	KP 600B42-20	3	mb	10,68	600	42	3000



TRAY WITHOUT PERFORATION

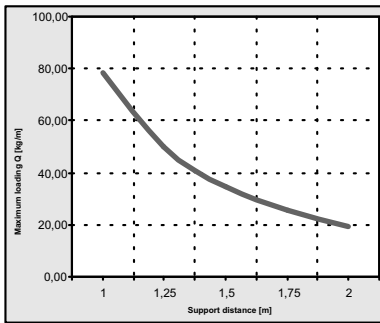
B42



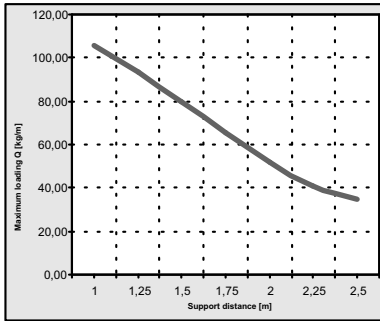
Application:
Cable routing
Connectorfree assembly
For assembly use 4 sets of SGNKK M6x10.

Fitting elements:
Covers PK, PKZM, connectors LKBZ, LKK, LPK, LUK, partition PDK.

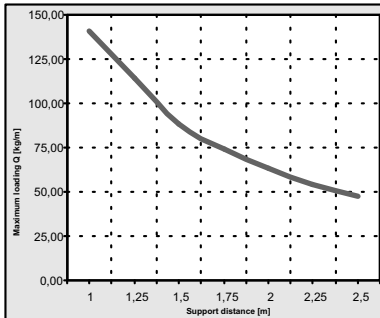
Material:
Steel galvanized by Sendzimir method
On request: hot deep galvanized steel (EN ISO 1461), stainless steel (AISI 304 or AISI 316), aluminum, powder coating on each of RAL colours.



KB ...B42 ...								
0,55	Cat. No.	Symbol		Jm	Weight [kg/m]	Dim. A [mm]	Dim. B [mm]	Dim. L [mm]
	786470	KB 50B42-055		40	mb	0,68	55	42
786471	KB 80B42-055		20	mb	0,79	80	42	2000
786472	KB 100B42-055		20	mb	0,88	100	42	2000
786473	KB 120B42-055		20	mb	0,97	120	42	2000
786474	KB 150B42-055		20	mb	1,10	150	42	2000
786475	KB 200B42-055		20	mb	1,32	200	42	2000
786476	KB 250B42-055		20	mb	1,54	250	42	2000
786477	KB 300B42-055		20	mb	1,76	300	42	2000

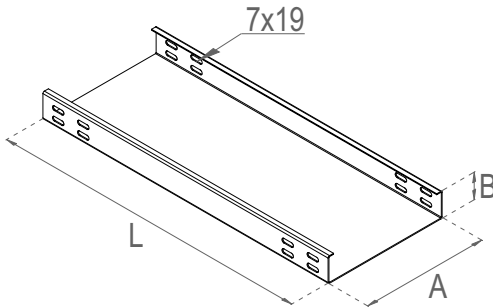


KB ...B42 ...								
0,75	Cat. No.	Symbol		Jm	Weight [kg/m]	Dim. A [mm]	Dim. B [mm]	Dim. L [mm]
	783955	KB 50B42-075		60	mb	0,89	50	42
783956	KB 80B42-075		30	mb	1,07	80	42	3000
783957	KB 100B42-075		30	mb	1,19	100	42	3000
783958	KB 120B42-075		30	mb	1,31	120	42	3000
783959	KB 150B42-075		30	mb	1,49	150	42	3000
783960	KB 200B42-075		24	mb	1,79	200	42	3000
783961	KB 250B42-075		24	mb	2,09	250	42	3000
783962	KB 300B42-075		18	mb	2,39	300	42	3000
783963	KB 400B42-075		12	mb	2,99	400	42	3000
783964	KB 500B42-075		12	mb	3,59	500	42	3000
783965	KB 600B42-075		12	mb	4,19	600	42	3000



KB ...B42 ...								
1,00	Cat. No.	Symbol		Jm	Weight [kg/m]	Dim. A [mm]	Dim. B [mm]	Dim. L [mm]
	784004	KB 50B42-10		60	mb	1,17	50	42
784005	KB 80B42-10		30	mb	1,41	80	42	3000
784006	KB 100B42-10		30	mb	1,57	100	42	3000
784007	KB 120B42-10		30	mb	1,73	120	42	3000
784008	KB 150B42-10		30	mb	1,97	150	42	3000
784009	KB 200B42-10		24	mb	2,37	200	42	3000
784010	KB 250B42-10		24	mb	2,77	250	42	3000
784011	KB 300B42-10		18	mb	3,17	300	42	3000
784012	KB 400B42-10		12	mb	3,97	400	42	3000
784013	KB 500B42-10		12	mb	4,77	500	42	3000
784014	KB 600B42-10		12	mb	5,57	600	42	3000

TRAY WITHOUT PERFORATION




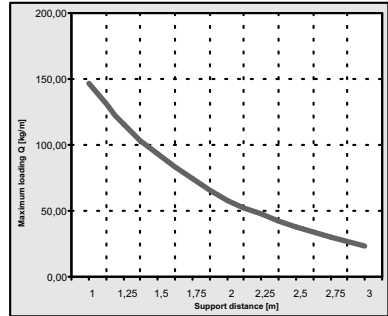
Application:
Cable routing

Fitting elements:
Covers PK, PKZM, connectors LKBZ, LKK, LPK, LUK, partition PDK.


Material:
Steel galvanized by Sendzimir method (EN 10327)
On request: hot deep galvanized steel (EN ISO 1461), stainless steel (AISI 304 or AISI 316), aluminum, powder coating on each of RAL colours.

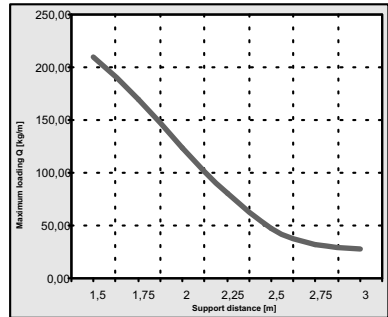
KB ...B42-12

1,20	Cat. No.	Symbol		Jm	Weight [kg/m]	Dim. A [mm]	Dim. B [mm]	Dim. L [mm]
	789732	KB 100B42-12	3	mb	1,87	100	42	3000
	789733	KB 120B42-12	3	mb	2,06	120	42	3000
	789734	KB 150B42-12	3	mb	2,35	150	42	3000
	789735	KB 200B42-12	3	mb	2,83	200	42	3000
	789736	KB 250B42-12	3	mb	3,31	250	42	3000
	789737	KB 300B42-12	3	mb	3,79	300	42	3000
	789738	KB 400B42-12	3	mb	4,75	400	42	3000
	789739	KB 500B42-12	3	mb	5,71	500	42	3000
	789740	KB 600B42-12	3	mb	6,67	600	42	3000




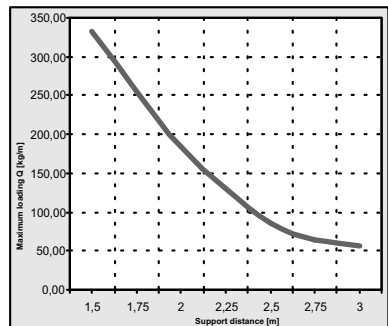
KB ...B42-15

1,50	Cat. No.	Symbol		Jm	Weight [kg/m]	Dim. A [mm]	Dim. B [mm]	Dim. L [mm]
	784055	KB 100B42-15	3	mb	2,30	100	42	3000
	784056	KB 120B42-15	3	mb	2,54	120	42	3000
	784057	KB 150B42-15	3	mb	2,90	150	42	3000
	784058	KB 200B42-15	3	mb	3,50	200	42	3000
	784059	KB 250B42-15	3	mb	4,10	250	42	3000
	784060	KB 300B42-15	3	mb	4,70	300	42	3000
	784061	KB 400B42-15	3	mb	5,90	400	42	3000
	784062	KB 500B42-15	3	mb	7,10	500	42	3000
	784063	KB 600B42-15	3	mb	8,30	600	42	3000



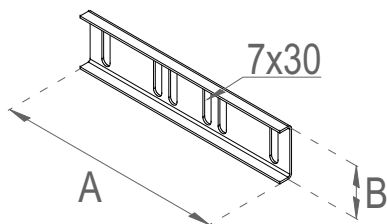
KB ...B42-20

2,00	Cat. No.	Symbol		Jm	Weight [kg/m]	Dim. A [mm]	Dim. B [mm]	Dim. L [mm]
	786633	KB 100B42-20	3	mb	3,01	100	42	3000
	786634	KB 120B42-20	3	mb	3,33	120	42	3000
	786635	KB 150B42-20	3	mb	3,81	150	42	3000
	786636	KB 200B42-20	3	mb	4,61	200	42	3000
	786637	KB 250B42-20	3	mb	5,41	250	42	3000
	786638	KB 300B42-20	3	mb	6,21	300	42	3000
	786639	KB 400B42-20	3	mb	7,81	400	42	3000
	786640	KB 500B42-20	3	mb	9,41	500	42	3000
	786641	KB 600B42-20	3	mb	11,01	600	42	3000



TRAY CONNECTOR

B42



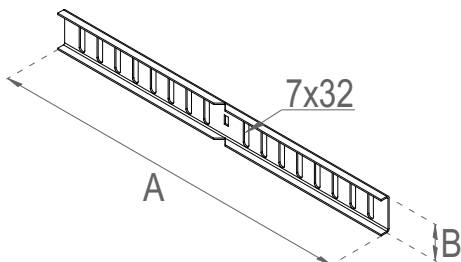
Application:
Connecting cable trays.
Suitable for trays: KP, KB.
For assembly use 4 sets of SGNKK M6x10.

Material:
Steel galvanized by Sendzimir method (EN 10327)
On request: hot deep galvanized steel (EN ISO 1461),
stainless steel (AISI 304 or AISI 316), aluminum,
powder coating on each of RAL colours.

LKBZ B42

Cat. No.	Symbol	Jm	Weight [kg/pc.]	Dim. A [mm]	Dim. B [mm]
785400	LKBZ B42	80 pcs.	0,05	170	39

ANGULAR TRAY CONNECTOR



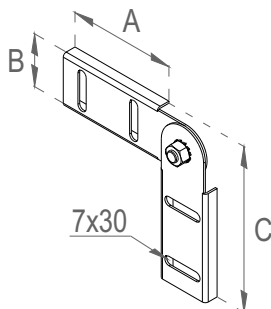
Application:
Horizontal angle connection.
Suitable for trays: KP, KB.
For assembly use 4 sets of SGNKK M6x10.

Material:
Steel galvanized by Sendzimir method (EN 10327)
On request: hot deep galvanized steel (EN ISO 1461),
stainless steel (AISI 304 or AISI 316), aluminum,
powder coating on each of RAL colours.

LKK B42

Cat. No.	Symbol	Jm	Weight [kg/pc.]	Dim. A [mm]	Dim. B [mm]
786495	LKK B42	1 pcs.	0,04	400	39

ADJUSTABLE TRAY CONNECTOR



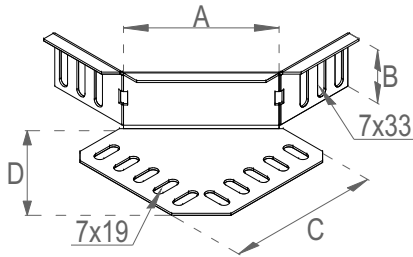
Application:
Vertical angle connection.
Suitable for trays: KP, KB.
For assembly use 4 sets of SGNKK M6x10.

Material:
Steel galvanized by Sendzimir method (EN 10327)
On request: hot deep galvanized steel (EN ISO 1461),
stainless steel (AISI 304 or AISI 316), aluminum,
powder coating on each of RAL colours.

LPK B42

Cat. No.	Symbol	Jm	Weight [kg/pc.]	Dim. A [mm]	Dim. B [mm]	Dim. C [mm]
785405	LPK B42	1 pcs.	0,14	80	39	122

UNIVERSAL TRAY CONNECTOR

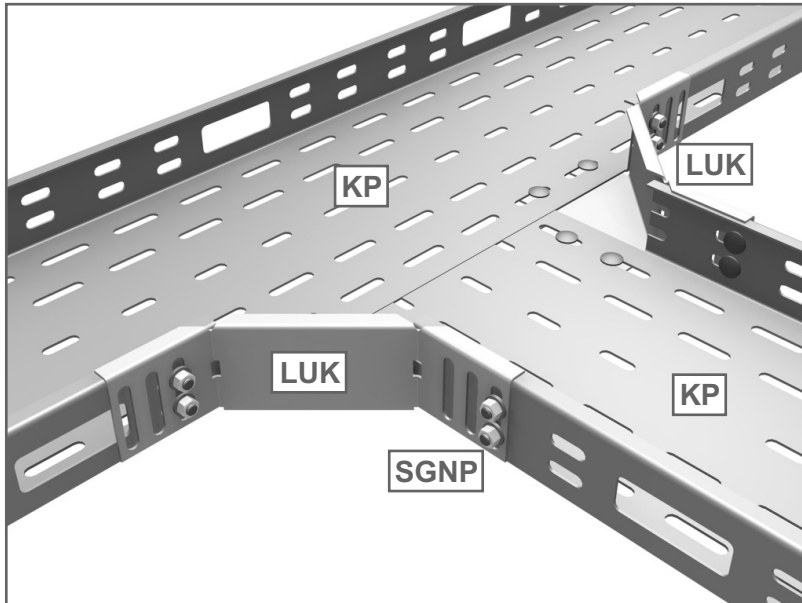


Application:
Branching out cable tray.
Suitable for trays: KP, KB.
For assembly use 8 sets of SGNKK M6x10.

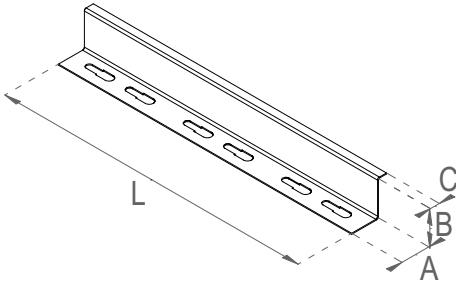
Material:
Steel galvanized by Sendzimir method (EN 10327)
On request: hot deep galvanized steel (EN ISO 1461),
stainless steel (AISI 304 or AISI 316), aluminum,
powder coating on each of RAL colours.

LUK B42

Cat. No.	Symbol		Jm	Weight [kg/pc.]	Dim. A [mm]	Dim. B [mm]	Dim. C [mm]	Dim. D [mm]
786628	LUK B42		100 pcs.	0,05	95	45	110	90



B42



Application:
Cable tray dividing.
Suitable for trays: KP, KB.

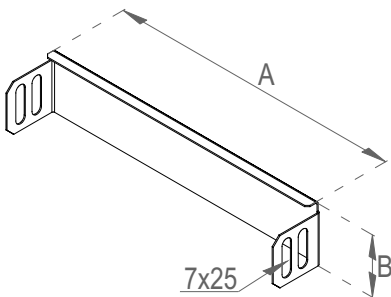
Material:
Steel galvanized by Sendzimir method (EN 10327)
On request: hot deep galvanized steel (EN ISO 1461), stainless steel (AISI 304 or AISI 316), aluminum, powder coating on each of RAL colours.

PDK B42... .

0,55 - 2,00	Cat. No.	Symbol		Jm	Weight [kg/m]	Dim. A [mm]	Dim. B [mm]	Dim. C [mm]	Dim. L [mm]	
	784101	PDK B42M-055		2	mb	0,28	30	40	10	2000
	784102	PDK B42-055		2	mb	0,28	30	40	10	2000
	784111	PDK B42M-075		3	mb	0,38	30	40	10	3000
	784112	PDK B42-075		3	mb	0,38	30	40	10	3000
	784121	PDK B42M-10		3	mb	0,50	30	40	10	3000
	784122	PDK B42-10		3	mb	0,50	30	40	10	3000
	784131	PDK B42M-15		3	mb	0,72	30	40	10	3000
	784132	PDK B42-15		3	mb	0,72	30	40	10	3000

Attention: The symbol of the partition containing the M means the partition installed in the tray.

TRAY CAP

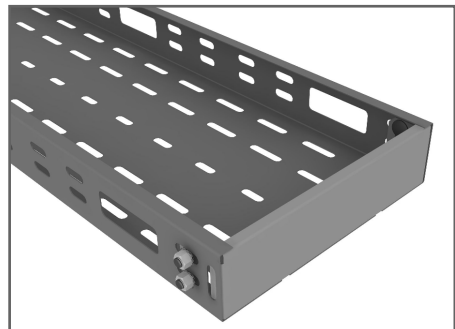


Application:
Cable tray ending.
Suitable for trays: KP, KB.

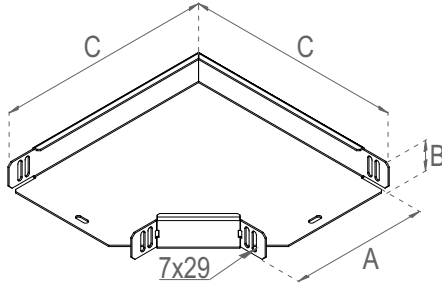
Material:
Steel galvanized by Sendzimir method (EN 10327)
On request: hot deep galvanized steel (EN ISO 1461), stainless steel (AISI 304 or AISI 316), aluminum, powder coating on each of RAL colours.

ZPK ...B42-075

0,75	Cat. No.	Symbol		Jm	Weight [kg/pc.]	Dim. A [mm]	Dim. B [mm]	
	788608	ZPK 50B42-075		1	pcs.	0,03	48	40
	788609	ZPK 80B42-075		1	pcs.	0,05	78	40
	788610	ZPK 100B42-075		1	pcs.	0,05	98	40
	788611	ZPK 120B42-075		1	pcs.	0,06	118	40
	788612	ZPK 150B42-075		1	pcs.	0,07	148	40
	788613	ZPK 200B42-075		1	pcs.	0,09	198	40
	788614	ZPK 250B42-075		1	pcs.	0,11	248	40
	788615	ZPK 300B42-075		1	pcs.	0,14	298	40
	788616	ZPK 400B42-075		1	pcs.	0,17	398	40
	788617	ZPK 500B42-075		1	pcs.	0,21	498	40
	788618	ZPK 600B42-075		1	pcs.	0,25	598	40



HORIZONTAL BEND



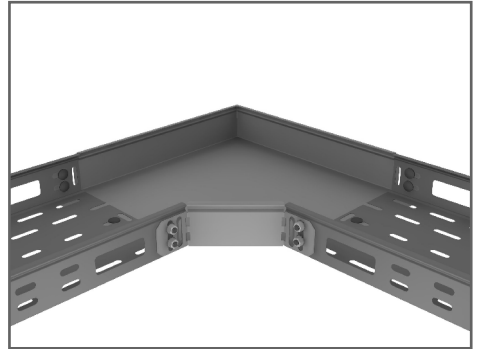
Application:
Horizontal change of direction of cable routes.

Fitting elements:
Cover PKK

Material:
Steel galvanized by Sendzimir method (EN 10327)
On request: hot deep galvanized steel (EN ISO 1461),
stainless steel (AISI 304 or AISI 316), aluminum,
powder coating on each of RAL colours.

KK...B42-075

Cat. No.	Symbol	Jm	Weight [kg/pc.]	Dim. [mm]		
				A	B	C
784185	KK 50B42-075	1 pcs.	0,28	58	45	170
784186	KK 80B42-075	1 pcs.	0,36	83	45	200
784187	KK 100B42-075	1 pcs.	0,39	103	45	210
784188	KK 120B42-075	1 pcs.	0,45	123	45	230
784189	KK 150B42-075	1 pcs.	0,56	153	45	260
784190	KK 200B42-075	1 pcs.	0,78	203	45	315
784191	KK 250B42-075	1 pcs.	1,01	253	45	365
784192	KK 300B42-075	1 pcs.	1,27	303	45	415



KK...B42-10

Cat. No.	Symbol	Jm	Weight [kg/pc.]	Dim. [mm]		
				A	B	C
784220	KK 50B42-10	1 pcs.	0,37	58	45	170
784221	KK 80B42-10	1 pcs.	0,48	83	45	200
784222	KK 100B42-10	1 pcs.	0,52	103	45	210
784223	KK 120B42-10	1 pcs.	0,61	123	45	230
784224	KK 150B42-10	1 pcs.	0,74	153	45	260
784225	KK 200B42-10	1 pcs.	1,04	203	45	315
784226	KK 250B42-10	1 pcs.	1,34	253	45	365
784227	KK 300B42-10	1 pcs.	1,69	303	45	415
784228	KK 400B42-10	1 pcs.	2,51	403	45	515
784229	KK 500B42-10	1 pcs.	3,48	503	45	615
784230	KK 600B42-10	1 pcs.	4,62	603	45	715

KK...B42-15

Cat. No.	Symbol	Jm	Weight [kg/pc.]	Dim. [mm]		
				A	B	C
784272	KK 100B42-15	1 pcs.	0,78	100	42	210
784273	KK 120B42-15	1 pcs.	0,91	120	42	230
784274	KK 150B42-15	1 pcs.	1,12	150	42	260
784275	KK 200B42-15	1 pcs.	1,56	200	42	315
784276	KK 250B42-15	1 pcs.	2,02	250	42	365
784277	KK 300B42-15	1 pcs.	2,54	300	42	415
784278	KK 400B42-15	1 pcs.	3,76	400	42	515
784279	KK 500B42-15	1 pcs.	5,23	500	42	615
784280	KK 600B42-15	1 pcs.	6,93	600	42	715

KK...B42-20

Cat. No.	Symbol	Jm	Weight [kg/pc.]	Dim. [mm]		
				A	B	C
786744	KK 100B42-20	1 pcs.	1,04	100	42	210
786745	KK 120B42-20	1 pcs.	1,21	120	42	230
786746	KK 150B42-20	1 pcs.	1,49	150	42	260
786747	KK 200B42-20	1 pcs.	2,07	200	42	315
786748	KK 250B42-20	1 pcs.	2,69	250	42	365
786749	KK 300B42-20	1 pcs.	3,39	300	42	415
786750	KK 400B42-20	1 pcs.	5,02	400	42	515
786751	KK 500B42-20	1 pcs.	6,97	500	42	615
786752	KK 600B42-20	1 pcs.	9,24	600	42	715

HORIZONTAL BEND 45°

B42

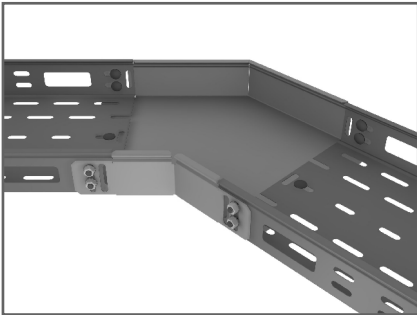
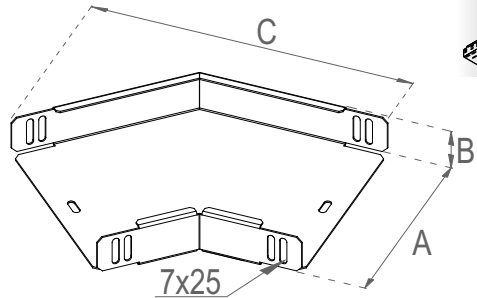


I

Application:
Horizontal change of direction of cable routes.

Fitting elements:
Cover PKK45.

Material:
Steel galvanized by Sendzimir method (EN 10327)
On request: hot deep galvanized steel (EN ISO 1461),
stainless steel (AISI 304 or AISI 316), aluminum,
powder coating on each of RAL colours.



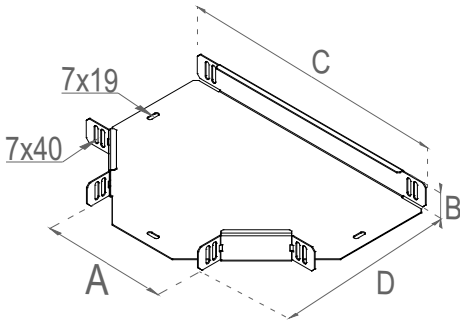
KK45 . . . B42-075						
Cat. No.	Symbol	Jm	Weight [kg/pc.]	Dim. A [mm]	Dim. B [mm]	Dim. C [mm]
788187	KK45 50B42-075	1 pcs.	0,19	58	45	45
788188	KK45 80B42-075	1 pcs.	0,25	83	45	200
788189	KK45 100B42-075	1 pcs.	0,27	103	45	210
788190	KK45 120B42-075	1 pcs.	0,32	123	45	230
788191	KK45 150B42-075	1 pcs.	0,39	153	45	260
788192	KK45 200B42-075	1 pcs.	0,54	203	45	315
788193	KK45 250B42-075	1 pcs.	0,71	253	45	365
788194	KK45 300B42-075	1 pcs.	0,89	303	45	415

KK45 . . . B42-10						
Cat. No.	Symbol	Jm	Weight [kg/pc.]	Dim. A [mm]	Dim. B [mm]	Dim. C [mm]
788222	KK45 50B42-10	1 pcs.	0,26	58	45	170
788223	KK45 80B42-10	1 pcs.	0,34	83	45	200
788224	KK45 100B42-10	1 pcs.	0,36	103	45	210
788225	KK45 120B42-10	1 pcs.	0,42	123	45	230
788226	KK45 150B42-10	1 pcs.	0,52	153	45	260
788227	KK45 200B42-10	1 pcs.	0,73	203	45	315
788228	KK45 250B42-10	1 pcs.	0,94	253	45	365
788229	KK45 300B42-10	1 pcs.	1,18	303	45	415
788230	KK45 400B42-10	1 pcs.	1,76	403	45	515
788231	KK45 500B42-10	1 pcs.	2,44	503	45	615
788232	KK45 600B42-10	1 pcs.	3,23	603	45	715

KK45 . . . B42-15						
Cat. No.	Symbol	Jm	Weight [kg/pc.]	Dim. A [mm]	Dim. B [mm]	Dim. C [mm]
788272	KK45 100B42-15	1 pcs.	0,55	100	42	210
788273	KK45 120B42-15	1 pcs.	0,64	120	42	230
788274	KK45 150B42-15	1 pcs.	0,78	150	42	260
788275	KK45 200B42-15	1 pcs.	1,09	200	42	315
788276	KK45 250B42-15	1 pcs.	1,41	250	42	365
788277	KK45 300B42-15	1 pcs.	1,78	300	42	415
788278	KK45 400B42-15	1 pcs.	2,63	400	42	515
788279	KK45 500B42-15	1 pcs.	3,66	500	42	615
788280	KK45 600B42-15	1 pcs.	4,85	600	42	715

KK45 . . . B42-20						
Cat. No.	Symbol	Jm	Weight [kg/pc.]	Dim. A [mm]	Dim. B [mm]	Dim. C [mm]
788320	KK45 100B42-20	1 pcs.	0,73	100	42	210
788321	KK45 120B42-20	1 pcs.	0,85	120	42	230
788322	KK45 150B42-20	1 pcs.	1,04	150	42	260
788323	KK45 200B42-20	1 pcs.	1,45	200	42	315
788324	KK45 250B42-20	1 pcs.	1,88	250	42	365
788325	KK45 300B42-20	1 pcs.	2,37	300	42	415
788326	KK45 400B42-20	1 pcs.	3,51	400	42	515
788327	KK45 500B42-20	1 pcs.	4,88	500	42	615
788328	KK45 600B42-20	1 pcs.	6,47	600	42	715

HORIZONTAL TEE



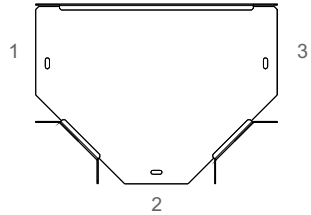
Application:
Branching out cable routes.

Fitting elements:
Cover PTK

Material:
Steel galvanized by Sendzimir method (EN 10327)
On request: hot deep galvanized steel (EN ISO 1461),
stainless steel (AISI 304 or AISI 316), aluminum,
powder coating on each of RAL colours.

TK...B42-075

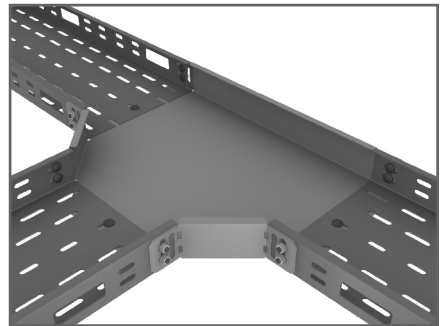
Cat. No.	Symbol	Jm	Weight [kg/pc.]	Dim. A [mm]	Dim. B [mm]	Dim. C [mm]	Dim. D [mm]
784350	TK 50B42-075	1	pcs. 0,33	58	45	275	160
784351	TK 80B42-075	1	pcs. 0,41	83	45	300	185
784352	TK 100B42-075	1	pcs. 0,48	103	45	315	210
784353	TK 120B42-075	1	pcs. 0,55	123	45	335	230
784354	TK 150B42-075	1	pcs. 0,66	153	45	365	260
784355	TK 200B42-075	1	pcs. 0,88	203	45	415	310
784356	TK 250B42-075	1	pcs. 1,12	253	45	465	360
784357	TK 300B42-075	1	pcs. 1,40	303	45	515	410



In case of special orders specify
dimensions: 1, 2, 3.
Example: TK 1/2/3B42-15

TK...B42-10

Cat. No.	Symbol	Jm	Weight [kg/pc.]	Dim. A [mm]	Dim. B [mm]	Dim. C [mm]	Dim. D [mm]
784385	TK 50B42-10	1	pcs. 0,44	53	45	275	160
784386	TK 80B42-10	1	pcs. 0,54	83	45	300	185
784387	TK 100B42-10	1	pcs. 0,64	103	45	315	210
784388	TK 120B42-10	1	pcs. 0,73	123	45	335	230
784389	TK 150B42-10	1	pcs. 0,88	153	45	365	260
784390	TK 200B42-10	1	pcs. 1,17	203	45	415	310
784391	TK 250B42-10	1	pcs. 1,50	253	45	465	360
784392	TK 300B42-10	1	pcs. 1,86	303	45	515	410
784393	TK 400B42-10	1	pcs. 2,72	403	45	615	510
784394	TK 500B42-10	1	pcs. 3,73	503	45	715	610
784395	TK 600B42-10	1	pcs. 4,90	603	45	815	710



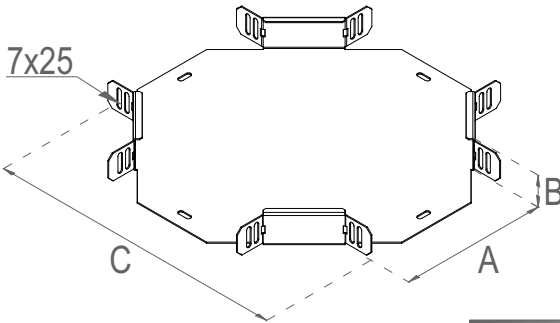
TK...B42-15

Cat. No.	Symbol	Jm	Weight [kg/pc.]	Dim. A [mm]	Dim. B [mm]	Dim. C [mm]	Dim. D [mm]
784437	TK 100B42-15	1	pcs. 0,95	100	42	315	210
784438	TK 120B42-15	1	pcs. 1,09	120	42	335	230
784439	TK 150B42-15	1	pcs. 1,32	150	42	365	260
784440	TK 200B42-15	1	pcs. 1,75	200	42	415	310
784441	TK 250B42-15	1	pcs. 2,24	250	42	465	360
784442	TK 300B42-15	1	pcs. 2,79	300	42	515	410
784443	TK 400B42-15	1	pcs. 4,07	400	42	615	510
784444	TK 500B42-15	1	pcs. 5,59	500	42	715	610
784445	TK 600B42-15	1	pcs. 7,35	600	42	815	710

TK...B42-20

Cat. No.	Symbol	Jm	Weight [kg/pc.]	Dim. A [mm]	Dim. B [mm]	Dim. C [mm]	Dim. D [mm]
786803	TK 100B42-20	1	pcs. 1,27	100	42	315	210
786804	TK 120B42-20	1	pcs. 1,46	120	42	335	230
786805	TK 150B42-20	1	pcs. 1,76	150	42	365	260
786806	TK 200B42-20	1	pcs. 2,34	200	42	415	310
786807	TK 250B42-20	1	pcs. 2,99	250	42	465	360
786808	TK 300B42-20	1	pcs. 3,72	300	42	515	410
786809	TK 400B42-20	1	pcs. 5,43	400	42	615	510
786810	TK 500B42-20	1	pcs. 7,46	500	42	715	610
786811	TK 600B42-20	1	pcs. 9,81	600	42	815	710

HORIZONTAL CROSS-OVER



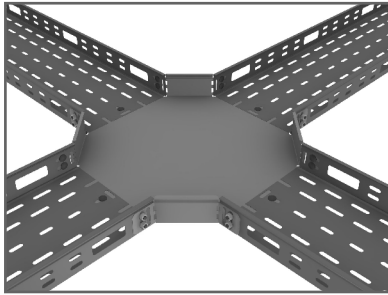
B42



Application:
Branching out cable routes.

Fitting elements:
Cover PCZK

Material:
Steel galvanized by Sendzimir method (EN 10327)
On request: hot deep galvanized steel (EN ISO 1461),
stainless steel (AISI 304 or AISI 316), aluminum,
powder coating on each of RAL colours.



CZK ...B42-075

Cat. No.	Symbol	Jm	Weight [kg/pc.]	Dim. A [mm]	Dim. B [mm]	Dim. C [mm]	0,75	
							pcs.	Jm
784514	CZK 50B42-075	1	0,49	58	45	270		
784515	CZK 80B42-075	1	0,61	83	45	300		
784516	CZK 100B42-075	1	0,70	103	45	320		
784517	CZK 120B42-075	1	0,80	123	45	340		
784518	CZK 150B42-075	1	0,95	153	45	370		
784519	CZK 200B42-075	1	1,22	203	45	420		
784520	CZK 250B42-075	1	1,52	253	45	470		
784521	CZK 300B42-075	1	1,86	303	45	520		

CZK ...B42-10

Cat. No.	Symbol	Jm	Weight [kg/pc.]	Dim. A [mm]	Dim. B [mm]	Dim. C [mm]	1,00	
							pcs.	Jm
784549	CZK 50B42-10	1	0,65	53	45	270		
784550	CZK 80B42-10	1	0,82	83	45	300		
784551	CZK 100B42-10	1	0,94	103	45	320		
784552	CZK 120B42-10	1	1,06	123	45	340		
784553	CZK 150B42-10	1	1,26	153	45	370		
784554	CZK 200B42-10	1	1,63	203	45	420		
784555	CZK 250B42-10	1	2,03	253	45	470		
784556	CZK 300B42-10	1	2,47	303	45	520		
784557	CZK 400B42-10	1	3,48	403	45	620		
784558	CZK 500B42-10	1	4,65	503	45	720		
784559	CZK 600B42-10	1	5,98	603	45	820		

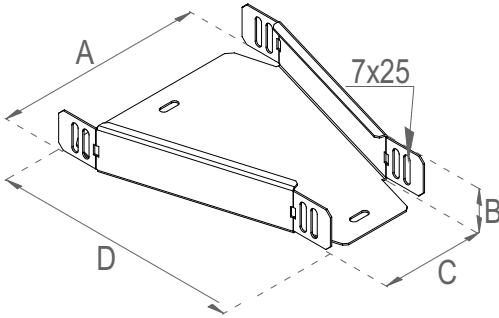
CZK ...B42-15

Cat. No.	Symbol	Jm	Weight [kg/pc.]	Dim. A [mm]	Dim. B [mm]	Dim. C [mm]	1,50	
							pcs.	Jm
784601	CZK 100B42-15	1	1,41	100	42	320		
784602	CZK 120B42-15	1	1,59	120	42	340		
784603	CZK 150B42-15	1	1,89	150	42	370		
784604	CZK 200B42-15	1	2,44	200	42	420		
784605	CZK 250B42-15	1	3,04	250	42	470		
784606	CZK 300B42-15	1	3,71	300	42	520		
784607	CZK 400B42-15	1	5,22	400	42	620		
784608	CZK 500B42-15	1	6,97	500	42	720		
784609	CZK 600B42-15	1	8,97	600	42	820		

CZK ...B42-20

Cat. No.	Symbol	Jm	Weight [kg/pc.]	Dim. A [mm]	Dim. B [mm]	Dim. C [mm]	2,00	
							pcs.	Jm
786862	CZK 100B42-20	1	1,88	100	42	320		
786863	CZK 120B42-20	1	2,13	120	42	340		
786864	CZK 150B42-20	1	2,52	150	42	370		
786865	CZK 200B42-20	1	3,25	200	42	420		
786866	CZK 250B42-20	1	4,06	250	42	470		
786867	CZK 300B42-20	1	4,95	300	42	520		
786868	CZK 400B42-20	1	6,96	400	42	620		
786869	CZK 500B42-20	1	9,30	500	42	720		
786870	CZK 600B42-20	1	11,96	600	42	820		

HORIZONTAL SYMMETRIC REDUCTION



Application:
Reducing width of cable routes.

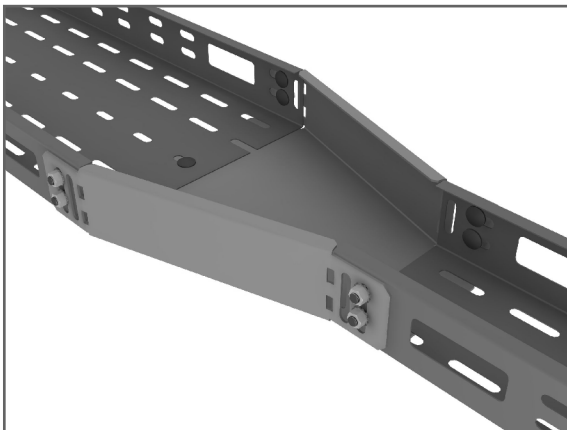
Fitting elements:
Cover PRK

Material:
Steel galvanized by Sendzimir method (EN 10327)
On request: hot deep galvanized steel (EN ISO 1461),
stainless steel (AISI 304 or AISI 316), aluminum,
powder coating on each of RAL colours.

RK ... B42-075

Cat. No.	Symbol	Jm	Weight [kg/pc.]	Dim. A [mm]	Dim. B [mm]	Dim. C [mm]	Dim. D [mm]
784679	RK 80/50B42-075	1	0,20	83	45	53	200
784680	RK 100/50B42-075	1	0,22	103	45	58	200
784681	RK 100/80B42-075	1	0,23	103	45	83	200
784682	RK 120/50B42-075	1	0,24	123	45	53	200
784683	RK 120/80B42-075	1	0,25	123	45	83	200
784684	RK 120/100B42-075	1	0,25	123	45	103	200
784685	RK 150/50B42-075	1	0,27	153	45	53	200
784686	RK 150/80B42-075	1	0,28	153	45	83	200
784687	RK 150/100B42-075	1	0,28	153	45	103	200
784688	RK 150/120B42-075	1	0,28	153	45	123	200
784689	RK 200/50B42-075	1	0,38	203	45	58	250
784690	RK 200/80B42-075	1	0,39	203	45	83	250
784691	RK 200/100B42-075	1	0,40	203	45	103	250
784692	RK 200/120B42-075	1	0,41	203	45	123	250
784693	RK 200/150B42-075	1	0,42	203	45	153	250
784694	RK 250/120B42-075	1	0,46	253	45	123	250
784695	RK 250/150B42-075	1	0,48	253	45	153	250
784696	RK 250/200B42-075	1	0,50	253	45	203	250
784697	RK 300/150B42-075	1	0,63	303	45	153	300
784698	RK 300/200B42-075	1	0,65	303	45	203	300
784699	RK 300/250B42-075	1	0,68	303	45	253	300
784700	RK 400/200B42-075	1	0,78	403	45	203	300
784701	RK 400/250B42-075	1	0,81	403	45	253	300
784702	RK 400/300B42-075	1	0,83	403	45	303	300
784703	RK 500/400B42-075	1	1,18	503	45	403	350
784704	RK 600/400B42-075	1	1,32	603	45	403	350
784705	RK 600/500B42-075	1	1,39	603	45	503	350

0,75



HORIZONTAL SYMMETRIC REDUCTION

RK...B42-10

1,00

Cat. No.	Symbol		Jm	Weight [kg/pcs.]	Dim. A [mm]	Dim. B [mm]	Dim. C [mm]	Dim. D [mm]
784791	RK 80/50B42-10	1	pcs.	0,27	83	45	53	200
784792	RK 100/50B42-10	1	pcs.	0,29	103	45	53	200
784793	RK 100/80B42-10	1	pcs.	0,30	103	45	83	200
784794	RK 120/50B42-10	1	pcs.	0,32	123	45	53	200
784795	RK 120/80B42-10	1	pcs.	0,33	123	45	83	200
784796	RK 120/100B42-10	1	pcs.	0,33	123	45	103	200
784797	RK 150/50B42-10	1	pcs.	0,36	153	45	53	200
784798	RK 150/80B42-10	1	pcs.	0,37	153	45	83	200
784799	RK 150/100B42-10	1	pcs.	0,37	153	45	103	200
784800	RK 150/120B42-10	1	pcs.	0,38	153	45	123	200
784801	RK 200/50B42-10	1	pcs.	0,51	203	45	53	250
784802	RK 200/80B42-10	1	pcs.	0,52	203	45	83	250
784803	RK 200/100B42-10	1	pcs.	0,53	203	45	103	250
784804	RK 200/120B42-10	1	pcs.	0,54	203	45	123	250
784805	RK 200/150B42-10	1	pcs.	0,56	203	45	153	250
784806	RK 250/120B42-10	1	pcs.	0,62	253	45	123	250
784807	RK 250/150B42-10	1	pcs.	0,63	253	45	153	250
784808	RK 250/200B42-10	1	pcs.	0,66	253	45	203	250
784809	RK 300/150B42-10	1	pcs.	0,84	303	45	153	300
784810	RK 300/200B42-10	1	pcs.	0,87	303	45	203	300
784811	RK 300/250B42-10	1	pcs.	0,91	303	45	253	300
784812	RK 400/200B42-10	1	pcs.	1,04	403	45	203	300
784813	RK 400/250B42-10	1	pcs.	1,08	403	45	253	300
784814	RK 400/300B42-10	1	pcs.	1,11	403	45	303	300
784815	RK 500/400B42-10	1	pcs.	1,57	503	45	403	350
784816	RK 600/400B42-10	1	pcs.	1,76	603	45	403	350
784817	RK 600/500B42-10	1	pcs.	1,85	603	45	503	350

B42

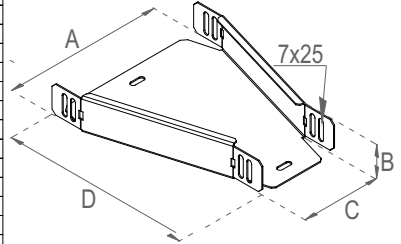


I

Application:
Reducing width of cable routes.

Fitting elements:
Cover PRK

Material:
Steel galvanized by Sendzimir method (EN 10327)
On request: hot deep galvanized steel (EN ISO 1461), stainless steel (AISI 304 or AISI 316), aluminum, powder coating on each of RAL colours.



RK...B42-15

1,50

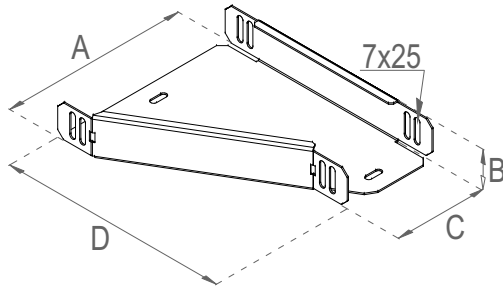
Cat. No.	Symbol		Jm	Weight [kg/pcs.]	Dim. A [mm]	Dim. B [mm]	Dim. C [mm]	Dim. D [mm]
784907	RK 120/100B42-15	1	pcs.	0,50	120	42	100	200
784910	RK 150/100B42-15	1	pcs.	0,56	150	42	100	200
784911	RK 150/120B42-15	1	pcs.	0,57	150	42	120	200
784914	RK 200/100B42-15	1	pcs.	0,80	200	42	100	250
784915	RK 200/120B42-15	1	pcs.	0,82	200	42	120	250
784916	RK 200/150B42-15	1	pcs.	0,84	200	42	150	250
784917	RK 250/120B42-15	1	pcs.	0,93	250	42	120	250
784918	RK 250/150B42-15	1	pcs.	0,95	250	42	150	250
784919	RK 250/200B42-15	1	pcs.	0,99	250	42	200	250
784920	RK 300/150B42-15	1	pcs.	1,25	300	42	150	300
784921	RK 300/200B42-15	1	pcs.	1,31	300	42	200	300
784922	RK 300/250B42-15	1	pcs.	1,36	300	42	250	300
784923	RK 400/200B42-15	1	pcs.	1,56	400	42	200	300
784924	RK 400/250B42-15	1	pcs.	1,61	400	42	250	300
784925	RK 400/300B42-15	1	pcs.	1,67	400	42	300	300
784926	RK 500/400B42-15	1	pcs.	2,35	500	42	400	350
784927	RK 600/400B42-15	1	pcs.	2,64	600	42	400	350
784928	RK 600/500B42-15	1	pcs.	2,77	600	42	500	350

RK...B42-20

2,00

Cat. No.	Symbol		Jm	Weight [kg/pcs.]	Dim. A [mm]	Dim. B [mm]	Dim. C [mm]	Dim. D [mm]
786921	RK 120/100B42-20	1	pcs.	0,67	120	42	100	200
786922	RK 150/100B42-20	1	pcs.	0,75	150	42	100	200
786923	RK 150/120B42-20	1	pcs.	0,76	150	42	120	200
786924	RK 200/100B42-20	1	pcs.	1,07	200	42	100	250
786925	RK 200/120B42-20	1	pcs.	1,09	200	42	120	250
786926	RK 200/150B42-20	1	pcs.	1,12	200	42	150	250
786927	RK 250/120B42-20	1	pcs.	1,24	250	42	120	250
786928	RK 250/150B42-20	1	pcs.	1,27	250	42	150	250
786929	RK 250/200B42-20	1	pcs.	1,32	250	42	200	250
786930	RK 300/150B42-20	1	pcs.	1,67	300	42	150	300
786931	RK 300/200B42-20	1	pcs.	1,74	300	42	200	300
786932	RK 300/250B42-20	1	pcs.	1,81	300	42	250	300
786933	RK 400/200B42-20	1	pcs.	2,08	400	42	200	300
786934	RK 400/250B42-20	1	pcs.	2,15	400	42	250	300
786935	RK 400/300B42-20	1	pcs.	2,22	400	42	300	300
786936	RK 500/400B42-20	1	pcs.	3,14	500	42	400	350
786937	RK 600/400B42-20	1	pcs.	3,51	600	42	400	350
786938	RK 600/500B42-20	1	pcs.	3,70	600	42	500	350

HORIZONTAL REDUCTION - LEFT



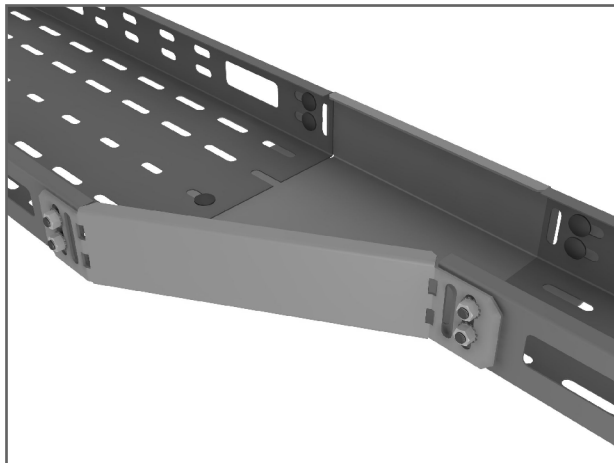
Application:
Reducing width of cable routes.

Fitting elements:
Cover PRKL

Material:
Steel galvanized by Sendzimir method (EN 10327)
On request: hot deep galvanized steel (EN ISO 1461),
stainless steel (AISI 304 or AISI 316), aluminum,
powder coating on each of RAL colours.

RKL . . . B42-075

Cat. No.	Symbol		Jm	Weight [kg/pc.]	Dim. A [mm]	Dim. B [mm]	Dim. C [mm]	Dim. D [mm]	0,75
787147	RKL 80/50B42-075	1	pcs.	0,20	83	45	53	200	
787148	RKL 100/50B42-075	1	pcs.	0,22	103	45	58	200	
787149	RKL 100/80B42-075	1	pcs.	0,23	103	45	83	200	
787150	RKL 120/50B42-075	1	pcs.	0,24	123	45	53	200	
787151	RKL 120/80B42-075	1	pcs.	0,25	123	45	83	200	
787152	RKL 120/100B42-075	1	pcs.	0,25	123	45	103	200	
787153	RKL 150/50B42-075	1	pcs.	0,27	153	45	53	200	
787154	RKL 150/80B42-075	1	pcs.	0,28	153	45	83	200	
787155	RKL 150/100B42-075	1	pcs.	0,28	153	45	103	200	
787156	RKL 150/120B42-075	1	pcs.	0,28	153	45	123	200	
787157	RKL 200/50B42-075	1	pcs.	0,38	203	45	58	250	
787158	RKL 200/80B42-075	1	pcs.	0,39	203	45	83	250	
787159	RKL 200/100B42-075	1	pcs.	0,40	203	45	103	250	
787160	RKL 200/120B42-075	1	pcs.	0,41	203	45	123	250	
787161	RKL 200/150B42-075	1	pcs.	0,42	203	45	153	250	
787162	RKL 250/120B42-075	1	pcs.	0,46	253	45	123	250	
787163	RKL 250/150B42-075	1	pcs.	0,48	253	45	153	250	
787164	RKL 250/200B42-075	1	pcs.	0,50	253	45	203	250	
787165	RKL 300/150B42-075	1	pcs.	0,63	303	45	153	300	
787166	RKL 300/200B42-075	1	pcs.	0,65	303	45	203	300	
787167	RKL 300/250B42-075	1	pcs.	0,68	303	45	253	300	
787168	RKL 400/200B42-075	1	pcs.	0,78	403	45	203	300	
787169	RKL 400/250B42-075	1	pcs.	0,81	403	45	253	300	
787170	RKL 400/300B42-075	1	pcs.	0,83	403	45	303	300	
787171	RKL 500/400B42-075	1	pcs.	1,18	503	45	403	350	
787172	RKL 600/400B42-075	1	pcs.	1,32	603	45	403	350	
787173	RKL 600/500B42-075	1	pcs.	1,39	603	45	503	350	



RKL . . .B42-10

Cat. No.	Symbol		Jm	Weight [kg/pc]	Dim.			
					A [mm]	B [mm]	C [mm]	D [mm]
787247	RKL 80/50B42-10	1	pcs.	0.27	83	45	53	200
787248	RKL 100/50B42-10	1	pcs.	0.29	103	45	53	200
787249	RKL 100/80B42-10	1	pcs.	0.30	103	45	83	200
787250	RKL 120/50B42-10	1	pcs.	0.32	123	45	53	200
787251	RKL 120/80B42-10	1	pcs.	0.33	123	45	83	200
787252	RKL 120/100B42-10	1	pcs.	0.33	123	45	103	200
787253	RKL 150/50B42-10	1	pcs.	0.36	153	45	53	200
787254	RKL 150/80B42-10	1	pcs.	0.37	153	45	83	200
787255	RKL 150/100B42-10	1	pcs.	0.37	153	45	103	200
787256	RKL 150/120B42-10	1	pcs.	0.38	153	45	123	200
787257	RKL 200/50B42-10	1	pcs.	0.51	203	45	53	250
787258	RKL 200/80B42-10	1	pcs.	0.52	203	45	83	250
787259	RKL 200/100B42-10	1	pcs.	0.53	203	45	103	250
787260	RKL 200/120B42-10	1	pcs.	0.54	203	45	123	250
787261	RKL 200/150B42-10	1	pcs.	0.56	203	45	153	250
787262	RKL 250/120B42-10	1	pcs.	0.62	253	45	123	250
787263	RKL 250/150B42-10	1	pcs.	0.63	253	45	153	250
787264	RKL 250/200B42-10	1	pcs.	0.66	253	45	203	250
787265	RKL 300/150B42-10	1	pcs.	0.84	303	45	153	300
787266	RKL 300/200B42-10	1	pcs.	0.87	303	45	203	300
787267	RKL 300/250B42-10	1	pcs.	0.91	303	45	253	300
787268	RKL 400/200B42-10	1	pcs.	1.04	403	45	203	300
787269	RKL 400/250B42-10	1	pcs.	1.08	403	45	253	300
787270	RKL 400/300B42-10	1	pcs.	1.11	403	45	303	300
787271	RKL 500/400B42-10	1	pcs.	1.57	503	45	403	350
787272	RKL 600/400B42-10	1	pcs.	1.76	603	45	403	350
787273	RKL 600/500B42-10	1	pcs.	1.85	603	45	503	350

1,00

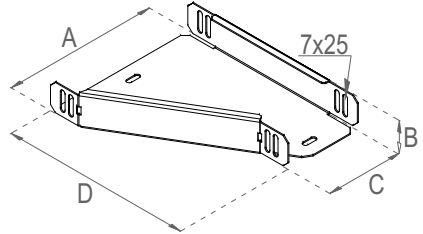
B42



Application:
Reducing width of cable routes.

Fitting elements:
Cover PRKL

Material:
Steel galvanized by Sendzimir method (EN 10327)
On request: hot deep galvanized steel (EN ISO 1461),
stainless steel (AISI 304 or AISI 316), aluminum,
powder coating on each of RAL colours.



RKL . . .B42-15

Cat. No.	Symbol		Jm	Weight [kg/pc]	Dim.			
					A [mm]	B [mm]	C [mm]	D [mm]
787359	RKL 120/100B42-15	1	pcs.	0.50	120	42	100	200
787360	RKL 150/100B42-15	1	pcs.	0.56	150	42	100	200
787361	RKL 150/120B42-15	1	pcs.	0.57	150	42	120	200
787362	RKL 200/100B42-15	1	pcs.	0.80	200	42	100	250
787363	RKL 200/120B42-15	1	pcs.	0.82	200	42	120	250
787364	RKL 200/150B42-15	1	pcs.	0.84	200	42	150	250
787365	RKL 250/120B42-15	1	pcs.	0.93	250	42	120	250
787366	RKL 250/150B42-15	1	pcs.	0.95	250	42	150	250
787367	RKL 250/200B42-15	1	pcs.	0.99	250	42	200	250
787368	RKL 300/150B42-15	1	pcs.	1.25	300	42	150	300
787369	RKL 300/200B42-15	1	pcs.	1.31	300	42	200	300
787370	RKL 300/250B42-15	1	pcs.	1.36	300	42	250	300
787371	RKL 400/200B42-15	1	pcs.	1.56	400	42	200	300
787372	RKL 400/250B42-15	1	pcs.	1.61	400	42	250	300
787373	RKL 400/300B42-15	1	pcs.	1.67	400	42	300	300
787374	RKL 500/400B42-15	1	pcs.	2.35	500	42	400	350
787375	RKL 600/400B42-15	1	pcs.	2.64	600	42	400	350
787376	RKL 600/500B42-15	1	pcs.	2.77	600	42	500	350

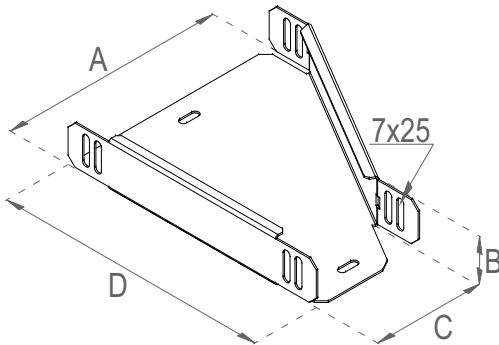
1,50

RKL . . .B42-20

Cat. No.	Symbol		Jm	Weight [kg/pc]	Dim.			
					A [mm]	B [mm]	C [mm]	D [mm]
787462	RKL 120/100B42-20	1	pcs.	0.67	120	42	100	200
787463	RKL 150/100B42-20	1	pcs.	0.75	150	42	100	200
787464	RKL 150/120B42-20	1	pcs.	0.76	150	42	120	200
787465	RKL 200/100B42-20	1	pcs.	1.07	200	42	100	250
787466	RKL 200/120B42-20	1	pcs.	1.09	200	42	120	250
787467	RKL 200/150B42-20	1	pcs.	1.12	200	42	150	250
787468	RKL 250/120B42-20	1	pcs.	1.24	250	42	120	250
787469	RKL 250/150B42-20	1	pcs.	1.27	250	42	150	250
787470	RKL 250/200B42-20	1	pcs.	1.32	250	42	200	250
787471	RKL 300/150B42-20	1	pcs.	1.67	300	42	150	300
787472	RKL 300/200B42-20	1	pcs.	1.74	300	42	200	300
787473	RKL 300/250B42-20	1	pcs.	1.81	300	42	250	300
787474	RKL 400/200B42-20	1	pcs.	2.08	400	42	200	300
787475	RKL 400/250B42-20	1	pcs.	2.15	400	42	250	300
787476	RKL 400/300B42-20	1	pcs.	2.22	400	42	300	300
787477	RKL 500/400B42-20	1	pcs.	3.14	500	42	400	350
787478	RKL 600/400B42-20	1	pcs.	3.51	600	42	400	350
787479	RKL 600/500B42-20	1	pcs.	3.70	600	42	500	350

2,00

HORIZONTAL REDUCTION - RIGHT




Application:
Reducing width of cable routes.

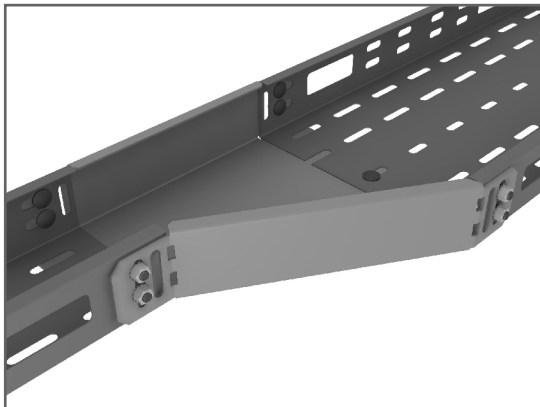
Fitting elements:
Cover PRKP

Material:
Steel galvanized by Sendzimir method (EN 10327)
On request: hot deep galvanized steel (EN ISO 1461),
stainless steel (AISI 304 or AISI 316), aluminum,
powder coating on each of RAL colours.

RKP...B42-075

0,75

Cat. No.	Symbol		Jm	Weight [kg/pc.]	Dim. A [mm]	Dim. B [mm]	Dim. C [mm]	Dim. D [mm]
787667	RKP 80/50B42-075	1	pcs.	0.20	83	45	53	200
787668	RKP 100/50B42-075	1	pcs.	0.22	103	45	58	200
787669	RKP 100/80B42-075	1	pcs.	0.23	103	45	83	200
787670	RKP 120/50B42-075	1	pcs.	0.24	123	45	53	200
787671	RKP 120/80B42-075	1	pcs.	0.25	123	45	83	200
787672	RKP 120/100B42-075	1	pcs.	0.25	123	45	103	200
787673	RKP 150/50B42-075	1	pcs.	0.27	153	45	53	200
787674	RKP 150/80B42-075	1	pcs.	0.28	153	45	83	200
787675	RKP 150/100B42-075	1	pcs.	0.28	153	45	103	200
787676	RKP 150/120B42-075	1	pcs.	0.28	153	45	123	200
787677	RKP 200/50B42-075	1	pcs.	0.38	203	45	58	250
787678	RKP 200/80B42-075	1	pcs.	0.39	203	45	83	250
787679	RKP 200/100B42-075	1	pcs.	0.40	203	45	103	250
787680	RKP 200/120B42-075	1	pcs.	0.41	203	45	123	250
787681	RKP 200/150B42-075	1	pcs.	0.42	203	45	153	250
787682	RKP 250/120B42-075	1	pcs.	0.46	253	45	123	250
787683	RKP 250/150B42-075	1	pcs.	0.48	253	45	153	250
787684	RKP 250/200B42-075	1	pcs.	0.50	253	45	203	250
787685	RKP 300/150B42-075	1	pcs.	0.63	303	45	153	300
787686	RKP 300/200B42-075	1	pcs.	0.65	303	45	203	300
787687	RKP 300/250B42-075	1	pcs.	0.68	303	45	253	300
787688	RKP 400/200B42-075	1	pcs.	0.78	403	45	203	300
787689	RKP 400/250B42-075	1	pcs.	0.81	403	45	253	300
787690	RKP 400/300B42-075	1	pcs.	0.83	403	45	303	300
787691	RKP 500/400B42-075	1	pcs.	1.18	503	45	403	350
787692	RKP 600/400B42-075	1	pcs.	1.32	603	45	403	350
787693	RKP 600/500B42-075	1	pcs.	1.39	603	45	503	350



HORIZONTAL REDUCTION - RIGHT

RKP...B42-10

Cat. No.	Symbol		Jm	Weight [kg/pc.]	Dim.	Dim.	Dim.	Dim.
					A [mm]	B [mm]	C [mm]	D [mm]
787767	RKP 80/50B42-10	1	pcs.	0.27	83	45	53	200
787768	RKP 100/50B42-10	1	pcs.	0.29	103	45	53	200
787769	RKP 100/80B42-10	1	pcs.	0.30	103	45	83	200
787770	RKP 120/50B42-10	1	pcs.	0.32	123	45	53	200
787771	RKP 120/80B42-10	1	pcs.	0.33	123	45	83	200
787772	RKP 120/100B42-10	1	pcs.	0.33	123	45	103	200
787773	RKP 150/50B42-10	1	pcs.	0.36	153	45	53	200
787774	RKP 150/80B42-10	1	pcs.	0.37	153	45	83	200
787775	RKP 150/100B42-10	1	pcs.	0.37	153	45	103	200
787776	RKP 150/120B42-10	1	pcs.	0.38	153	45	123	200
787777	RKP 200/50B42-10	1	pcs.	0.51	203	45	53	250
787778	RKP 200/80B42-10	1	pcs.	0.52	203	45	83	250
787779	RKP 200/100B42-10	1	pcs.	0.53	203	45	103	250
787780	RKP 200/120B42-10	1	pcs.	0.54	203	45	123	250
787781	RKP 200/150B42-10	1	pcs.	0.56	203	45	153	250
787782	RKP 250/120B42-10	1	pcs.	0.62	253	45	123	250
787783	RKP 250/150B42-10	1	pcs.	0.63	253	45	153	250
787784	RKP 250/200B42-10	1	pcs.	0.66	253	45	203	250
787785	RKP 300/150B42-10	1	pcs.	0.84	303	45	153	300
787786	RKP 300/200B42-10	1	pcs.	0.87	303	45	203	300
787787	RKP 300/250B42-10	1	pcs.	0.91	303	45	253	300
787788	RKP 400/200B42-10	1	pcs.	1.04	403	45	203	300
787789	RKP 400/250B42-10	1	pcs.	1.08	403	45	253	300
787790	RKP 400/300B42-10	1	pcs.	1.11	403	45	303	300
787791	RKP 500/400B42-10	1	pcs.	1.57	503	45	403	350
787792	RKP 600/400B42-10	1	pcs.	1.76	603	45	403	350
787793	RKP 600/500B42-10	1	pcs.	1.85	603	45	503	350

1,00

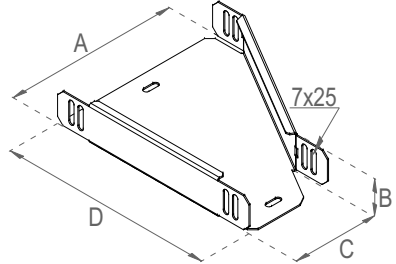
B42



Application:
Reducing width of cable routes.

Fitting elements:
Cover PRKP

Material:
Steel galvanized by Sendzimir method (EN 10327)
On request: hot deep galvanized steel (EN ISO 1461),
stainless steel (AISI 304 or AISI 316), aluminum,
powder coating on each of RAL colours.



RKP...B42-15

Cat. No.	Symbol		Jm	Weight [kg/pc.]	Dim.	Dim.	Dim.	Dim.
					A [mm]	B [mm]	C [mm]	D [mm]
787879	RKP 120/100B42-15	1	pcs.	0.50	120	42	100	200
787880	RKP 150/100B42-15	1	pcs.	0.56	150	42	100	200
787881	RKP 150/120B42-15	1	pcs.	0.57	150	42	120	200
787882	RKP 200/100B42-15	1	pcs.	0.80	200	42	100	250
787883	RKP 200/120B42-15	1	pcs.	0.82	200	42	120	250
787884	RKP 200/150B42-15	1	pcs.	0.84	200	42	150	250
787885	RKP 250/120B42-15	1	pcs.	0.93	250	42	120	250
787886	RKP 250/150B42-15	1	pcs.	0.95	250	42	150	250
787887	RKP 250/200B42-15	1	pcs.	0.99	250	42	200	250
787888	RKP 300/150B42-15	1	pcs.	1.25	300	42	150	300
787889	RKP 300/200B42-15	1	pcs.	1.31	300	45	200	300
787890	RKP 300/250B42-15	1	pcs.	1.36	300	42	250	300
787891	RKP 400/200B42-15	1	pcs.	1.56	400	42	200	300
787892	RKP 400/250B42-15	1	pcs.	1.61	400	42	250	300
787893	RKP 400/300B42-15	1	pcs.	1.67	400	42	300	300
787894	RKP 500/400B42-15	1	pcs.	2.35	500	42	400	350
787895	RKP 600/400B42-15	1	pcs.	2.64	600	42	400	350
787896	RKP 600/500B42-15	1	pcs.	2.77	600	42	500	350

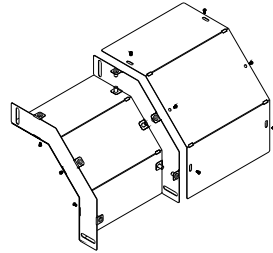
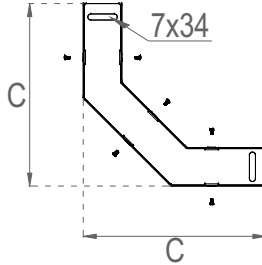
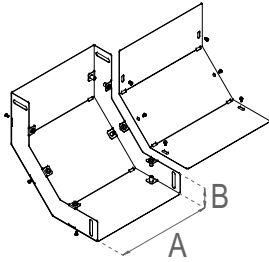
1,50

RKP...B42-20

Cat. No.	Symbol		Jm	Weight [kg/pc.]	Dim.	Dim.	Dim.	Dim.
					A [mm]	B [mm]	C [mm]	D [mm]
787982	RKP 120/100B42-20	1	pcs.	0.67	120	42	100	200
787983	RKP 150/100B42-20	1	pcs.	0.75	150	42	100	200
787984	RKP 150/120B42-20	1	pcs.	0.76	150	42	120	200
787985	RKP 200/100B42-20	1	pcs.	1.07	200	42	100	250
787986	RKP 200/120B42-20	1	pcs.	1.09	200	42	120	250
787987	RKP 200/150B42-20	1	pcs.	1.12	200	42	150	250
787988	RKP 250/120B42-20	1	pcs.	1.24	250	42	120	250
787989	RKP 250/150B42-20	1	pcs.	1.27	250	42	150	250
787990	RKP 250/200B42-20	1	pcs.	1.32	250	42	200	250
787991	RKP 300/150B42-20	1	pcs.	1.67	300	42	150	300
787992	RKP 300/200B42-20	1	pcs.	1.74	300	42	200	300
787993	RKP 300/250B42-20	1	pcs.	1.81	300	42	250	300
787994	RKP 400/200B42-20	1	pcs.	2.08	400	42	200	300
787995	RKP 400/250B42-20	1	pcs.	2.15	400	42	250	300
787996	RKP 400/300B42-20	1	pcs.	2.22	400	42	300	300
787997	RKP 500/400B42-20	1	pcs.	3.14	500	42	400	350
787998	RKP 600/400B42-20	1	pcs.	3.51	600	42	400	350
787999	RKP 600/500B42-20	1	pcs.	3.70	600	42	500	350

2,00

VERTICAL BEND



LZWK ...B42-075

0,75

Cat. No.	Symbol	Jm	Weight [kg/pcs.]	Dim. A [mm]	Dim. B [mm]	Dim. C [mm]
785245	LZWK 50B42-075	1 pcs.	0,47	53	45	203
785246	LZWK 80B42-075	1 pcs.	0,60	83	45	203
785247	LZWK 100B42-075	1 pcs.	0,68	103	45	203
785248	LZWK 120B42-075	1 pcs.	0,77	123	45	203
785249	LZWK 150B42-075	1 pcs.	0,90	153	45	203
785250	LZWK 200B42-075	1 pcs.	1,12	203	45	203
785251	LZWK 250B42-075	1 pcs.	1,33	253	45	203
785252	LZWK 300B42-075	1 pcs.	1,55	303	45	203
785253	LZWK 400B42-075	1 pcs.	1,98	403	45	203
785254	LZWK 500B42-075	1 pcs.	2,42	503	45	203
785255	LZWK 600B42-075	1 pcs.	2,85	603	45	203

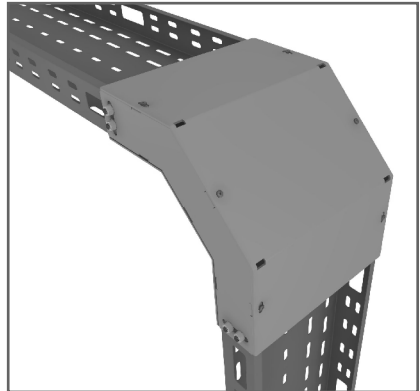
Application:
Vertical change of direction of cable routes.

Material:
Steel galvanized by Sendzimir method (EN 10327)
On request: hot deep galvanized steel (EN ISO 1461), stainless steel (AISI 304 or AISI 316), aluminum, powder coating on each of RAL colours.

LZWK ...B42-10

1,00

Cat. No.	Symbol	Jm	Weight [kg/pcs.]	Dim. A [mm]	Dim. B [mm]	Dim. C [mm]
785295	LZWK 50B42-10	1 pcs.	0,62	53	45	203
785296	LZWK 80B42-10	1 pcs.	0,80	83	45	203
785297	LZWK 100B42-10	1 pcs.	0,91	103	45	203
785298	LZWK 120B42-10	1 pcs.	1,03	123	45	203
785299	LZWK 150B42-10	1 pcs.	1,20	153	45	203
785300	LZWK 200B42-10	1 pcs.	1,49	203	45	203
785301	LZWK 250B42-10	1 pcs.	1,78	253	45	203
785302	LZWK 300B42-10	1 pcs.	2,07	303	45	203
785303	LZWK 400B42-10	1 pcs.	2,65	403	45	203
785304	LZWK 500B42-10	1 pcs.	3,22	503	45	203
785305	LZWK 600B42-10	1 pcs.	3,80	603	45	203



LZWK ...B42-15

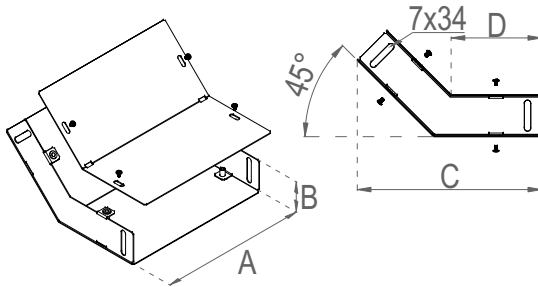
1,50

Cat. No.	Symbol	Jm	Weight [kg/pcs.]	Dim. A [mm]	Dim. B [mm]	Dim. C [mm]
785347	LZWK 100B42-15	1 pcs.	1,37	100	42	203
785348	LZWK 120B42-15	1 pcs.	1,54	120	42	203
785349	LZWK 150B42-15	1 pcs.	1,80	150	42	203
785350	LZWK 200B42-15	1 pcs.	2,24	200	42	203
785351	LZWK 250B42-15	1 pcs.	2,67	250	42	203
785352	LZWK 300B42-15	1 pcs.	3,10	300	42	203
785353	LZWK 400B42-15	1 pcs.	3,97	400	42	203
785354	LZWK 500B42-15	1 pcs.	4,83	503	42	203
785355	LZWK 600B42-15	1 pcs.	5,70	600	42	203

LZWK ...B42-20

2,00

Cat. No.	Symbol	Jm	Weight [kg/pcs.]	Dim. A [mm]	Dim. B [mm]	Dim. C [mm]
787099	LZWK 100B42-20	1 pcs.	1,83	104	42	203
787100	LZWK 120B42-20	1 pcs.	2,06	124	42	203
787101	LZWK 150B42-20	1 pcs.	2,40	154	42	203
787102	LZWK 200B42-20	1 pcs.	2,98	204	42	203
787103	LZWK 250B42-20	1 pcs.	3,56	254	42	203
787104	LZWK 300B42-20	1 pcs.	4,14	304	42	203
787105	LZWK 400B42-20	1 pcs.	5,29	404	42	203
787106	LZWK 500B42-20	1 pcs.	6,45	504	42	203
787107	LZWK 600B42-20	1 pcs.	7,60	604	42	203



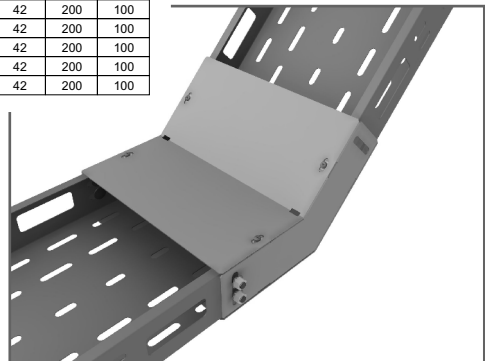
Application:
Vertical change of direction of cable routes.

Material:
Steel galvanized by Sendzimir method (EN 10327)
On request: hot deep galvanized steel (EN ISO 1461),
stainless steel (AISI 304 or AISI 316), aluminum,
powder coating on each of RAL colours.

1,00	Cat. No.	Symbol		Jm	Weight (kg/pc.)	Dim. A [mm]	Dim. B [mm]	Dim. C [mm]	Dim. D [mm]
	788409	LZWK45 50B42-10	1	pcs.	0.38	53	45	200	100
788410	LZWK45 80B42-10	1	pcs.	0.47	83	45	200	100	
788411	LZWK45 100B42-10	1	pcs.	0.54	103	45	200	100	
788412	LZWK45 120B42-10	1	pcs.	0.60	123	45	200	100	
788413	LZWK45 150B42-10	1	pcs.	0.70	153	45	200	100	
788414	LZWK45 200B42-10	1	pcs.	0.86	203	45	200	100	
788415	LZWK45 250B42-10	1	pcs.	1.02	253	45	200	100	
788416	LZWK45 300B42-10	1	pcs.	1.18	303	45	200	100	
788417	LZWK45 400B42-10	1	pcs.	1.50	403	45	200	100	
788418	LZWK45 500B42-10	1	pcs.	1.82	503	45	200	100	
788419	LZWK45 600B42-10	1	pcs.	2.14	603	45	200	100	

LZWK45 . . . B42-15									
1,50	Cat. No.	Symbol		Jm	Weight (kg/pc.)	Dim. A [mm]	Dim. B [mm]	Dim. C [mm]	Dim. D [mm]
	788459	LZWK45 100B42-15	1	pcs.	0.81	100	42	200	100
788460	LZWK45 120B42-15	1	pcs.	0.90	120	42	200	100	
788461	LZWK45 150B42-15	1	pcs.	1.05	150	42	200	100	
788462	LZWK45 200B42-15	1	pcs.	1.29	200	42	200	100	
788463	LZWK45 250B42-15	1	pcs.	1.53	250	42	200	100	
788464	LZWK45 300B42-15	1	pcs.	1.77	300	42	200	100	
788465	LZWK45 400B42-15	1	pcs.	2.25	400	42	200	100	
788466	LZWK45 500B42-15	1	pcs.	2.73	500	42	200	100	
788467	LZWK45 600B42-15	1	pcs.	3.21	600	42	200	100	

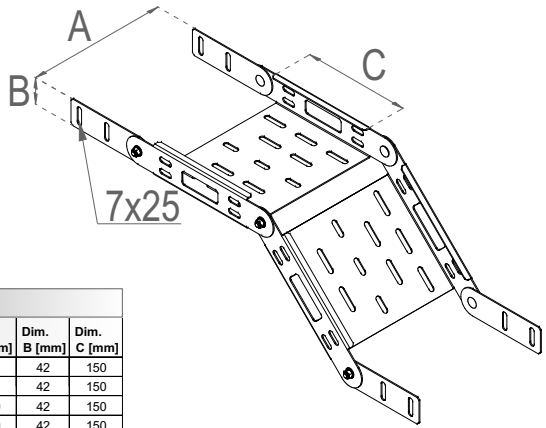
LZWK45 . . . B42-20									
2,00	Cat. No.	Symbol		Jm	Weight (kg/pc.)	Dim. A [mm]	Dim. B [mm]	Dim. C [mm]	Dim. D [mm]
	788507	LZWK45 100B42-20	1	pcs.	1.08	100	42	200	100
788508	LZWK45 120B42-20	1	pcs.	1.20	120	42	200	100	
788509	LZWK45 150B42-20	1	pcs.	1.40	150	42	200	100	
788510	LZWK45 200B42-20	1	pcs.	1.72	200	42	200	100	
788511	LZWK45 250B42-20	1	pcs.	2.04	250	42	200	100	
788512	LZWK45 300B42-20	1	pcs.	2.36	300	42	200	100	
788513	LZWK45 400B42-20	1	pcs.	3.00	400	42	200	100	
788514	LZWK45 500B42-20	1	pcs.	3.64	500	42	200	100	
788515	LZWK45 600B42-20	1	pcs.	4.28	600	42	200	100	



ADJUSTABLE VERTICAL BEND

Application:
Vertical change of direction of cable routes.

Material:
Steel galvanized by Sendzimir method (EN 10327)
On request: hot deep galvanized steel (EN ISO 1461),
stainless steel (AISI 304 or AISI 316), aluminum,
powder coating on each of RAL colours.



LUP...B42-075

Cat. No.	Symbol	Jm	Weight [kg/pc.]	Dim.		
				A [mm]	B [mm]	C [mm]
788806	LUP 50B42-075	1 pcs.	0,52	50	42	150
788807	LUP 80B42-075	1 pcs.	0,57	80	42	150
788808	LUP 100B42-075	1 pcs.	0,60	100	42	150
788809	LUP 120B42-075	1 pcs.	0,64	120	42	150
788810	LUP 150B42-075	1 pcs.	0,68	150	42	150
788811	LUP 200B42-075	1 pcs.	0,76	200	42	150
788812	LUP 250B42-075	1 pcs.	0,85	250	42	150
788813	LUP 300B42-075	1 pcs.	0,93	300	42	150

LUP...B42-10

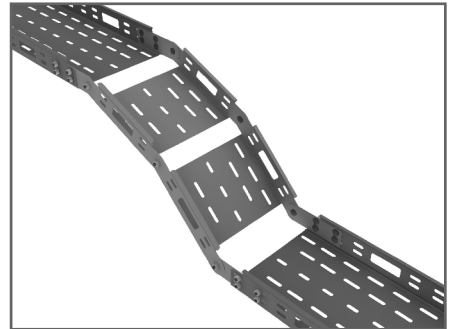
Cat. No.	Symbol	Jm	Weight [kg/pc.]	Dim.		
				A [mm]	B [mm]	C [mm]
788841	LUP 50B42-10	1 pcs.	0,71	55	42	150
788842	LUP 80B42-10	1 pcs.	0,76	80	42	150
788843	LUP 100B42-10	1 pcs.	0,80	100	42	150
788844	LUP 120B42-10	1 pcs.	0,85	120	42	150
788845	LUP 150B42-10	1 pcs.	0,91	150	42	150
788846	LUP 200B42-10	1 pcs.	1,02	200	42	150
788847	LUP 250B42-10	1 pcs.	1,13	250	42	150
788848	LUP 300B42-10	1 pcs.	1,24	300	42	150
788849	LUP 400B42-10	1 pcs.	1,45	400	42	150
788850	LUP 500B42-10	1 pcs.	1,67	500	42	150
788851	LUP 600B42-10	1 pcs.	1,88	600	42	150

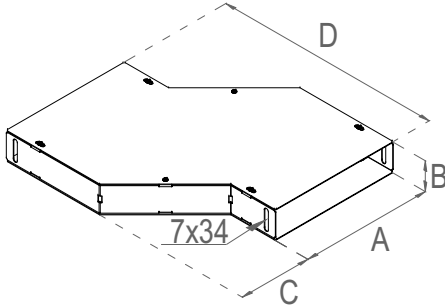
LUP...B42-15

Cat. No.	Symbol	Jm	Weight [kg/pc.]	Dim.		
				A [mm]	B [mm]	C [mm]
788891	LUP 100B42-15	1 pcs.	1,21	100	42	150
788892	LUP 120B42-15	1 pcs.	1,27	120	42	150
788893	LUP 150B42-15	1 pcs.	1,37	150	42	150
788894	LUP 200B42-15	1 pcs.	1,53	200	42	150
788895	LUP 250B42-15	1 pcs.	1,69	250	42	150
788896	LUP 300B42-15	1 pcs.	1,85	300	42	150
788897	LUP 400B42-15	1 pcs.	2,18	400	42	150
788898	LUP 500B42-15	1 pcs.	2,50	500	42	150
788899	LUP 600B42-15	1 pcs.	2,83	600	42	150

LUP...B50-20

Cat. No.	Symbol	Jm	Weight [kg/pc.]	Dim.		
				A [mm]	B [mm]	C [mm]
788939	LUP 100B42-20	1 pcs.	1,61	100	42	150
788940	LUP 120B42-20	1 pcs.	1,69	120	42	150
788941	LUP 150B42-20	1 pcs.	1,82	150	42	150
788942	LUP 200B42-20	1 pcs.	2,04	200	42	150
788943	LUP 250B42-20	1 pcs.	2,26	250	42	150
788944	LUP 300B42-20	1 pcs.	2,47	300	42	150
788945	LUP 400B42-20	1 pcs.	2,90	400	42	150
788946	LUP 500B42-20	1 pcs.	3,34	500	42	150
788947	LUP 600B42-20	1 pcs.	3,77	600	42	150





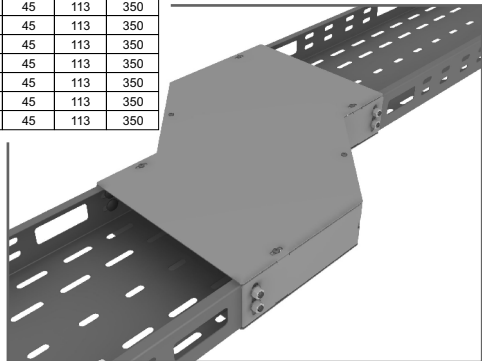
Application:
Horizontal change of direction of cable routes.

Material:
Steel galvanized by Sendzimir method (EN 10327)
On request: hot deep galvanized steel (EN ISO 1461),
stainless steel (AISI 304 or AISI 316), aluminum,
powder coating on each of RAL colours.

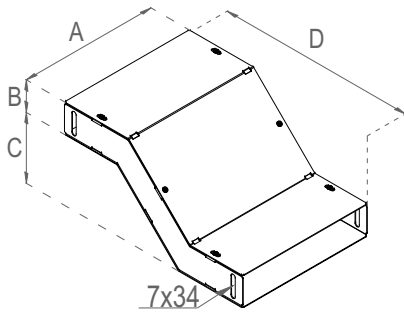
OBH ...B42-10									
1,00	Cat. No.	Symbol		Jm	Weight [kg/pc.]	Dim. A [mm]	Dim. B [mm]	Dim. C [mm]	Dim. D [mm]
	788660	OBH 50B42-10	1	pcs.	0,56	53	45	113	350
	788661	OBH 80B42-10	1	pcs.	0,74	83	45	113	350
	788662	OBH 100B42-10	1	pcs.	0,86	103	45	113	350
	788663	OBH 120B42-10	1	pcs.	0,98	123	45	113	350
	788664	OBH 150B42-10	1	pcs.	1,17	153	45	113	350
	788665	OBH 200B42-10	1	pcs.	1,47	203	45	113	350
	788666	OBH 250B42-10	1	pcs.	1,78	253	45	113	350
	788667	OBH 300B42-10	1	pcs.	2,08	303	45	113	350
	788668	OBH 400B42-10	1	pcs.	2,69	403	45	113	350
788669	OBH 500B42-10	1	pcs.	3,30	503	45	113	350	
788670	OBH 600B42-10	1	pcs.	3,90	603	45	113	350	

OBH ...B42-15									
1,50	Cat. No.	Symbol		Jm	Weight [kg/pc.]	Dim. A [mm]	Dim. B [mm]	Dim. C [mm]	Dim. D [mm]
	788710	OBH 100B42-15	1	pcs.	1,30	103	45	113	350
	788711	OBH 120B42-15	1	pcs.	1,48	123	45	113	350
	788712	OBH 150B42-15	1	pcs.	1,75	153	45	113	350
	788713	OBH 200B42-15	1	pcs.	2,21	203	45	113	350
	788714	OBH 250B42-15	1	pcs.	2,66	253	45	113	350
	788715	OBH 300B42-15	1	pcs.	3,12	303	45	113	350
	788716	OBH 400B42-15	1	pcs.	4,03	403	45	113	350
	788717	OBH 500B42-15	1	pcs.	4,94	503	45	113	350
	788718	OBH 600B42-15	1	pcs.	5,86	603	45	113	350

OBH ...B42-20									
2,00	Cat. No.	Symbol		Jm	Weight [kg/pc.]	Dim. A [mm]	Dim. B [mm]	Dim. C [mm]	Dim. D [mm]
	788758	OBH 100B42-20	1	pcs.	1,73	103	45	113	350
	788759	OBH 120B42-20	1	pcs.	1,97	123	45	113	350
	788760	OBH 150B42-20	1	pcs.	2,33	153	45	113	350
	788761	OBH 200B42-20	1	pcs.	2,94	203	45	113	350
	788762	OBH 250B42-20	1	pcs.	3,55	253	45	113	350
	788763	OBH 300B42-20	1	pcs.	4,16	303	45	113	350
	788764	OBH 400B42-20	1	pcs.	5,37	403	45	113	350
	788765	OBH 500B42-20	1	pcs.	6,59	503	45	113	350
	788766	OBH 600B42-20	1	pcs.	7,81	603	45	113	350



VERTICAL BY-PASS



Application:
Vertical change of direction of cable routes.

Material:
Steel galvanized by Sendzimir method (EN 10327)
On request: hot deep galvanized steel (EN ISO 1461),
stainless steel (AISI 304 or AISI 316), aluminum,
powder coating on each of RAL colours.

OBV...B42-10

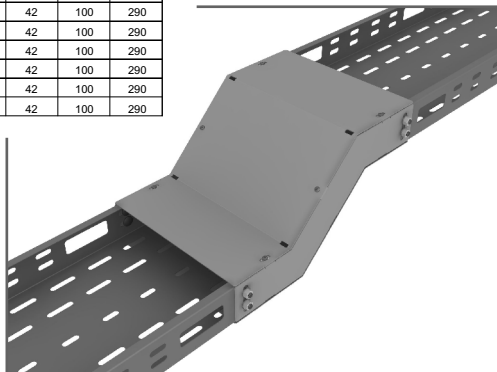
Cat. No.	Symbol	Jm	Weight [kg/pc.]	Dim. A [mm]	Dim. B [mm]	Dim. C [mm]	Dim. D [mm]
789321	OBV 50B42-10	1	0,38	53	45	100	300
789322	OBV 80B42-10	1	0,46	83	45	100	300
789323	OBV 100B42-10	1	0,52	103	45	100	300
789324	OBV 120B42-10	1	0,57	123	45	100	300
789325	OBV 150B42-10	1	0,66	153	45	100	300
789326	OBV 200B42-10	1	0,80	203	45	100	300
789327	OBV 250B42-10	1	0,94	253	45	100	300
789328	OBV 300B42-10	1	1,08	303	45	100	300
789329	OBV 400B42-10	1	1,36	403	45	100	300
789330	OBV 500B42-10	1	1,64	503	45	100	300
789331	OBV 600B42-10	1	1,92	603	45	100	300

OBV...B42-15

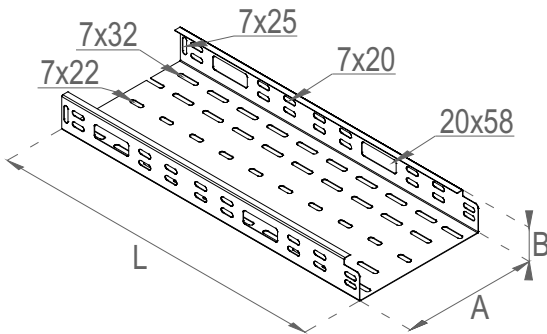
Cat. No.	Symbol	Jm	Weight [kg/pc.]	Dim. A [mm]	Dim. B [mm]	Dim. C [mm]	Dim. D [mm]
789371	OBV 100B42-15	1	0,77	100	42	100	290
789372	OBV 120B42-15	1	0,86	120	42	100	290
789373	OBV 150B42-15	1	0,98	150	42	100	290
789374	OBV 200B42-15	1	1,19	200	42	100	290
789375	OBV 250B42-15	1	1,40	250	42	100	290
789376	OBV 300B42-15	1	1,61	300	42	100	290
789377	OBV 400B42-15	1	2,03	400	42	100	290
789378	OBV 500B42-15	1	2,45	500	42	100	290
789379	OBV 600B42-15	1	2,87	600	42	100	290

OBV...B42-20

Cat. No.	Symbol	Jm	Weight [kg/pc.]	Dim. A [mm]	Dim. B [mm]	Dim. C [mm]	Dim. D [mm]
789419	OBV 100B42-20	1	1,03	100	42	100	290
789420	OBV 120B42-20	1	1,14	120	42	100	290
789421	OBV 150B42-20	1	1,31	150	42	100	290
789422	OBV 200B42-20	1	1,59	200	42	100	290
789423	OBV 250B42-20	1	1,87	250	42	100	290
789424	OBV 300B42-20	1	2,15	300	42	100	290
789425	OBV 400B42-20	1	2,71	400	42	100	290
789426	OBV 500B42-20	1	3,27	500	42	100	290
789427	OBV 600B42-20	1	3,83	600	42	100	290



PERFORATED TRAY



Application:
Cable routing
Connectorfree assembly
For assembly use 4 sets of SGNKK M6x10.

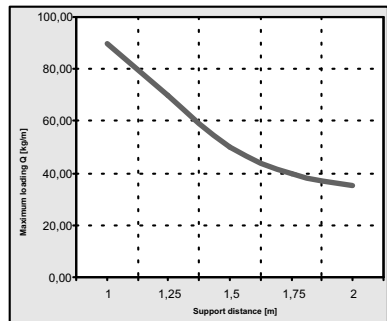
Fitting elements:
Covers PK i PKZM, connectors LKBZ, LKK, LPK, LUK, partition PDK.

Material:
Steel galvanized by Sendzimir method (EN 10327)
On request: hot deep galvanized steel (EN ISO 1461), stainless steel (AISI 304 or AISI 316), aluminum, powder coating on each of RAL colours.

KP...B50-055

Cat. No.	Symbol	Image	Jm	Weight [kg/m]	Dim. A [mm]		Dim. B [mm]		Dim. L [mm]
					A [mm]	B [mm]	B [mm]	L [mm]	
786523	KP 50B50-055		20	mb 0,66	50	50	50	2000	
786524	KP 80B50-055		20	mb 0,77	80	50	50	2000	
786525	KP 100B50-055		20	mb 0,85	100	50	50	2000	
786526	KP 120B50-055		20	mb 0,93	120	50	50	2000	
786527	KP 150B50-055		20	mb 1,05	150	50	50	2000	
786528	KP 200B50-055		20	mb 1,25	200	50	50	2000	
786529	KP 250B50-055		20	mb 1,46	250	50	50	2000	
786530	KP 300B50-055		20	mb 1,83	300	50	50	2000	

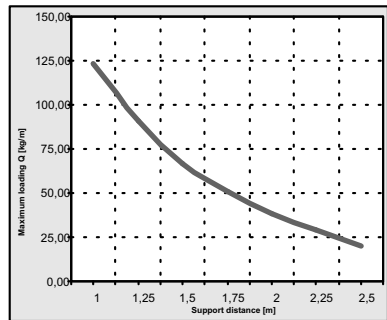
0,55



KP...B50-075

Cat. No.	Symbol	Image	Jm	Weight [kg/m]	Dim. A [mm]		Dim. B [mm]		Dim. L [mm]
					A [mm]	B [mm]	B [mm]	L [mm]	
783798	KP 50B50-075		60	mb 0,89	50	50	50	3000	
783799	KP 80B50-075		30	mb 1,05	80	50	50	3000	
783800	KP 100B50-075		30	mb 1,16	100	50	50	3000	
783801	KP 120B50-075		30	mb 1,26	120	50	50	3000	
783802	KP 150B50-075		30	mb 1,43	150	50	50	3000	
783803	KP 200B50-075		24	mb 1,70	200	50	50	3000	
783804	KP 250B50-075		24	mb 1,99	250	50	50	3000	
783805	KP 300B50-075		18	mb 2,29	300	50	50	3000	
783806	KP 400B50-075		12	mb 2,90	400	50	50	3000	
783807	KP 500B50-075		12	mb 3,50	500	50	50	3000	
783808	KP 600B50-075		12	mb 4,16	600	50	50	3000	

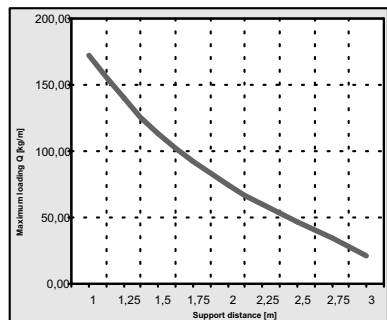
0,75



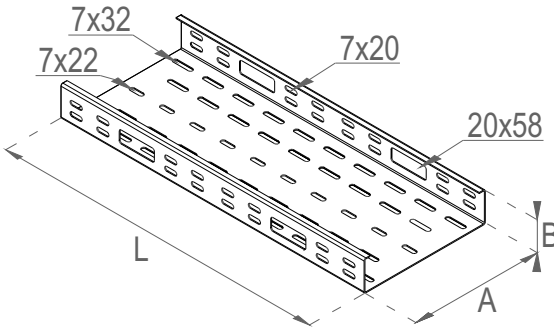
KP...B50-10

Cat. No.	Symbol	Image	Jm	Weight [kg/m]	Dim. A [mm]		Dim. B [mm]		Dim. L [mm]
					A [mm]	B [mm]	B [mm]	L [mm]	
783847	KP 50B50-10		60	mb 1,17	50	50	50	3000	
783848	KP 80B50-10		30	mb 1,38	80	50	50	3000	
783849	KP 100B50-10		30	mb 1,53	100	50	50	3000	
783850	KP 120B50-10		30	mb 1,67	120	50	50	3000	
783851	KP 150B50-10		30	mb 1,89	150	50	50	3000	
783852	KP 200B50-10		24	mb 2,25	200	50	50	3000	
783853	KP 250B50-10		24	mb 2,64	250	50	50	3000	
783854	KP 300B50-10		18	mb 3,03	300	50	50	3000	
783855	KP 400B50-10		12	mb 3,85	400	50	50	3000	
783856	KP 500B50-10		12	mb 4,65	500	50	50	3000	
783857	KP 600B50-10		12	mb 5,53	600	50	50	3000	

1,00



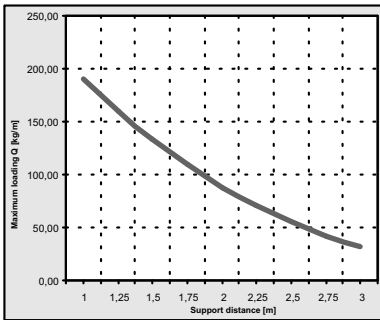
B50



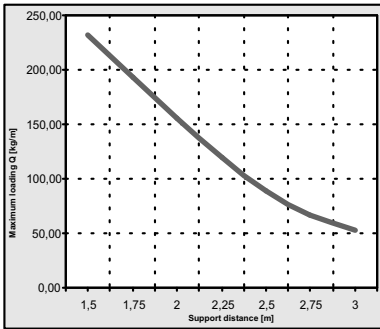
Application:
Cable routing

Fitting elements:
Covers PK i PKZM, connectors LKBZ, LKK, LPK, LUK, partition PDK.

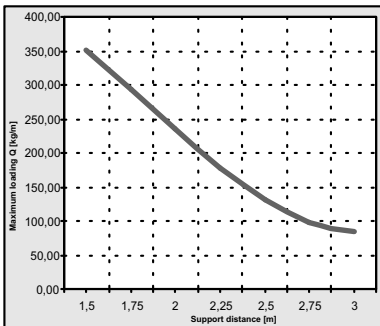
Material:
Steel galvanized by Sendzimir method (EN 10327)
On request: hot deep galvanized steel (EN ISO 1461), stainless steel (AISI 304 or AISI 316), aluminum, powder coating on each of RAL colours.



KP...B50-12							
Cat. No.	Symbol	Jm	Weight [kg/m]	Dim. A [mm]	Dim. B [mm]	Dim. L [mm]	
789695	KP 50B50-12	3 mb	1,39	50	50	3000	1,20
789696	KP 80B50-12	3 mb	1,65	80	50	3000	
789697	KP 100B50-12	3 mb	1,82	100	50	3000	
789698	KP 120B50-12	3 mb	1,99	120	50	3000	
789699	KP 150B50-12	3 mb	2,25	150	50	3000	
789700	KP 200B50-12	3 mb	2,68	200	50	3000	
789701	KP 250B50-12	3 mb	3,15	250	50	3000	
789702	KP 300B50-12	3 mb	3,62	300	50	3000	
789703	KP 400B50-12	3 mb	4,61	400	50	3000	
789704	KP 500B50-12	3 mb	5,57	500	50	3000	
789705	KP 600B50-12	3 mb	6,62	600	50	3000	

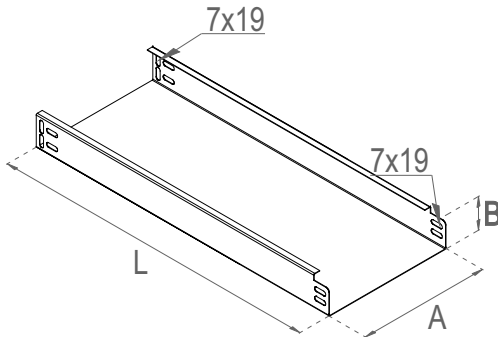


KP...B50-15							
Cat. No.	Symbol	Jm	Weight [kg/m]	Dim. A [mm]	Dim. B [mm]	Dim. L [mm]	
783893	KP 50B50-15	3 mb	1,71	50	50	3000	1,50
783894	KP 80B50-15	3 mb	2,03	80	50	3000	
783895	KP 100B50-15	3 mb	2,25	100	50	3000	
783896	KP 120B50-15	3 mb	2,46	120	50	3000	
783897	KP 150B50-15	3 mb	2,79	150	50	3000	
783898	KP 200B50-15	3 mb	3,33	200	50	3000	
783899	KP 250B50-15	3 mb	3,91	250	50	3000	
783900	KP 300B50-15	3 mb	4,50	300	50	3000	
783901	KP 400B50-15	3 mb	5,73	400	50	3000	
783902	KP 500B50-15	3 mb	6,93	500	50	3000	
783903	KP 600B50-15	3 mb	8,24	600	50	3000	



KP...B50-20							
Cat. No.	Symbol	Jm	Weight [kg/m]	Dim. A [mm]	Dim. B [mm]	Dim. L [mm]	
786688	KP 50B50-20	3 mb	2,22	50	50	3000	2,00
786689	KP 80B50-20	3 mb	2,65	80	50	3000	
786690	KP 100B50-20	3 mb	2,94	100	50	3000	
786691	KP 120B50-20	3 mb	3,23	120	50	3000	
786692	KP 150B50-20	3 mb	3,66	150	50	3000	
786693	KP 200B50-20	3 mb	4,38	200	50	3000	
786694	KP 250B50-20	3 mb	5,15	250	50	3000	
786695	KP 300B50-20	3 mb	5,95	300	50	3000	
786696	KP 400B50-20	3 mb	7,58	400	50	3000	
786697	KP 500B50-20	3 mb	9,18	500	50	3000	
786698	KP 600B50-20	3 mb	10,93	600	50	3000	

TRAY WITHOUT PERFORATION




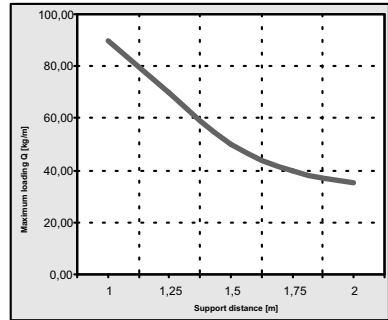
Application:
Cable routing
Connectorfree assembly
For assembly use 4 sets of SGNKK M6x10.

Fitting elements:
Covers PK I PKZM, connectors LKBZ, LKK, LPK, LUK, partition PDK.


Material:
Steel galvanized by Sendzimir method (EN 10327)
On request: hot deep galvanized steel (EN ISO 1461), stainless steel (AISI 304 or AISI 316), aluminum, powder coating on each of RAL colours.

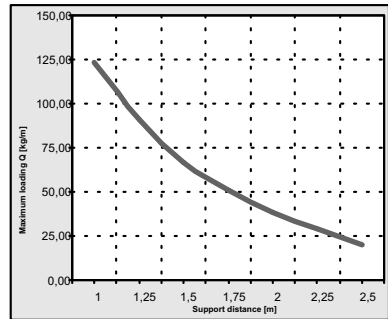
KB...B50-055

Cat. No.	Symbol		Jm	Weight [kg/m]	Dim. A [mm]	Dim. B [mm]	Dim. L [mm]
786538	KB 50B50-055	20	mb	0,73	50	50	2000
786539	KB 80B50-055	20	mb	0,86	80	50	2000
786540	KB 100B50-055	20	mb	0,95	100	50	2000
786541	KB 120B50-055	20	mb	1,04	120	50	2000
786542	KB 150B50-055	20	mb	1,17	150	50	2000
786543	KB 200B50-055	20	mb	1,39	200	50	2000
786544	KB 250B50-055	20	mb	1,61	250	50	2000
786545	KB 300B50-055	20	mb	1,83	300	50	2000




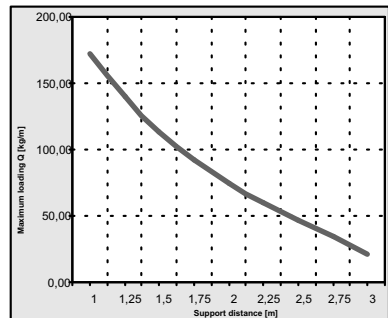
KB...B50-075

Cat. No.	Symbol		Jm	Weight [kg/m]	Dim. A [mm]	Dim. B [mm]	Dim. L [mm]
783966	KB 50B50-075	60	mb	0,98	50	50	3000
783967	KB 80B50-075	30	mb	1,16	80	50	3000
783968	KB 100B50-075	30	mb	1,28	100	50	3000
783969	KB 120B50-075	30	mb	1,40	120	50	3000
783970	KB 150B50-075	30	mb	1,58	150	50	3000
783971	KB 200B50-075	24	mb	1,88	200	50	3000
783972	KB 250B50-075	24	mb	2,18	250	50	3000
783973	KB 300B50-075	18	mb	2,48	300	50	3000
783974	KB 400B50-075	12	mb	3,08	400	50	3000
783975	KB 500B50-075	12	mb	3,68	500	50	3000
783976	KB 600B50-075	12	mb	4,28	600	50	3000



KB...B50-10

Cat. No.	Symbol		Jm	Weight [kg/m]	Dim. A [mm]	Dim. B [mm]	Dim. L [mm]
784015	KB 50B50-10	60	mb	1,30	50	50	3000
784016	KB 80B50-10	30	mb	1,54	80	50	3000
784017	KB 100B50-10	30	mb	1,70	100	50	3000
784018	KB 120B50-10	30	mb	1,86	120	50	3000
784019	KB 150B50-10	30	mb	2,10	150	50	3000
784020	KB 200B50-10	24	mb	2,50	200	50	3000
784021	KB 250B50-10	24	mb	2,90	250	50	3000
784022	KB 300B50-10	18	mb	3,30	300	50	3000
784023	KB 400B50-10	12	mb	4,10	400	50	3000
784024	KB 500B50-10	12	mb	4,90	500	50	3000
784025	KB 600B50-10	12	mb	5,70	600	50	3000

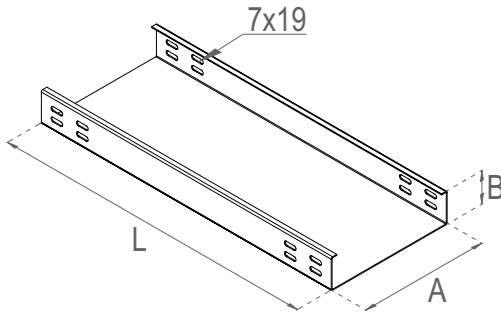


TRAY WITHOUT PERFORATION

B50



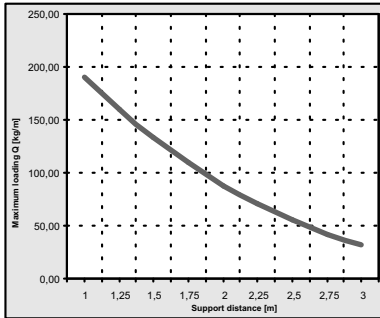
I



Application:
Cable routing

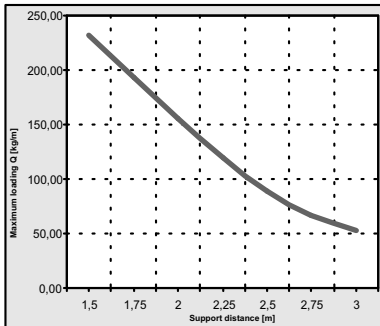
Fitting elements:
Covers PK i PKZM, connectors LKBZ, LKK, LPK, LUK, partition PDK.

Material:
Steel galvanized by Sendzimir method (EN 10327)
On request: hot deep galvanized steel (EN ISO 1461), stainless steel (AISI 304 or AISI 316), aluminum, powder coating on each of RAL colours.



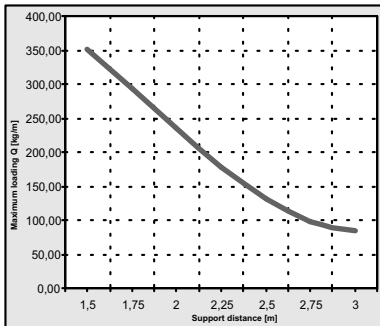
1,20

KB . . .B50-12							
Cat. No.	Symbol		Jm	Weight [kg/m]	Dim. A [mm]	Dim. B [mm]	Dim. L [mm]
789741	KB 50B50-12		3 mb	1,54	50	50	3000
789742	KB 80B50-12		3 mb	1,83	80	50	3000
789743	KB 100B50-12		3 mb	2,02	100	50	3000
789744	KB 120B50-12		3 mb	2,21	120	50	3000
789745	KB 150B50-12		3 mb	2,50	150	50	3000
789746	KB 200B50-12		3 mb	2,98	200	50	3000
789747	KB 250B50-12		3 mb	3,46	250	50	3000
789748	KB 300B50-12		3 mb	3,94	300	50	3000
789749	KB 400B50-12		3 mb	4,90	400	50	3000
789750	KB 500B50-12		3 mb	5,86	500	50	3000
789751	KB 600B50-12		3 mb	6,82	600	50	3000



1,50

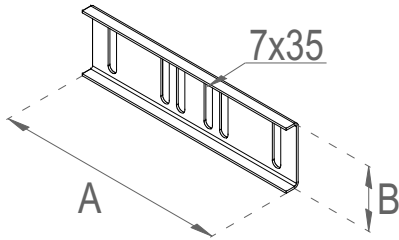
KB . . .B50-15							
Cat. No.	Symbol		Jm	Weight [kg/m]	Dim. A [mm]	Dim. B [mm]	Dim. L [mm]
784064	KB 50B50-15		3 mb	1,90	50	50	3000
784065	KB 80B50-15		3 mb	2,26	80	50	3000
784066	KB 100B50-15		3 mb	2,50	100	50	3000
784067	KB 120B50-15		3 mb	2,74	120	50	3000
784068	KB 150B50-15		3 mb	3,10	150	50	3000
784069	KB 200B50-15		3 mb	3,70	200	50	3000
784070	KB 250B50-15		3 mb	4,30	250	50	3000
784071	KB 300B50-15		3 mb	4,90	300	50	3000
784072	KB 400B50-15		3 mb	6,10	400	50	3000
784073	KB 500B50-15		3 mb	7,30	500	50	3000
784074	KB 600B50-15		3 mb	8,50	600	50	3000



2,00

KB . . .B50-20							
Cat. No.	Symbol		Jm	Weight [kg/m]	Dim. A [mm]	Dim. B [mm]	Dim. L [mm]
786642	KB 50B50-20		3 mb	2,46	50	50	3000
786643	KB 80B50-20		3 mb	2,94	80	50	3000
786644	KB 100B50-20		3 mb	3,26	100	50	3000
786645	KB 120B50-20		3 mb	3,58	120	50	3000
786646	KB 150B50-20		3 mb	4,06	150	50	3000
786647	KB 200B50-20		3 mb	4,86	200	50	3000
786648	KB 250B50-20		3 mb	5,66	250	50	3000
786649	KB 300B50-20		3 mb	6,46	300	50	3000
786650	KB 400B50-20		3 mb	8,06	400	50	3000
786651	KB 500B50-20		3 mb	9,66	500	50	3000
786652	KB 600B50-20		3 mb	11,26	600	50	3000

TRAY CONNECTOR



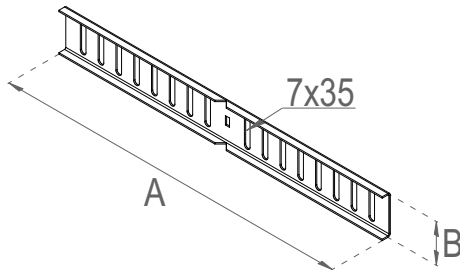
Application:
Connecting cable trays.
Suitable for trays: KP, KB.
For assembly use 4 sets of SGNKK M6x10.

Material:
Steel galvanized by Sendzimir method (EN 10327)
On request: hot deep galvanized steel (EN ISO 1461),
stainless steel (AISI 304 or AISI 316), aluminum,
powder coating on each of RAL colours.

LKBZ B50

Cat. No.	Symbol	Jm	Weight [kg/pc.]	Dim. A [mm]	Dim. B [mm]
785401	LKBZ B50	80 pcs.	0,08	170	47

ANGULAR TRAY CONNECTOR



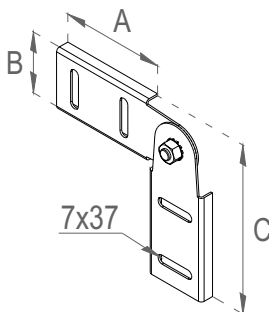
Application:
Horizontal angle connection.
Suitable for trays: KP, KB.
For assembly use 4 sets of SGNKK M6x10.

Material:
Steel galvanized by Sendzimir method (EN 10327)
On request: hot deep galvanized steel (EN ISO 1461),
stainless steel (AISI 304 or AISI 316), aluminum,
powder coating on each of RAL colours.

LKK B50

Cat. No.	Symbol	Jm	Weight [kg/pc.]	Dim. A [mm]	Dim. B [mm]
786496	LKK B50	1 pcs.	0,08	400	47

ADJUSTABLE TRAY CONNECTOR



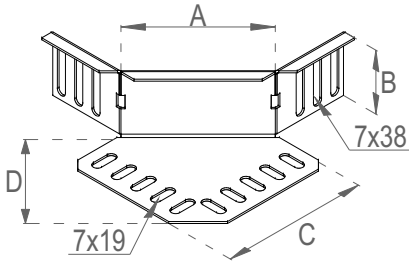
Application:
Vertical angle connection.
Suitable for trays: KP, KB.
For assembly use 4 sets of SGNKK M6x10.

Material:
Steel galvanized by Sendzimir method (EN 10327)
On request: hot deep galvanized steel (EN ISO 1461),
stainless steel (AISI 304 or AISI 316), aluminum,
powder coating on each of RAL colours.

LPK B50

Cat. No.	Symbol	Jm	Weight [kg/pc.]	Dim. A [mm]	Dim. B [mm]	Dim. C [mm]
785406	LPK B50	1 pcs.	0,16	80	47	130

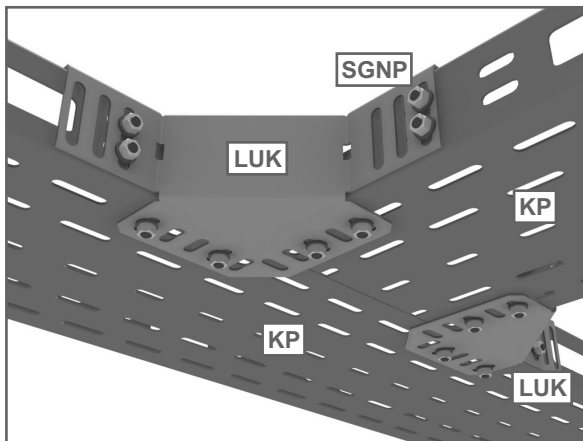
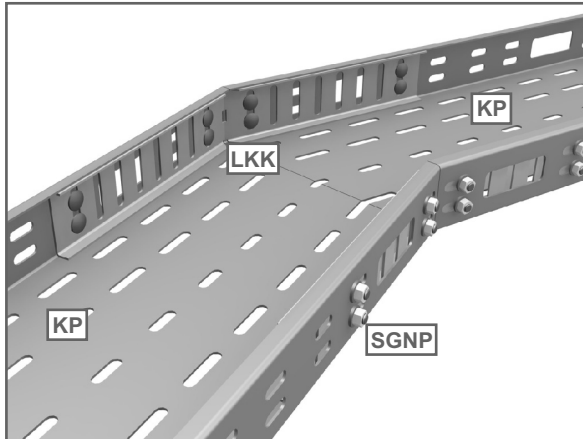
B50



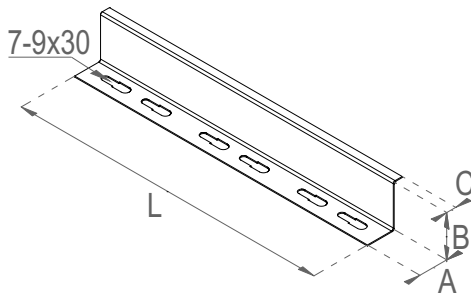
Application:
 Branching out cable tray.
 Suitable for trays: KP, KB
 For assembly use 8 sets of SGNKK M6x10.

Material:
 Steel galvanized by Sendzimir method (EN 10327)
 On request: hot deep galvanized steel (EN ISO 1461),
 stainless steel (AISI 304 or AISI 316), aluminum,
 powder coating on each of RAL colours.

LUK B50								
Cat. No.	Symbol		Jm	Weight	Dim.	Dim.	Dim.	Dim.
			pcs.	[kg/pc.]	A [mm]	B [mm]	C [mm]	D [mm]
786629	LUK B50		100	0,06	95	53	110	90



TRAY PARTITION



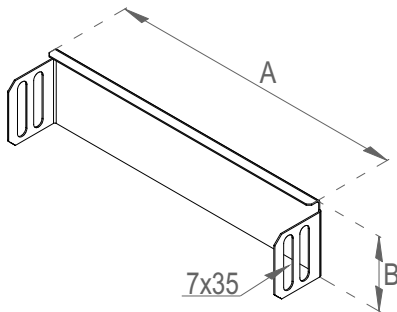
Application:
Cable tray dividing.
Suitable for trays: KP, KB

Material:
Steel galvanized by Sendzimir method (EN 10327)
On request: hot deep galvanized steel (EN ISO 1461),
stainless steel (AISI 304 or AISI 316), aluminum,
powder coating on each of RAL colours.

PDK B50. . .									
0,55 - 2,00	Cat. No.	Symbol		Jm	Weight [kg/m]	Dim. A [mm]	Dim. B [mm]	Dim. C [mm]	Dim. L [mm]
	784103	PDK B50M-055	2	mb	0,32	30	48	10	2000
	784104	PDK B50-055	2	mb	0,32	30	48	10	2000
	784113	PDK B50M-075	3	mb	0,43	30	48	10	3000
	784114	PDK B50-075	3	mb	0,43	30	48	10	3000
	784123	PDK B50M-10	3	mb	0,56	30	48	10	3000
	784124	PDK B50-10	3	mb	0,56	30	48	10	3000
	784133	PDK B50M-15	3	mb	0,82	30	48	10	3000
	784134	PDK B50-15	3	mb	0,82	30	48	10	3000
	786736	PDK B50M-20	3	mb	1,06	30	48	10	3000
786737	PDK B50-20	3	mb	1,06	30	48	10	3000	

Attention: The symbol of the partition containing the M means the partition installed in the tray.

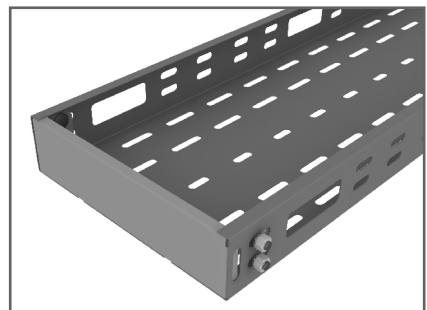
TRAY CAP

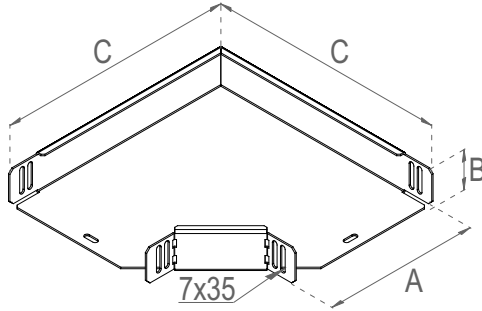


Application:
Cable tray ending.
Suitable for trays: KP, KB.

Material:
Steel galvanized by Sendzimir method (EN 10327)
On request: hot deep galvanized steel (EN ISO 1461),
stainless steel (AISI 304 or AISI 316), aluminum,
powder coating on each of RAL colours.

ZPK . . . B50-075							
0,75	Cat. No.	Symbol		Jm	Weight [kg/pc.]	Dim. A [mm]	Dim. B [mm]
	788619	ZPK 50B50-075	1	pcs.	0,03	48	48
	788620	ZPK 80B50-075	1	pcs.	0,05	78	48
	788621	ZPK 100B50-075	1	pcs.	0,06	98	48
	788622	ZPK 120B50-075	1	pcs.	0,07	118	48
	788623	ZPK 150B50-075	1	pcs.	0,08	148	48
	788624	ZPK 200B50-075	1	pcs.	0,10	198	48
	788625	ZPK 250B50-075	1	pcs.	0,12	248	48
	788626	ZPK 300B50-075	1	pcs.	0,14	298	48
	788627	ZPK 400B50-075	1	pcs.	0,19	398	48
	788628	ZPK 500B50-075	1	pcs.	0,23	498	48
	788629	ZPK 600B50-075	1	pcs.	0,27	598	48





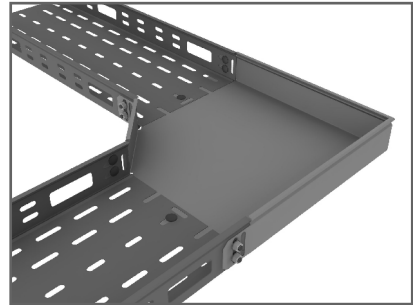
B50



Application:
Horizontal change of direction of cable routes.

Fitting elements:
Cover PKK

Material:
Steel galvanized by Sendzimir method (EN 10327)
On request: hot deep galvanized steel (EN ISO 1461),
stainless steel (AISI 304 or AISI 316), aluminum,
powder coating on each of RAL colours.



KK...B50-075

Cat. No.	Symbol		Jm	Weight [kg/pc]	Dim. [mm]		
					A	B	C
784193	KK 50B50-075	1	pcs.	0,30	58	53	170
784194	KK 80B50-075	1	pcs.	0,38	83	53	200
784195	KK 100B50-075	1	pcs.	0,42	103	53	210
784196	KK 120B50-075	1	pcs.	0,48	123	53	230
784197	KK 150B50-075	1	pcs.	0,59	153	53	260
784198	KK 200B50-075	1	pcs.	0,81	203	53	315
784199	KK 250B50-075	1	pcs.	1,05	253	53	365
784200	KK 300B50-075	1	pcs.	1,31	303	53	415

0,75

KK...B50-10

Cat. No.	Symbol		Jm	Weight [kg/pc]	Dim. [mm]		
					A	B	C
784231	KK 50B50-10	1	pcs.	0,40	58	53	170
784232	KK 80B50-10	1	pcs.	0,51	83	53	200
784233	KK 100B50-10	1	pcs.	0,55	103	53	210
784234	KK 120B50-10	1	pcs.	0,64	123	53	230
784235	KK 150B50-10	1	pcs.	0,78	153	53	260
784236	KK 200B50-10	1	pcs.	1,08	203	53	315
784237	KK 250B50-10	1	pcs.	1,40	253	53	365
784238	KK 300B50-10	1	pcs.	1,75	303	53	415
784239	KK 400B50-10	1	pcs.	2,58	403	53	515
784240	KK 500B50-10	1	pcs.	3,57	503	53	615
784241	KK 600B50-10	1	pcs.	4,72	603	53	715

1,00

KK...B50-15

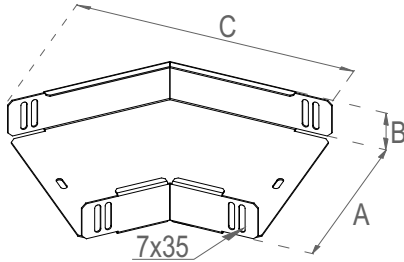
Cat. No.	Symbol		Jm	Weight [kg/pc]	Dim. [mm]		
					A	B	C
784281	KK 50B50-15	1	pcs.	0,60	55	50	170
784282	KK 80B50-15	1	pcs.	0,77	80	50	200
784283	KK 100B50-15	1	pcs.	0,83	100	50	210
784284	KK 120B50-15	1	pcs.	0,96	120	50	230
784285	KK 150B50-15	1	pcs.	1,18	150	50	260
784286	KK 200B50-15	1	pcs.	1,63	200	50	315
784287	KK 250B50-15	1	pcs.	2,10	250	50	365
784288	KK 300B50-15	1	pcs.	2,63	300	50	415
784289	KK 400B50-15	1	pcs.	3,87	400	50	515
784290	KK 500B50-15	1	pcs.	5,35	500	50	615
784291	KK 600B50-15	1	pcs.	7,08	600	50	715

1,50

KK...B50-20

Cat. No.	Symbol		Jm	Weight [kg/pc]	Dim. [mm]		
					A	B	C
786753	KK 50B50-20	1	pcs.	0,80	55	50	170
786754	KK 80B50-20	1	pcs.	1,02	80	50	200
786755	KK 100B50-20	1	pcs.	1,11	100	50	210
786756	KK 120B50-20	1	pcs.	1,28	120	50	230
786757	KK 150B50-20	1	pcs.	1,57	150	50	260
786758	KK 200B50-20	1	pcs.	2,17	200	50	315
786759	KK 250B50-20	1	pcs.	2,80	250	50	365
786760	KK 300B50-20	1	pcs.	3,50	300	50	415
786761	KK 400B50-20	1	pcs.	5,16	400	50	515
786762	KK 500B50-20	1	pcs.	7,14	500	50	615
786763	KK 600B50-20	1	pcs.	9,44	600	50	715

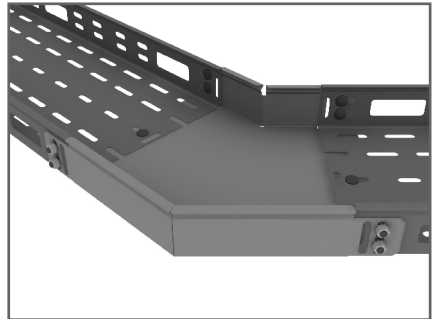
2,00



Application:
Horizontal change of direction of cable routes.

Fitting elements:
Cover PKK45

Material:
Steel galvanized by Sendzimir method (EN 10327)
On request: hot deep galvanized steel (EN ISO 1461),
stainless steel (AISI 304 or AISI 316), aluminum,
powder coating on each of RAL colours.



KK45 ...B50-075

Cat. No.	Symbol	Jm	Weight [kg/pc.]	Dim. A [mm]	Dim. B [mm]	Dim. C [mm]
788195	KK45 50B50-075	1	0,21	58	53	170
788196	KK45 80B50-075	1	0,27	83	53	200
788197	KK45 100B50-075	1	0,29	103	53	210
788198	KK45 120B50-075	1	0,34	123	53	230
788199	KK45 150B50-075	1	0,41	153	53	260
788200	KK45 200B50-075	1	0,57	203	53	315
788201	KK45 250B50-075	1	0,73	253	53	365
788202	KK45 300B50-075	1	0,92	303	53	415

0,75

KK45 ...B50-10

Cat. No.	Symbol	Jm	Weight [kg/pc.]	Dim. A [mm]	Dim. B [mm]	Dim. C [mm]
788233	KK45 50B50-10	1	0,28	58	53	170
788234	KK45 80B50-10	1	0,36	83	53	200
788235	KK45 100B50-10	1	0,39	103	53	210
788236	KK45 120B50-10	1	0,45	123	53	230
788237	KK45 150B50-10	1	0,55	153	53	260
788238	KK45 200B50-10	1	0,76	203	53	315
788239	KK45 250B50-10	1	0,98	253	53	365
788240	KK45 300B50-10	1	1,23	303	53	415
788241	KK45 400B50-10	1	1,81	403	53	515
788242	KK45 500B50-10	1	2,50	503	53	615
788243	KK45 600B50-10	1	3,30	603	53	715

1,00

KK45 ...B50-15

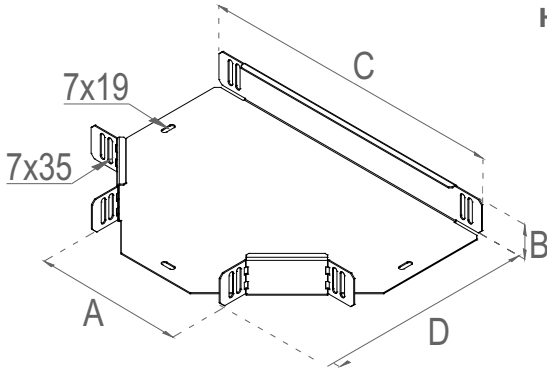
Cat. No.	Symbol	Jm	Weight [kg/pc.]	Dim. A [mm]	Dim. B [mm]	Dim. C [mm]
788281	KK45 50B50-15	1	0,42	50	50	170
788282	KK45 80B50-15	1	0,54	80	50	200
788283	KK45 100B50-15	1	0,58	100	50	210
788284	KK45 120B50-15	1	0,67	120	50	230
788285	KK45 150B50-15	1	0,82	150	50	260
788286	KK45 200B50-15	1	1,14	200	50	315
788287	KK45 250B50-15	1	1,47	250	50	365
788288	KK45 300B50-15	1	1,84	300	50	415
788289	KK45 400B50-15	1	2,71	400	50	515
788290	KK45 500B50-15	1	3,75	500	50	615
788291	KK45 600B50-15	1	4,95	600	50	715

1,50

KK45 ...B50-20

Cat. No.	Symbol	Jm	Weight [kg/pc.]	Dim. A [mm]	Dim. B [mm]	Dim. C [mm]
788329	KK45 50B50-20	1	0,56	50	50	170
788330	KK45 80B50-20	1	0,72	80	50	200
788331	KK45 100B50-20	1	0,77	100	50	210
788332	KK45 120B50-20	1	0,90	120	50	230
788333	KK45 150B50-20	1	1,10	150	50	260
788334	KK45 200B50-20	1	1,52	200	50	315
788335	KK45 250B50-20	1	1,96	250	50	365
788336	KK45 300B50-20	1	2,45	300	50	415
788337	KK45 400B50-20	1	3,61	400	50	515
788338	KK45 500B50-20	1	5,00	500	50	615
788339	KK45 600B50-20	1	6,61	600	50	715

2,00



B50



Application:
Branching out cable routes.

Fitting elements:
Cover PTK

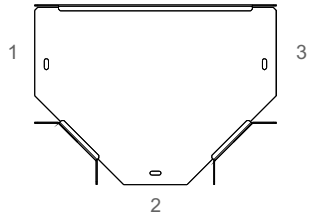
Material:
Steel galvanized by Sendzimir method (EN 10327)
On request: hot deep galvanized steel (EN ISO 1461), stainless steel (AISI 304 or AISI 316), aluminum, powder coating on each of RAL colours.

TK...B50-075									
0,75	Cat. No.	Symbol	Jm	Weight [kg/pc.]	Dim. A [mm]	Dim. B [mm]	Dim. C [mm]	Dim. D [mm]	
	784358	TK 50B50-075	1	pcs.	0,36	53	53	275	160
	784359	TK 80B50-075	1	pcs.	0,44	83	53	300	185
	784360	TK 100B50-075	1	pcs.	0,51	103	53	315	210
	784361	TK 120B50-075	1	pcs.	0,58	123	53	335	230
	784362	TK 150B50-075	1	pcs.	0,70	153	53	365	260
	784363	TK 200B50-075	1	pcs.	0,92	203	53	415	310
	784364	TK 250B50-075	1	pcs.	1,17	253	53	465	360
784365	TK 300B50-075	1	pcs.	1,45	303	53	515	410	

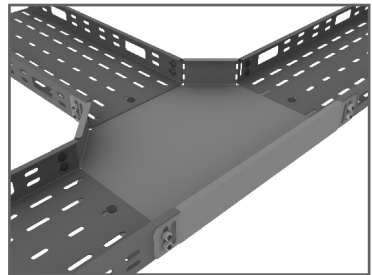
TK...B50-10									
1,00	Cat. No.	Symbol	Jm	Weight [kg/pc.]	Dim. A [mm]	Dim. B [mm]	Dim. C [mm]	Dim. D [mm]	
	784396	TK 50B50-10	1	pcs.	0,48	53	53	275	160
	784397	TK 80B50-10	1	pcs.	0,58	83	53	300	185
	784398	TK 100B50-10	1	pcs.	0,68	103	53	315	210
	784399	TK 120B50-10	1	pcs.	0,77	123	53	335	230
	784400	TK 150B50-10	1	pcs.	0,93	153	53	365	260
	784401	TK 200B50-10	1	pcs.	1,22	203	53	415	310
	784402	TK 250B50-10	1	pcs.	1,55	253	53	465	360
	784403	TK 300B50-10	1	pcs.	1,93	303	53	515	410
	784404	TK 400B50-10	1	pcs.	2,79	403	53	615	510
	784405	TK 500B50-10	1	pcs.	3,82	503	53	715	610
	784406	TK 600B50-10	1	pcs.	5,01	603	53	815	710

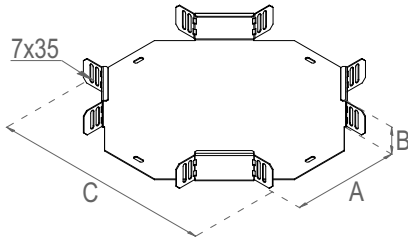
TK...B50-15									
1,50	Cat. No.	Symbol	Jm	Weight [kg/pc.]	Dim. A [mm]	Dim. B [mm]	Dim. C [mm]	Dim. D [mm]	
	784446	TK 50B50-15	1	pcs.	0,72	50	50	275	160
	784447	TK 80B50-15	1	pcs.	0,87	80	50	300	185
	784448	TK 100B50-15	1	pcs.	1,01	100	50	315	210
	784449	TK 120B50-15	1	pcs.	1,16	120	50	335	230
	784450	TK 150B50-15	1	pcs.	1,39	150	50	365	260
	784451	TK 200B50-15	1	pcs.	1,83	200	50	415	310
	784452	TK 250B50-15	1	pcs.	2,33	250	50	465	360
	784453	TK 300B50-15	1	pcs.	2,89	300	50	515	410
	784454	TK 400B50-15	1	pcs.	4,19	400	50	615	510
	784455	TK 500B50-15	1	pcs.	5,73	500	50	715	610
	784456	TK 600B50-15	1	pcs.	7,51	600	50	815	710

TK...B50-20									
2,00	Cat. No.	Symbol	Jm	Weight [kg/pc.]	Dim. A [mm]	Dim. B [mm]	Dim. C [mm]	Dim. D [mm]	
	786812	TK 50B50-20	1	pcs.	0,96	50	50	275	160
	786813	TK 80B50-20	1	pcs.	1,17	80	50	300	185
	786814	TK 100B50-20	1	pcs.	1,35	100	50	315	210
	786815	TK 120B50-20	1	pcs.	1,54	120	50	335	230
	786816	TK 150B50-20	1	pcs.	1,86	150	50	365	260
	786817	TK 200B50-20	1	pcs.	2,44	200	50	415	310
	786818	TK 250B50-20	1	pcs.	3,11	250	50	465	360
	786819	TK 300B50-20	1	pcs.	3,86	300	50	515	410
	786820	TK 400B50-20	1	pcs.	5,59	400	50	615	510
	786821	TK 500B50-20	1	pcs.	7,64	500	50	715	610
	786822	TK 600B50-20	1	pcs.	10,01	600	50	815	710



In case of special orders specify dimensions: 1, 2, 3.
Example: TK 1/2/3B50-15





Application:
Branching out cable routes.

Fitting elements:
Cover PCZK

Material:
Steel galvanized by Sendzimir method (EN 10327)
On request: hot deep galvanized steel (EN ISO 1461),
stainless steel (AISI 304 or AISI 316), aluminum,
powder coating on each of RAL colours.

CZK...B50-075

Cat. No.	Symbol	Jm	Weight [kg/pc.]	Dim. [mm]		
				A	B	C
784522	CZK 50B50-075	1 pcs.	0.49	53	53	270
784523	CZK 80B50-075	1 pcs.	0.62	83	53	300
784524	CZK 100B50-075	1 pcs.	0.71	103	53	320
784525	CZK 120B50-075	1 pcs.	0.80	123	53	340
784526	CZK 150B50-075	1 pcs.	0.95	153	53	370
784527	CZK 200B50-075	1 pcs.	1.22	203	53	420
784528	CZK 250B50-075	1 pcs.	1.53	253	53	470
784529	CZK 300B50-075	1 pcs.	1.86	303	53	520

CZK...B50-10

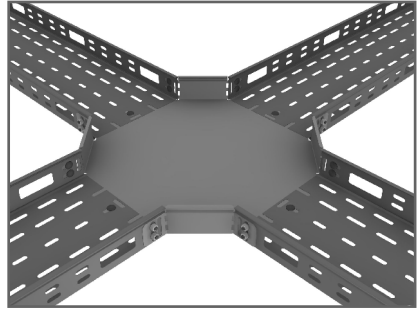
Cat. No.	Symbol	Jm	Weight [kg/pc.]	Dim. [mm]		
				A	B	C
784560	CZK 50B50-10	1 pcs.	0.66	53	53	270
784561	CZK 80B50-10	1 pcs.	0.82	83	53	300
784562	CZK 100B50-10	1 pcs.	0.94	103	53	320
784563	CZK 120B50-10	1 pcs.	1.07	123	53	340
784564	CZK 150B50-10	1 pcs.	1.27	153	53	370
784565	CZK 200B50-10	1 pcs.	1.63	203	53	420
784566	CZK 250B50-10	1 pcs.	2.03	253	53	470
784567	CZK 300B50-10	1 pcs.	2.48	303	53	520
784568	CZK 400B50-10	1 pcs.	3.49	403	53	620
784569	CZK 500B50-10	1 pcs.	4.65	503	53	720
784570	CZK 600B50-10	1 pcs.	5.98	603	53	820

CZK...B50-15

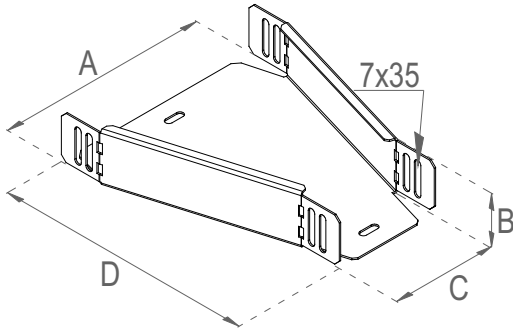
Cat. No.	Symbol	Jm	Weight [kg/pc.]	Dim. [mm]		
				A	B	C
784610	CZK 50B50-15	1 pcs.	0.99	50	50	270
784611	CZK 80B50-15	1 pcs.	1.23	80	50	300
784612	CZK 100B50-15	1 pcs.	1.41	100	50	320
784613	CZK 120B50-15	1 pcs.	1.60	120	50	340
784614	CZK 150B50-15	1 pcs.	1.90	150	50	370
784615	CZK 200B50-15	1 pcs.	2.44	200	50	420
784616	CZK 250B50-15	1 pcs.	3.05	250	50	470
784617	CZK 300B50-15	1 pcs.	3.72	300	50	520
784618	CZK 400B50-15	1 pcs.	5.23	400	50	620
784619	CZK 500B50-15	1 pcs.	6.98	500	50	720
784620	CZK 600B50-15	1 pcs.	8.97	600	50	820

CZK...B50-20

Cat. No.	Symbol	Jm	Weight [kg/pc.]	Dim. [mm]		
				A	B	C
786871	CZK 50B50-20	1 pcs.	1.32	50	50	270
786872	CZK 80B50-20	1 pcs.	1.65	80	50	300
786873	CZK 100B50-20	1 pcs.	1.88	100	50	320
786874	CZK 120B50-20	1 pcs.	2.13	120	50	340
786875	CZK 150B50-20	1 pcs.	2.53	150	50	370
786876	CZK 200B50-20	1 pcs.	3.26	200	50	420
786877	CZK 250B50-20	1 pcs.	4.07	250	50	470
786878	CZK 300B50-20	1 pcs.	4.96	300	50	520
786879	CZK 400B50-20	1 pcs.	6.97	400	50	620
786880	CZK 500B50-20	1 pcs.	9.31	500	50	720
786881	CZK 600B50-20	1 pcs.	11.96	600	50	820



B50



Application:
Reducing width of cable routes.

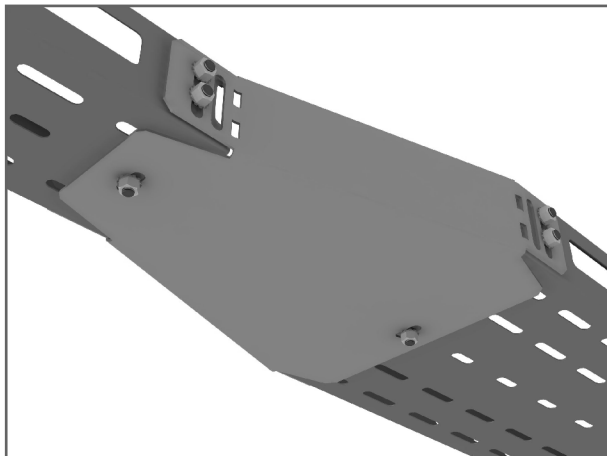
Fitting elements:
Cover PRK

Material:
Steel galvanized by Sendzimir method (EN 10327)
On request: hot deep galvanized steel (EN ISO 1461),
stainless steel (AISI 304 or AISI 316), aluminum,
powder coating on each of RAL colours.

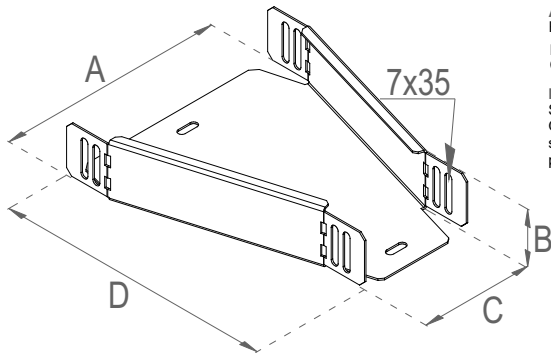
RK ...B50-075

Cat. No.	Symbol		Jm	Weight [kg/pc.]	Dim. A [mm]	Dim. B [mm]	Dim. C [mm]	Dim. D [mm]
784706	RK 80/50B50-075	1	pcs.	0.22	83	53	53	200
784707	RK 100/50B50-075	1	pcs.	0.24	103	53	53	200
784708	RK 100/80B50-075	1	pcs.	0.25	103	53	83	200
784709	RK 120/50B50-075	1	pcs.	0.26	123	53	53	200
784710	RK 120/80B50-075	1	pcs.	0.27	123	53	83	200
784711	RK 120/100B50-075	1	pcs.	0.27	123	53	103	200
784712	RK 150/50B50-075	1	pcs.	0.29	153	53	53	200
784713	RK 150/80B50-075	1	pcs.	0.30	153	53	83	200
784714	RK 150/100B50-075	1	pcs.	0.30	153	53	103	200
784715	RK 150/120B50-075	1	pcs.	0.30	153	53	123	200
784716	RK 200/50B50-075	1	pcs.	0.41	203	53	53	250
784717	RK 200/80B50-075	1	pcs.	0.42	203	53	83	250
784718	RK 200/100B50-075	1	pcs.	0.43	203	53	103	250
784719	RK 200/120B50-075	1	pcs.	0.44	203	53	123	250
784720	RK 200/150B50-075	1	pcs.	0.45	203	53	153	250
784721	RK 250/120B50-075	1	pcs.	0.49	253	53	123	250
784722	RK 250/150B50-075	1	pcs.	0.50	253	53	153	250
784723	RK 250/200B50-075	1	pcs.	0.52	253	53	203	250
784724	RK 300/150B50-075	1	pcs.	0.66	303	53	153	300
784725	RK 300/200B50-075	1	pcs.	0.69	303	53	203	300
784726	RK 300/250B50-075	1	pcs.	0.71	303	53	253	300
784727	RK 400/200B50-075	1	pcs.	0.82	403	53	203	300
784728	RK 400/250B50-075	1	pcs.	0.84	403	53	253	300
784729	RK 400/300B50-075	1	pcs.	0.87	403	53	303	300
784730	RK 500/400B50-075	1	pcs.	1.21	503	53	403	350
784731	RK 600/400B50-075	1	pcs.	1.36	603	53	403	350
784732	RK 600/500B50-075	1	pcs.	1.42	603	53	503	350

0.75



HORIZONTAL SYMMETRIC REDUCTION



Application:
Reducing width of cable routes.

Fitting elements:
Cover PRK

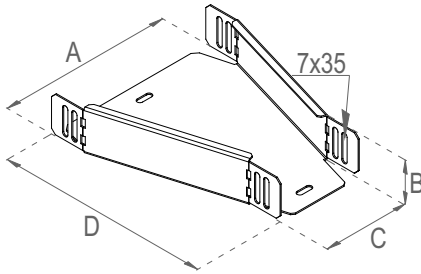
Material:
Steel galvanized by Sendzimir method (EN 10327)
On request: hot deep galvanized steel (EN ISO 1461),
stainless steel (AISI 304 or AISI 316), aluminum,
powder coating on each of RAL colours.

RK...B50-10

Cat. No.	Symbol	Pcs	Jm	Weight [kg/pc.]	Dim.			
					A [mm]	B [mm]	C [mm]	D [mm]
784818	RK 80/50B50-10	1	pcs.	0,29	83	53	53	200
784819	RK 100/50B50-10	1	pcs.	0,32	103	53	53	200
784820	RK 100/80B50-10	1	pcs.	0,33	103	53	83	200
784821	RK 120/50B50-10	1	pcs.	0,35	123	53	53	200
784822	RK 120/80B50-10	1	pcs.	0,36	123	53	83	200
784823	RK 120/100B50-10	1	pcs.	0,36	123	53	103	200
784824	RK 150/50B50-10	1	pcs.	0,39	153	53	53	200
784825	RK 150/80B50-10	1	pcs.	0,40	153	53	83	200
784826	RK 150/100B50-10	1	pcs.	0,40	153	53	103	200
784827	RK 150/120B50-10	1	pcs.	0,41	153	53	123	200
784828	RK 200/50B50-10	1	pcs.	0,55	203	53	53	250
784829	RK 200/80B50-10	1	pcs.	0,56	203	53	83	250
784830	RK 200/100B50-10	1	pcs.	0,57	203	53	103	250
784831	RK 200/120B50-10	1	pcs.	0,58	203	53	123	250
784832	RK 200/150B50-10	1	pcs.	0,60	203	53	153	250
784833	RK 250/120B50-10	1	pcs.	0,66	253	53	123	250
784834	RK 250/150B50-10	1	pcs.	0,67	253	53	153	250
784835	RK 250/200B50-10	1	pcs.	0,70	253	53	203	250
784836	RK 300/150B50-10	1	pcs.	0,88	303	53	153	300
784837	RK 300/200B50-10	1	pcs.	0,92	303	53	203	300
784838	RK 300/250B50-10	1	pcs.	0,95	303	53	253	300
784839	RK 400/200B50-10	1	pcs.	1,09	403	53	203	300
784840	RK 400/250B50-10	1	pcs.	1,12	403	53	253	300
784841	RK 400/300B50-10	1	pcs.	1,16	403	53	303	300
784842	RK 500/400B50-10	1	pcs.	1,62	503	53	403	350
784843	RK 600/400B50-10	1	pcs.	1,81	603	53	403	350
784844	RK 600/500B50-10	1	pcs.	1,90	603	53	503	350

1,00

HORIZONTAL SYMMETRIC REDUCTION



Application:
Reducing width of cable routes.

Fitting elements:
Cover PRK

Material:
Steel galvanized by Sendzimir method (EN 10327)
On request: hot deep galvanized steel (EN ISO 1461),
stainless steel (AISI 304 or AISI 316), aluminum,
powder coating on each of RAL colours.

B50



RK ... B50-15

Cat. No.	Symbol	Jm	Weight (kg/pc.)	Dim.			
				A [mm]	B [mm]	C [mm]	D [mm]
784929	RK 80/50B50-15	1 pcs.	0,44	80	50	50	200
784930	RK 100/50B50-15	1 pcs.	0,48	100	50	50	200
784931	RK 100/80B50-15	1 pcs.	0,49	100	50	80	200
784932	RK 120/50B50-15	1 pcs.	0,52	120	50	50	200
784933	RK 120/80B50-15	1 pcs.	0,53	120	50	80	200
784934	RK 120/100B50-15	1 pcs.	0,54	120	50	100	200
784935	RK 150/50B50-15	1 pcs.	0,58	150	50	50	200
784936	RK 150/80B50-15	1 pcs.	0,59	150	50	80	200
784937	RK 150/100B50-15	1 pcs.	0,60	150	50	100	200
784938	RK 150/120B50-15	1 pcs.	0,61	150	50	120	200
784939	RK 200/50B50-15	1 pcs.	0,82	200	50	50	250
784940	RK 200/80B50-15	1 pcs.	0,84	200	50	80	250
784941	RK 200/100B50-15	1 pcs.	0,86	200	50	100	250
784942	RK 200/120B50-15	1 pcs.	0,87	200	50	120	250
784943	RK 200/150B50-15	1 pcs.	0,89	200	50	150	250
784944	RK 250/120B50-15	1 pcs.	0,99	250	50	120	250
784945	RK 250/150B50-15	1 pcs.	1,01	250	50	150	250
784946	RK 250/200B50-15	1 pcs.	1,04	250	50	200	250
784947	RK 300/150B50-15	1 pcs.	1,32	300	50	150	300
784948	RK 300/200B50-15	1 pcs.	1,37	300	50	200	300
784949	RK 300/250B50-15	1 pcs.	1,42	300	50	250	300
784950	RK 400/200B50-15	1 pcs.	1,63	400	50	200	300
784951	RK 400/250B50-15	1 pcs.	1,68	400	50	250	300
784952	RK 400/300B50-15	1 pcs.	1,73	400	50	300	300
784953	RK 500/400B50-15	1 pcs.	2,43	500	50	400	350
784954	RK 600/400B50-15	1 pcs.	2,72	600	50	400	350
784955	RK 600/500B50-15	1 pcs.	2,85	600	50	500	350

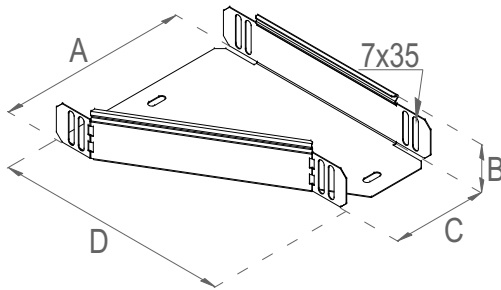
1,50

RK ... B50-20

Cat. No.	Symbol	Jm	Weight (kg/pc.)	Dim.			
				A [mm]	B [mm]	C [mm]	D [mm]
786939	RK 80/50B50-20	1 pcs.	0,59	80	50	50	200
786940	RK 100/50B50-20	1 pcs.	0,64	100	50	50	200
786941	RK 100/80B50-20	1 pcs.	0,66	100	50	80	200
786942	RK 120/50B50-20	1 pcs.	0,70	120	50	50	200
786943	RK 120/80B50-20	1 pcs.	0,71	120	50	80	200
786944	RK 120/100B50-20	1 pcs.	0,72	120	50	100	200
786945	RK 150/50B50-20	1 pcs.	0,78	150	50	50	200
786946	RK 150/80B50-20	1 pcs.	0,79	150	50	80	200
786947	RK 150/100B50-20	1 pcs.	0,80	150	50	100	200
786948	RK 150/120B50-20	1 pcs.	0,81	150	50	120	200
786949	RK 200/50B50-20	1 pcs.	1,10	200	50	50	250
786950	RK 200/80B50-20	1 pcs.	1,13	200	50	80	250
786951	RK 200/100B50-20	1 pcs.	1,14	200	50	100	250
786952	RK 200/120B50-20	1 pcs.	1,16	200	50	120	250
786953	RK 200/150B50-20	1 pcs.	1,19	200	50	150	250
786954	RK 250/120B50-20	1 pcs.	1,32	250	50	120	250
786955	RK 250/150B50-20	1 pcs.	1,34	250	50	150	250
786956	RK 250/200B50-20	1 pcs.	1,39	250	50	200	250
786957	RK 300/150B50-20	1 pcs.	1,77	300	50	150	300
786958	RK 300/200B50-20	1 pcs.	1,83	300	50	200	300
786959	RK 300/250B50-20	1 pcs.	1,90	300	50	250	300
786960	RK 400/200B50-20	1 pcs.	2,18	400	50	200	300
786961	RK 400/250B50-20	1 pcs.	2,25	400	50	250	300
786962	RK 400/300B50-20	1 pcs.	2,31	400	50	300	300
786963	RK 500/400B50-20	1 pcs.	3,24	500	50	400	350
786964	RK 600/400B50-20	1 pcs.	3,63	600	50	400	350
786965	RK 600/500B50-20	1 pcs.	3,80	600	50	500	350

2,00

HORIZONTAL REDUCTION - LEFT



Application:
Reducing width of cable routes.

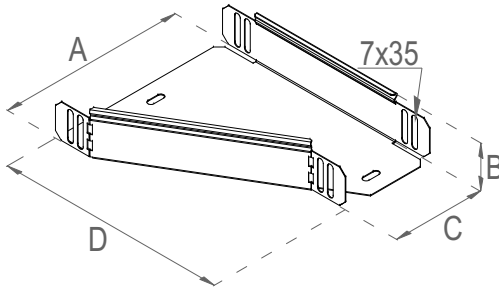
Fitting elements:
Cover PRKL

Material:
Steel galvanized by Sendzimir method (EN 10327)
On request: hot deep galvanized steel (EN ISO 1461),
stainless steel (AISI 304 or AISI 316), aluminum,
powder coating on each of RAL colours.

RKL . . . B50-075

Cat. No.	Symbol		Jm	Weight [kg/pc.]	Dim. A [mm]	Dim. B [mm]	Dim. C [mm]	Dim. D [mm]	0.75
787174	RKL 80/50B50-075	1	pcs.	0,22	83	53	53	200	
787175	RKL 100/50B50-075	1	pcs.	0,24	103	53	53	200	
787176	RKL 100/80B50-075	1	pcs.	0,25	103	53	83	200	
787177	RKL 120/50B50-075	1	pcs.	0,26	123	53	53	200	
787178	RKL 120/80B50-075	1	pcs.	0,27	123	53	83	200	
787179	RKL 120/100B50-075	1	pcs.	0,27	123	53	103	200	
787180	RKL 150/50B50-075	1	pcs.	0,29	153	53	53	200	
787181	RKL 150/80B50-075	1	pcs.	0,30	153	53	83	200	
787182	RKL 150/100B50-075	1	pcs.	0,30	153	53	103	200	
787183	RKL 150/120B50-075	1	pcs.	0,30	153	53	123	200	
787184	RKL 200/50B50-075	1	pcs.	0,41	203	53	53	250	
787185	RKL 200/80B50-075	1	pcs.	0,42	203	53	83	250	
787186	RKL 200/100B50-075	1	pcs.	0,43	203	53	103	250	
787187	RKL 200/120B50-075	1	pcs.	0,44	203	53	123	250	
787188	RKL 200/150B50-075	1	pcs.	0,45	203	53	153	250	
787189	RKL 250/120B50-075	1	pcs.	0,49	253	53	123	250	
787190	RKL 250/150B50-075	1	pcs.	0,50	253	53	153	250	
787191	RKL 250/200B50-075	1	pcs.	0,52	253	53	203	250	
787192	RKL 300/150B50-075	1	pcs.	0,66	303	53	153	300	
787193	RKL 300/200B50-075	1	pcs.	0,69	303	53	203	300	
787194	RKL 300/250B50-075	1	pcs.	0,71	303	53	253	300	
787195	RKL 400/200B50-075	1	pcs.	0,82	403	53	203	300	
787196	RKL 400/250B50-075	1	pcs.	0,84	403	53	253	300	
787197	RKL 400/300B50-075	1	pcs.	0,87	403	53	303	300	
787198	RKL 500/400B50-075	1	pcs.	1,21	503	53	403	350	
787199	RKL 600/400B50-075	1	pcs.	1,36	603	53	403	350	
787200	RKL 600/500B50-075	1	pcs.	1,42	603	53	503	350	

B50



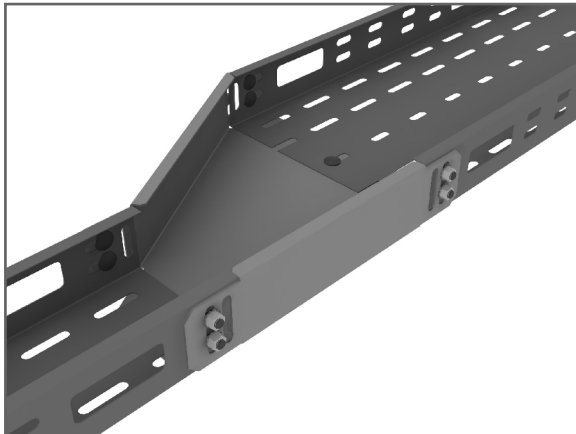
Application:
Reducing width of cable routes.

Fitting elements:
Cover PRKL

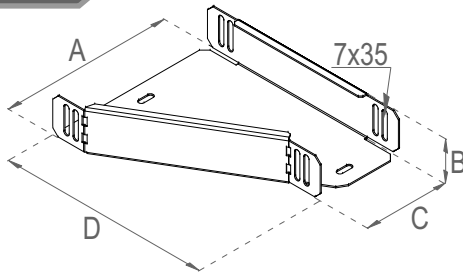
Material:
Steel galvanized by Sendzimir method (EN 10327)
On request: hot deep galvanized steel (EN ISO 1461),
stainless steel (AISI 304 or AISI 316), aluminum,
powder coating on each of RAL colours.

RKL ...B50-10

Cat. No.	Symbol		Jm	Weight (kg/pc.)	Dim. A [mm]	Dim. B [mm]	Dim. C [mm]	Dim. D [mm]
787274	RKL 80/50B50-10	1	pcs.	0,29	83	53	53	200
787275	RKL 100/50B50-10	1	pcs.	0,32	103	53	53	200
787276	RKL 100/80B50-10	1	pcs.	0,33	103	53	83	200
787277	RKL 120/50B50-10	1	pcs.	0,35	123	53	53	200
787278	RKL 120/80B50-10	1	pcs.	0,36	123	53	83	200
787279	RKL 120/100B50-10	1	pcs.	0,36	123	53	103	200
787280	RKL 150/50B50-10	1	pcs.	0,39	153	53	53	200
787281	RKL 150/80B50-10	1	pcs.	0,40	153	53	83	200
787282	RKL 150/100B50-10	1	pcs.	0,40	153	53	103	200
787283	RKL 150/120B50-10	1	pcs.	0,41	153	53	123	200
787284	RKL 200/50B50-10	1	pcs.	0,55	203	53	53	250
787285	RKL 200/80B50-10	1	pcs.	0,56	203	53	83	250
787286	RKL 200/100B50-10	1	pcs.	0,57	203	53	103	250
787287	RKL 200/120B50-10	1	pcs.	0,58	203	53	123	250
787288	RKL 200/150B50-10	1	pcs.	0,60	203	53	153	250
787289	RKL 250/120B50-10	1	pcs.	0,66	253	53	123	250
787290	RKL 250/150B50-10	1	pcs.	0,67	253	53	153	250
787291	RKL 250/200B50-10	1	pcs.	0,70	253	53	203	250
787292	RKL 300/150B50-10	1	pcs.	0,88	303	53	153	300
787293	RKL 300/200B50-10	1	pcs.	0,92	303	53	203	300
787294	RKL 300/250B50-10	1	pcs.	0,95	303	53	253	300
787295	RKL 400/200B50-10	1	pcs.	1,09	403	53	203	300
787296	RKL 400/250B50-10	1	pcs.	1,12	403	53	253	300
787297	RKL 400/300B50-10	1	pcs.	1,16	403	53	303	300
787298	RKL 500/400B50-10	1	pcs.	1,62	503	53	403	350
787299	RKL 600/400B50-10	1	pcs.	1,81	603	53	403	350
787300	RKL 600/500B50-10	1	pcs.	1,90	603	53	503	350



HORIZONTAL REDUCTION - LEFT



Application:
Reducing width of cable routes.

Fitting elements:
Cover PRKL

Material:
Steel galvanized by Sendzimir method (EN 10327)
On request: hot deep galvanized steel (EN ISO 1461),
stainless steel (AISI 304 or AISI 316), aluminum,
powder coating on each of RAL colours.

RKL . . . B50-15

Cat. No.	Symbol	Jm	Weight (kg/pc.)	Dim. A [mm]	Dim. B [mm]	Dim. C [mm]	Dim. D [mm]
787377	RKL 80/50B50-15	1	0,44	80	50	50	200
787378	RKL 100/50B50-15	1	0,48	100	50	50	200
787379	RKL 100/80B50-15	1	0,49	100	50	80	200
787380	RKL 120/50B50-15	1	0,52	120	50	50	200
787381	RKL 120/80B50-15	1	0,53	120	50	80	200
787382	RKL 120/100B50-15	1	0,54	120	50	100	200
787383	RKL 150/50B50-15	1	0,58	150	50	50	200
787384	RKL 150/80B50-15	1	0,59	150	50	80	200
787385	RKL 150/100B50-15	1	0,60	150	50	100	200
787386	RKL 150/120B50-15	1	0,61	150	50	120	200
787387	RKL 200/50B50-15	1	0,82	200	50	50	250
787388	RKL 200/80B50-15	1	0,84	200	50	80	250
787389	RKL 200/100B50-15	1	0,86	200	50	100	250
787390	RKL 200/120B50-15	1	0,87	200	50	120	250
787391	RKL 200/150B50-15	1	0,89	200	50	150	250
787392	RKL 250/120B50-15	1	0,99	250	50	120	250
787393	RKL 250/150B50-15	1	1,01	250	50	150	250
787394	RKL 250/200B50-15	1	1,04	250	50	200	250
787395	RKL 300/150B50-15	1	1,32	300	50	150	300
787396	RKL 300/200B50-15	1	1,37	300	50	200	300
787397	RKL 300/250B50-15	1	1,42	300	50	250	300
787398	RKL 400/200B50-15	1	1,63	400	50	200	300
787399	RKL 400/250B50-15	1	1,68	400	50	250	300
787400	RKL 400/300B50-15	1	1,73	400	50	300	300
787401	RKL 500/400B50-15	1	2,43	500	50	400	350
787402	RKL 600/400B50-15	1	2,72	600	50	400	350
787403	RKL 600/500B50-15	1	2,85	600	50	500	350

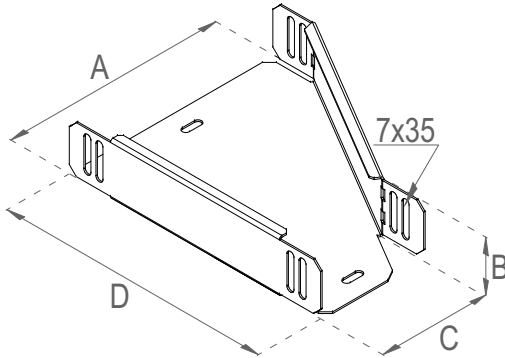
1,50

RKL . . . B50-20

Cat. No.	Symbol	Jm	Weight (kg/pc.)	Dim. A [mm]	Dim. B [mm]	Dim. C [mm]	Dim. D [mm]
787480	RKL 80/50B50-20	1	0,59	80	50	50	200
787481	RKL 100/50B50-20	1	0,64	100	50	50	200
787482	RKL 100/80B50-20	1	0,66	100	50	80	200
787483	RKL 120/50B50-20	1	0,70	120	50	50	200
787484	RKL 120/80B50-20	1	0,71	120	50	80	200
787485	RKL 120/100B50-20	1	0,72	120	50	100	200
787486	RKL 150/50B50-20	1	0,78	150	50	50	200
787487	RKL 150/80B50-20	1	0,79	150	50	80	200
787488	RKL 150/100B50-20	1	0,80	150	50	100	200
787489	RKL 150/120B50-20	1	0,81	150	50	120	200
787490	RKL 200/50B50-20	1	1,10	200	50	50	250
787491	RKL 200/80B50-20	1	1,13	200	50	80	250
787492	RKL 200/100B50-20	1	1,14	200	50	100	250
787493	RKL 200/120B50-20	1	1,16	200	50	120	250
787494	RKL 200/150B50-20	1	1,19	200	50	150	250
787495	RKL 250/120B50-20	1	1,32	250	50	120	250
787496	RKL 250/150B50-20	1	1,34	250	50	150	250
787497	RKL 250/200B50-20	1	1,39	250	50	200	250
787498	RKL 300/150B50-20	1	1,77	300	50	150	300
787499	RKL 300/200B50-20	1	1,83	300	50	200	300
787500	RKL 300/250B50-20	1	1,90	300	50	250	300
787501	RKL 400/200B50-20	1	2,18	400	50	200	300
787502	RKL 400/250B50-20	1	2,25	400	50	250	300
787503	RKL 400/300B50-20	1	2,31	400	50	300	300
787504	RKL 500/400B50-20	1	3,24	500	50	400	350
787505	RKL 600/400B50-20	1	3,63	600	50	400	350
787506	RKL 600/500B50-20	1	3,80	600	50	500	350

2,00

HORIZONTAL REDUCTION - RIGHT



Application:
Reducing width of cable routes.

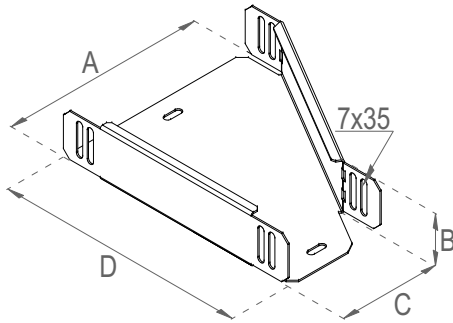
Fitting elements:
Cover PRKP

Material:
Steel galvanized by Sendzimir method (EN 10327)
On request: hot deep galvanized steel (EN ISO 1461),
stainless steel (AISI 304 or AISI 316), aluminum,
powder coating on each of RAL colours.

RKP...B50-075								
Cat. No.	Symbol		Jm	Weight [kg/pcs.]	Dim. A [mm]	Dim. B [mm]	Dim. C [mm]	Dim. D [mm]
787694	RKP 80/50B50-075	1	pcs.	0.22	83	53	53	200
787695	RKP 100/50B50-075	1	pcs.	0.24	103	53	53	200
787696	RKP 100/80B50-075	1	pcs.	0.25	103	53	83	200
787697	RKP 120/50B50-075	1	pcs.	0.26	123	53	53	200
787698	RKP 120/80B50-075	1	pcs.	0.27	123	53	83	200
787699	RKP 120/100B50-075	1	pcs.	0.27	123	53	103	200
787700	RKP 150/50B50-075	1	pcs.	0.29	153	53	53	200
787701	RKP 150/80B50-075	1	pcs.	0.30	153	53	83	200
787702	RKP 150/100B50-075	1	pcs.	0.30	153	53	103	200
787703	RKP 150/120B50-075	1	pcs.	0.30	153	53	123	200
787704	RKP 200/50B50-075	1	pcs.	0.41	203	53	53	250
787705	RKP 200/80B50-075	1	pcs.	0.42	203	53	83	250
787706	RKP 200/100B50-075	1	pcs.	0.43	203	53	103	250
787707	RKP 200/120B50-075	1	pcs.	0.44	203	53	123	250
787708	RKP 200/150B50-075	1	pcs.	0.45	203	53	153	250
787709	RKP 250/120B50-075	1	pcs.	0.49	253	53	123	250
787710	RKP 250/150B50-075	1	pcs.	0.50	253	53	153	250
787711	RKP 250/200B50-075	1	pcs.	0.52	253	53	203	250
787712	RKP 300/150B50-075	1	pcs.	0.66	303	53	153	300
787713	RKP 300/200B50-075	1	pcs.	0.69	303	53	203	300
787714	RKP 300/250B50-075	1	pcs.	0.71	303	53	253	300
787715	RKP 400/200B50-075	1	pcs.	0.82	403	53	203	300
787716	RKP 400/250B50-075	1	pcs.	0.84	403	53	253	300
787717	RKP 400/300B50-075	1	pcs.	0.87	403	53	303	300
787718	RKP 500/400B50-075	1	pcs.	1.21	503	53	403	350
787719	RKP 600/400B50-075	1	pcs.	1.36	603	53	403	350
787720	RKP 600/500B50-075	1	pcs.	1.42	603	53	503	350

0.75

HORIZONTAL REDUCTION - RIGHT




Application:
Reducing width of cable routes.

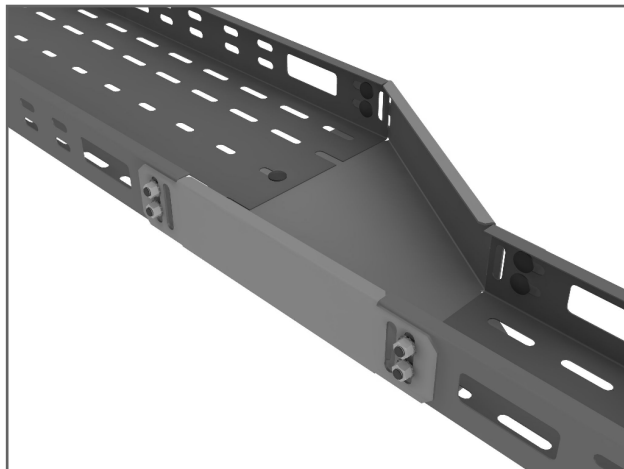
Fitting elements:
Cover PRKP

Material:
Steel galvanized by Sendzimir method (EN 10327)
On request: hot deep galvanized steel (EN ISO 1461),
stainless steel (AISI 304 or AISI 316), aluminum,
powder coating on each of RAL colours.

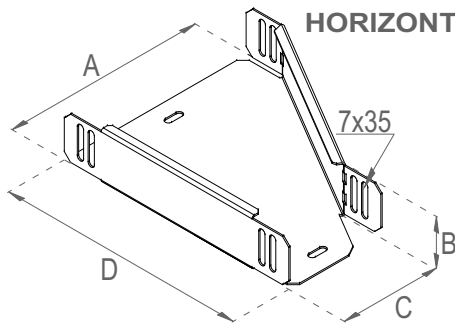
RKP...B50-10

Cat. No.	Symbol		Jm	Weight [kg/pc.]	Dim.			
					A [mm]	B [mm]	C [mm]	D [mm]
787794	RKP 80/50B50-10	1	pcs.	0.29	83	53	53	200
787795	RKP 100/50B50-10	1	pcs.	0.32	103	53	53	200
787796	RKP 100/80B50-10	1	pcs.	0.33	103	53	83	200
787797	RKP 120/50B50-10	1	pcs.	0.35	123	53	53	200
787798	RKP 120/80B50-10	1	pcs.	0.36	123	53	83	200
787799	RKP 120/100B50-10	1	pcs.	0.36	123	53	103	200
787800	RKP 150/50B50-10	1	pcs.	0.39	153	53	53	200
787801	RKP 150/80B50-10	1	pcs.	0.40	153	53	83	200
787802	RKP 150/100B50-10	1	pcs.	0.40	153	53	103	200
787803	RKP 150/120B50-10	1	pcs.	0.41	153	53	123	200
787804	RKP 200/50B50-10	1	pcs.	0.55	203	53	53	250
787805	RKP 200/80B50-10	1	pcs.	0.56	203	53	83	250
787806	RKP 200/100B50-10	1	pcs.	0.57	203	53	103	250
787807	RKP 200/120B50-10	1	pcs.	0.58	203	53	123	250
787808	RKP 200/150B50-10	1	pcs.	0.60	203	53	153	250
787809	RKP 250/120B50-10	1	pcs.	0.66	253	53	123	250
787810	RKP 250/150B50-10	1	pcs.	0.67	253	53	153	250
787811	RKP 250/200B50-10	1	pcs.	0.70	253	53	203	250
787812	RKP 300/150B50-10	1	pcs.	0.88	303	53	153	300
787813	RKP 300/200B50-10	1	pcs.	0.92	303	53	203	300
787814	RKP 300/250B50-10	1	pcs.	0.95	303	53	253	300
787815	RKP 400/200B50-10	1	pcs.	1.09	403	53	203	300
787816	RKP 400/250B50-10	1	pcs.	1.12	403	53	253	300
787817	RKP 400/300B50-10	1	pcs.	1.16	403	53	303	300
787818	RKP 500/400B50-10	1	pcs.	1.62	503	53	403	350
787819	RKP 600/400B50-10	1	pcs.	1.81	603	53	403	350
787820	RKP 600/500B50-10	1	pcs.	1.90	603	53	503	350

1,00



HORIZONTAL REDUCTION - RIGHT



Application:
Reducing width of cable routes.

Fitting elements:
Cover PRKP

Material:
Steel galvanized by Sendzimir method (EN 10327)
On request: hot deep galvanized steel (EN ISO 1461),
stainless steel (AISI 304 or AISI 316), aluminum,
powder coating on each of RAL colours.

B50



RKP...B50-15

Cat. No.	Symbol	Jm	Weight (kg/pc.)	Dim. A [mm]	Dim. B [mm]	Dim. C [mm]	Dim. D [mm]
787987	RKP 80/50B50-15	1	0,44	80	50	50	200
787988	RKP 100/50B50-15	1	0,48	100	50	50	200
787989	RKP 100/80B50-15	1	0,49	100	50	80	200
787900	RKP 120/50B50-15	1	0,52	120	50	50	200
787901	RKP 120/80B50-15	1	0,53	120	50	80	200
787902	RKP 120/100B50-15	1	0,54	120	50	100	200
787903	RKP 150/50B50-15	1	0,58	150	50	50	200
787904	RKP 150/80B50-15	1	0,59	150	50	80	200
787905	RKP 150/100B50-15	1	0,60	150	50	100	200
787906	RKP 150/120B50-15	1	0,61	150	50	120	200
787907	RKP 200/50B50-15	1	0,82	200	50	50	250
787908	RKP 200/80B50-15	1	0,84	200	50	80	250
787909	RKP 200/100B50-15	1	0,86	200	50	100	250
787910	RKP 200/120B50-15	1	0,87	200	50	120	250
787911	RKP 200/150B50-15	1	0,89	200	50	150	250
787912	RKP 250/120B50-15	1	0,99	250	50	120	250
787913	RKP 250/150B50-15	1	1,01	250	50	150	250
787914	RKP 250/200B50-15	1	1,04	250	50	200	250
787915	RKP 300/150B50-15	1	1,32	300	50	150	300
787916	RKP 300/200B50-15	1	1,37	300	50	200	300
787917	RKP 300/250B50-15	1	1,42	300	50	250	300
787918	RKP 400/200B50-15	1	1,63	400	50	200	300
787919	RKP 400/250B50-15	1	1,68	400	50	250	300
787920	RKP 400/300B50-15	1	1,73	400	50	300	300
787921	RKP 500/400B50-15	1	2,43	500	50	400	350
787922	RKP 600/400B50-15	1	2,72	600	50	400	350
787923	RKP 600/500B50-15	1	2,85	600	50	500	350

1,50

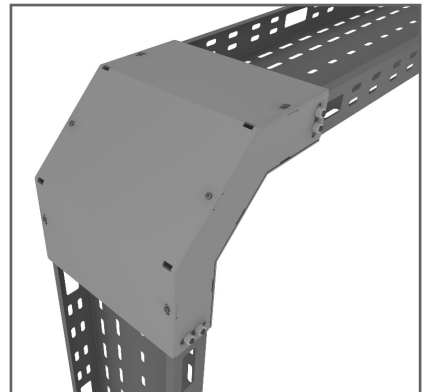
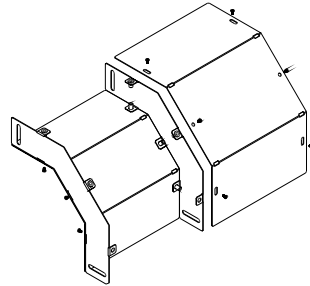
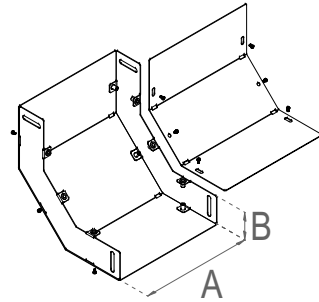
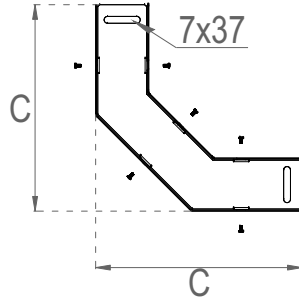
RKP...B50-20

Cat. No.	Symbol	Jm	Weight (kg/pc.)	Dim. A [mm]	Dim. B [mm]	Dim. C [mm]	Dim. D [mm]
788000	RKP 80/50B50-20	1	0,59	80	50	50	200
788001	RKP 100/50B50-20	1	0,64	100	50	50	200
788002	RKP 100/80B50-20	1	0,66	100	50	80	200
788003	RKP 120/50B50-20	1	0,70	120	50	50	200
788004	RKP 120/80B50-20	1	0,71	120	50	80	200
788005	RKP 120/100B50-20	1	0,72	120	50	100	200
788006	RKP 150/50B50-20	1	0,78	150	50	50	200
788007	RKP 150/80B50-20	1	0,79	150	50	80	200
788008	RKP 150/100B50-20	1	0,80	150	50	100	200
788009	RKP 150/120B50-20	1	0,81	150	50	120	200
788010	RKP 200/50B50-20	1	1,10	200	50	50	250
788011	RKP 200/80B50-20	1	1,13	200	50	80	250
788012	RKP 200/100B50-20	1	1,14	200	50	100	250
788013	RKP 200/120B50-20	1	1,16	200	50	120	250
788014	RKP 200/150B50-20	1	1,19	200	50	150	250
788015	RKP 250/120B50-20	1	1,32	250	50	120	250
788016	RKP 250/150B50-20	1	1,34	250	50	150	250
788017	RKP 250/200B50-20	1	1,39	250	50	200	250
788018	RKP 300/150B50-20	1	1,77	300	50	150	300
788019	RKP 300/200B50-20	1	1,83	300	50	200	300
788020	RKP 300/250B50-20	1	1,90	300	50	250	300
788021	RKP 400/200B50-20	1	2,18	400	50	200	300
788022	RKP 400/250B50-20	1	2,25	400	50	250	300
788023	RKP 400/300B50-20	1	2,31	400	50	300	300
788024	RKP 500/400B50-20	1	3,24	500	50	400	350
788025	RKP 600/400B50-20	1	3,63	600	50	400	350
788026	RKP 600/500B50-20	1	3,80	600	50	500	350

2,00

Application:
Vertical change of direction of cable routes.

Material:
Steel galvanized by Sendzimir method (EN 10327)
On request: hot deep galvanized steel (EN ISO 1461),
stainless steel (AISI 304 or AISI 316), aluminum,
powder coating on each of RAL colours.



LZWK ...B50-075

Cat. No.	Symbol	Jm	Weight [kg/pc]	Dim. [mm]		
				A	B	C
785256	LZWK 50B50-075	1 pcs.	0,51	53	53	211
785257	LZWK 80B50-075	1 pcs.	0,65	83	53	211
785258	LZWK 100B50-075	1 pcs.	0,74	103	53	211
785259	LZWK 120B50-075	1 pcs.	0,82	123	53	211
785260	LZWK 150B50-075	1 pcs.	0,96	153	53	211
785261	LZWK 200B50-075	1 pcs.	1,18	203	53	211
785262	LZWK 250B50-075	1 pcs.	1,40	253	53	211
785263	LZWK 300B50-075	1 pcs.	1,62	303	53	211
785264	LZWK 400B50-075	1 pcs.	2,06	403	53	211
785265	LZWK 500B50-075	1 pcs.	2,51	503	53	211
785266	LZWK 600B50-075	1 pcs.	2,95	603	53	211

0,75

LZWK ...B50-10

Cat. No.	Symbol	Jm	Weight [kg/pc]	Dim. [mm]		
				A	B	C
785306	LZWK 50B50-10	1 pcs.	0,68	53	53	211
785307	LZWK 80B50-10	1 pcs.	0,86	83	53	211
785308	LZWK 100B50-10	1 pcs.	0,98	103	53	211
785309	LZWK 120B50-10	1 pcs.	1,10	123	53	211
785310	LZWK 150B50-10	1 pcs.	1,28	153	53	211
785311	LZWK 200B50-10	1 pcs.	1,57	203	53	211
785312	LZWK 250B50-10	1 pcs.	1,87	253	53	211
785313	LZWK 300B50-10	1 pcs.	2,16	303	53	211
785314	LZWK 400B50-10	1 pcs.	2,75	403	53	211
785315	LZWK 500B50-10	1 pcs.	3,34	503	53	211
785316	LZWK 600B50-10	1 pcs.	3,93	603	53	211

1,00

LZWK ...B50-15

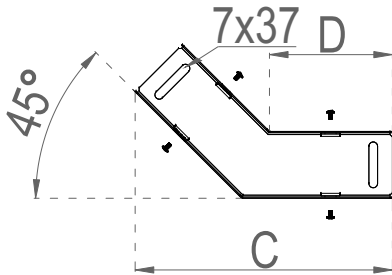
Cat. No.	Symbol	Jm	Weight [kg/pc]	Dim. [mm]		
				A	B	C
785356	LZWK 50B50-15	1 pcs.	1,03	50	50	211
785357	LZWK 80B50-15	1 pcs.	1,29	80	50	211
785358	LZWK 100B50-15	1 pcs.	1,47	100	50	211
785359	LZWK 120B50-15	1 pcs.	1,65	120	50	211
785360	LZWK 150B50-15	1 pcs.	1,91	150	50	211
785361	LZWK 200B50-15	1 pcs.	2,36	200	50	211
785362	LZWK 250B50-15	1 pcs.	2,80	250	50	211
785363	LZK 300B50-15	1 pcs.	3,24	300	50	211
785364	LZK 400B50-15	1 pcs.	4,13	400	50	211
785365	LZK 500B50-15	1 pcs.	5,01	500	50	211
785366	LZK 600B50-15	1 pcs.	5,90	600	50	211

1,50

LZWK ...B50-15

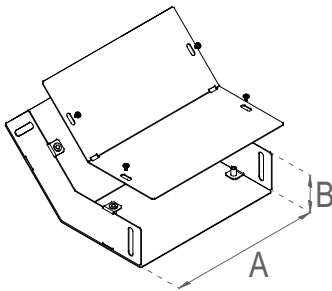
Cat. No.	Symbol	Jm	Weight [kg/pc]	Dim. [mm]		
				A	B	C
787108	LZWK 50B50-20	1 pcs.	1,37	54	50	211
787109	LZWK 80B50-20	1 pcs.	1,72	84	50	211
787110	LZWK 100B50-20	1 pcs.	1,96	104	50	211
787111	LZWK 120B50-20	1 pcs.	2,20	124	50	211
787112	LZWK 150B50-20	1 pcs.	2,55	154	50	211
787113	LZWK 200B50-20	1 pcs.	3,14	204	50	211
787114	LZWK 250B50-20	1 pcs.	3,73	254	50	211
787115	LZWK 300B50-20	1 pcs.	4,32	304	50	211
787116	LZWK 400B50-20	1 pcs.	5,50	404	50	211
787117	LZWK 500B50-20	1 pcs.	6,68	504	50	211
787118	LZWK 600B50-20	1 pcs.	7,86	604	50	211

2,00



Application:
Vertical change of direction of cable routes.

Material:
Steel galvanized by Sendzimir method (EN 10327)
On request: hot deep galvanized steel (EN ISO 1461), stainless steel (AISI 304 or AISI 316), aluminum, powder coating on each of RAL colours.



LZWK45 ... B50-10

Cat. No.	Symbol	Jm	Weight [kg/pc.]	Dim. [mm]			
				A	B	C	D
788420	LZWK45 50B50-10	1 pcs.	0,42	53	53	206	100
788421	LZWK45 80B50-10	1 pcs.	0,51	83	53	206	100
788422	LZWK45 100B50-10	1 pcs.	0,58	103	53	206	100
788423	LZWK45 120B50-10	1 pcs.	0,65	123	53	206	100
788424	LZWK45 150B50-10	1 pcs.	0,74	153	53	206	100
788425	LZWK45 200B50-10	1 pcs.	0,91	203	53	206	100
788426	LZWK45 250B50-10	1 pcs.	1,07	253	53	206	100
788427	LZWK45 300B50-10	1 pcs.	1,24	303	53	206	100
788428	LZWK45 400B50-10	1 pcs.	1,57	403	53	206	100
788429	LZWK45 500B50-10	1 pcs.	1,90	503	53	206	100
788430	LZWK45 600B50-10	1 pcs.	2,23	603	53	206	100

LZWK45 ... B50-15

Cat. No.	Symbol	Jm	Weight [kg/pc.]	Dim. [mm]			
				A	B	C	D
788468	LZWK45 50B50-15	1 pcs.	0,62	50	50	206	100
788469	LZWK45 80B50-15	1 pcs.	0,77	80	50	206	100
788470	LZWK45 100B50-15	1 pcs.	0,87	100	50	206	100
788471	LZWK45 120B50-15	1 pcs.	0,97	120	50	206	100
788472	LZWK45 150B50-15	1 pcs.	1,12	150	50	206	100
788473	LZWK45 200B50-15	1 pcs.	1,36	200	50	206	100
788474	LZWK45 250B50-15	1 pcs.	1,61	250	50	206	100
788475	LZWK45 300B50-15	1 pcs.	1,86	300	50	206	100
788476	LZWK45 400B50-15	1 pcs.	2,35	400	50	206	100
788477	LZWK45 500B50-15	1 pcs.	2,85	500	50	206	100
788478	LZWK45 600B50-15	1 pcs.	3,34	600	50	206	100

LZWK45 ... B50-20

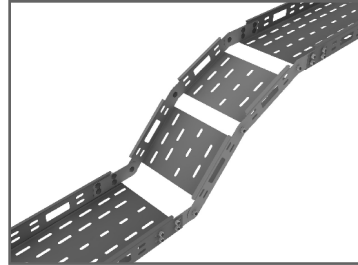
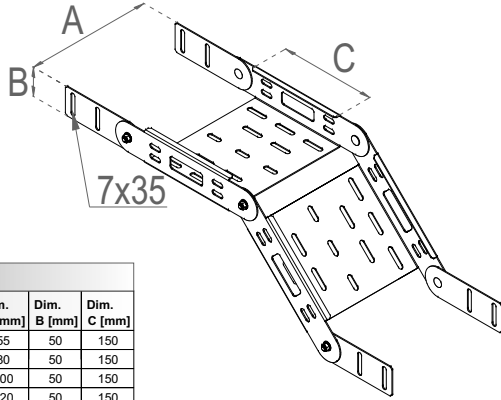
Cat. No.	Symbol	Jm	Weight [kg/pc.]	Dim. [mm]			
				A	B	C	D
788516	LWK45 50B50-20	1 pcs.	0,83	50	50	206	100
788517	LWK45 80B50-20	1 pcs.	1,03	80	50	206	100
788518	LWK45 100B50-20	1 pcs.	1,16	100	50	206	100
788519	LWK45 120B50-20	1 pcs.	1,29	120	50	206	100
788520	LWK45 150B50-20	1 pcs.	1,49	150	50	206	100
788521	LWK45 200B50-20	1 pcs.	1,82	200	50	206	100
788522	LWK45 250B50-20	1 pcs.	2,15	250	50	206	100
788523	LWK45 300B50-20	1 pcs.	2,48	300	50	206	100
788524	LWK45 400B50-20	1 pcs.	3,14	400	50	206	100
788525	LWK45 500B50-20	1 pcs.	3,80	500	50	206	100
788526	LWK45 600B50-20	1 pcs.	4,46	600	50	206	100

ADJUSTABLE VERTICAL BEND

Application:
Vertical change of direction of cable routes.

Fitting elements:
Cover PK

Material:
Steel galvanized by Sendzimir method (EN 10327)
On request: hot deep galvanized steel (EN ISO 1461),
stainless steel (AISI 304 or AISI 316), aluminum,
powder coating on each of RAL colours.



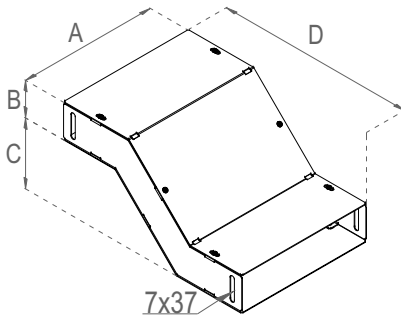
LUP...B50-075								
0,75	Cat. No.	Symbol		Jm	Weight [kg/pc.]	Dim. A [mm]	Dim. B [mm]	Dim. C [mm]
	788814	LUP 50B50-075	1	pcs.	0,61	55	50	150
	788815	LUP 80B50-075	1	pcs.	0,65	80	50	150
	788816	LUP 100B50-075	1	pcs.	0,68	100	50	150
	788817	LUP 120B50-075	1	pcs.	0,71	120	50	150
	788818	LUP 150B50-075	1	pcs.	0,76	150	50	150
	788819	LUP 200B50-075	1	pcs.	0,84	200	50	150
	788820	LUP 250B50-075	1	pcs.	0,92	250	50	150
	788821	LUP 300B50-075	1	pcs.	1,00	300	50	150

LUP...B50-10								
1,00	Cat. No.	Symbol		Jm	Weight [kg/pc.]	Dim. A [mm]	Dim. B [mm]	Dim. C [mm]
	788852	LUP 50B50-10	1	pcs.	0,81	55	50	150
	788853	LUP 80B50-10	1	pcs.	0,86	80	50	150
	788854	LUP 100B50-10	1	pcs.	0,91	100	50	150
	788855	LUP 120B50-10	1	pcs.	0,95	120	50	150
	788856	LUP 150B50-10	1	pcs.	1,02	150	50	150
	788857	LUP 200B50-10	1	pcs.	1,12	200	50	150
	788858	LUP 250B50-10	1	pcs.	1,23	250	50	150
	788859	LUP 300B50-10	1	pcs.	1,34	300	50	150
	788860	LUP 400B50-10	1	pcs.	1,56	400	50	150
	788861	LUP 500B50-10	1	pcs.	1,77	500	50	150
	788862	LUP 600B50-10	1	pcs.	1,99	600	50	150

LUP...B50-15								
1,50	Cat. No.	Symbol		Jm	Weight [kg/pc.]	Dim. A [mm]	Dim. B [mm]	Dim. C [mm]
	788900	LUP 50B50-15	1	pcs.	1,22	55	50	150
	788901	LUP 80B50-15	1	pcs.	1,30	80	50	150
	788902	LUP 100B50-15	1	pcs.	1,36	100	50	150
	788903	LUP 120B50-15	1	pcs.	1,43	120	50	150
	788904	LUP 150B50-15	1	pcs.	1,52	150	50	150
	788905	LUP 200B50-15	1	pcs.	1,68	200	50	150
	788906	LUP 250B50-15	1	pcs.	1,85	250	50	150
	788907	LUP 300B50-15	1	pcs.	2,01	300	50	150
	788908	LUP 400B50-15	1	pcs.	2,33	400	50	150
	788909	LUP 500B50-15	1	pcs.	2,66	500	50	150
	788910	LUP 600B50-15	1	pcs.	2,98	600	50	150

LUP...B50-20								
2,00	Cat. No.	Symbol		Jm	Weight [kg/pc.]	Dim. A [mm]	Dim. B [mm]	Dim. C [mm]
	788948	LUP 50B50-20	1	pcs.	1,62	55	50	150
	788949	LUP 80B50-20	1	pcs.	1,73	80	50	150
	788950	LUP 100B50-20	1	pcs.	1,81	100	50	150
	788951	LUP 120B50-20	1	pcs.	1,90	120	50	150
	788952	LUP 150B50-20	1	pcs.	2,03	150	50	150
	788953	LUP 200B50-20	1	pcs.	2,25	200	50	150
	788954	LUP 250B50-20	1	pcs.	2,46	250	50	150
	788955	LUP 300B50-20	1	pcs.	2,68	300	50	150
	788956	LUP 400B50-20	1	pcs.	3,11	400	50	150
	788957	LUP 500B50-20	1	pcs.	3,54	500	50	150
788958	LUP 600B50-20	1	pcs.	3,97	600	50	150	

B50



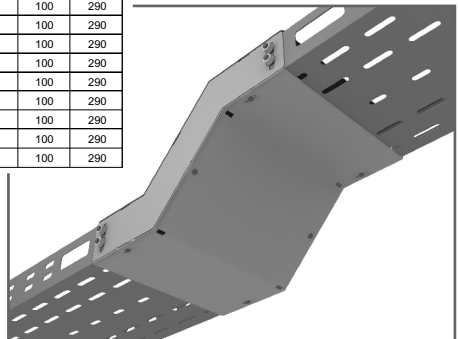
Application:
Vertical change of direction of cable routes.

Material:
Steel galvanized by Sendzimir method (EN 10327)
On request: hot deep galvanized steel (EN ISO 1461),
stainless steel (AISI 304 or AISI 316), aluminum,
powder coating on each of RAL colours.

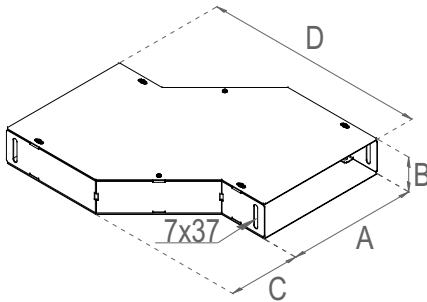
OBV ... B50-10									
1,00	Cat. No.	Symbol		Jm	Weight [kg/pc.]	Dim. A [mm]	Dim. B [mm]	Dim. C [mm]	Dim. D [mm]
	789332	OBV 50B50-10	1	pcs.	0,42	53	53	100	300
	789333	OBV 80B50-10	1	pcs.	0,50	83	53	100	300
	789334	OBV 100B50-10	1	pcs.	0,56	103	53	100	300
	789335	OBV 120B50-10	1	pcs.	0,62	123	53	100	300
	789336	OBV 150B50-10	1	pcs.	0,70	153	53	100	300
	789337	OBV 200B50-10	1	pcs.	0,84	203	53	100	300
	789338	OBV 250B50-10	1	pcs.	0,98	253	53	100	300
	789339	OBV 300B50-10	1	pcs.	1,12	303	53	100	300
	789340	OBV 400B50-10	1	pcs.	1,40	403	53	100	300
789341	OBV 500B50-10	1	pcs.	1,68	503	53	100	300	
789342	OBV 600B50-10	1	pcs.	1,96	603	53	100	300	

OBV ... B50-15									
1,50	Cat. No.	Symbol		Jm	Weight [kg/pc.]	Dim. A [mm]	Dim. B [mm]	Dim. C [mm]	Dim. D [mm]
	789380	OBV 50B50-15	1	pcs.	0,63	50	50	100	290
	789381	OBV 80B50-15	1	pcs.	0,76	80	50	100	290
	789382	OBV 100B50-15	1	pcs.	0,84	100	50	100	290
	789383	OBV 120B50-15	1	pcs.	0,92	120	50	100	290
	789384	OBV 150B50-15	1	pcs.	1,05	150	50	100	290
	789385	OBV 200B50-15	1	pcs.	1,26	200	50	100	290
	789386	OBV 250B50-15	1	pcs.	1,47	250	50	100	290
	789387	OBV 300B50-15	1	pcs.	1,68	300	50	100	290
	789388	OBV 400B50-15	1	pcs.	2,10	400	50	100	290
789389	OBV 500B50-15	1	pcs.	2,52	500	50	100	290	
789390	OBV 600B50-15	1	pcs.	2,94	600	50	100	290	

OBV ... B50-20									
2,00	Cat. No.	Symbol		Jm	Weight [kg/pc.]	Dim. A [mm]	Dim. B [mm]	Dim. C [mm]	Dim. D [mm]
	789428	OBV 50B50-20	1	pcs.	0,84	50	50	100	290
	789429	OBV 80B50-20	1	pcs.	1,01	80	50	100	290
	789430	OBV 100B50-20	1	pcs.	1,12	100	50	100	290
	789431	OBV 120B50-20	1	pcs.	1,23	120	50	100	290
	789432	OBV 150B50-20	1	pcs.	1,40	150	50	100	290
	789433	OBV 200B50-20	1	pcs.	1,68	200	50	100	290
	789434	OBV 250B50-20	1	pcs.	1,96	250	50	100	290
	789435	OBV 300B50-20	1	pcs.	2,24	300	50	100	290
	789436	OBV 400B50-20	1	pcs.	2,80	400	50	100	290
789437	OBV 500B50-20	1	pcs.	3,36	500	50	100	290	
789438	OBV 600B50-20	1	pcs.	3,92	600	50	100	290	



HORIZONTAL BY-PASS



Application:
Horizontal change of direction of cable routes.

Material:
Steel galvanized by Sendzimir method (EN 10327)
On request: hot deep galvanized steel (EN ISO 1461),
stainless steel (AISI 304 or AISI 316), aluminum,
powder coating on each of RAL colours.

OBH ...B50-10

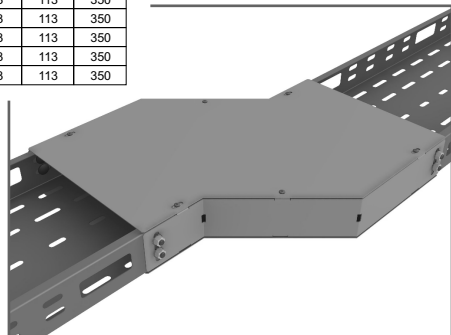
1,00	Cat. No.	Symbol		Jm	Weight [kg/pc.]	Dim. A [mm]	Dim. B [mm]	Dim. C [mm]	Dim. D [mm]
	788671	OBH 50B50-10	1	pcs.	0,61	53	53	113	350
	788672	OBH 80B50-10	1	pcs.	0,79	83	53	113	350
	788673	OBH 100B50-10	1	pcs.	0,91	103	53	113	350
	788674	OBH 120B50-10	1	pcs.	1,03	123	53	113	350
	788675	OBH 150B50-10	1	pcs.	1,22	153	53	113	350
	788676	OBH 200B50-10	1	pcs.	1,52	203	53	113	350
	788677	OBH 250B50-10	1	pcs.	1,82	253	53	113	350
	788678	OBH 300B50-10	1	pcs.	2,13	303	53	113	350
	788679	OBH 400B50-10	1	pcs.	2,74	403	53	113	350
788680	OBH 500B50-10	1	pcs.	3,34	503	53	113	350	
788681	OBH 600B50-10	1	pcs.	3,95	603	53	113	350	

OBH ...B50-15

1,50	Cat. No.	Symbol		Jm	Weight [kg/pc.]	Dim. A [mm]	Dim. B [mm]	Dim. C [mm]	Dim. D [mm]
	788719	OBH 50B50-15	1	pcs.	0,91	53	53	113	350
	788720	OBH 80B50-15	1	pcs.	1,19	83	53	113	350
	788721	OBH 100B50-15	1	pcs.	1,37	103	53	113	350
	788722	OBH 120B50-15	1	pcs.	1,55	123	53	113	350
	788723	OBH 150B50-15	1	pcs.	1,82	153	53	113	350
	788724	OBH 200B50-15	1	pcs.	2,28	203	53	113	350
	788725	OBH 250B50-15	1	pcs.	2,74	253	53	113	350
	788726	OBH 300B50-15	1	pcs.	3,19	303	53	113	350
	788727	OBH 400B50-15	1	pcs.	4,10	403	53	113	350
788728	OBH 500B50-15	1	pcs.	5,02	503	53	113	350	
788729	OBH 600B50-15	1	pcs.	5,93	603	53	113	350	

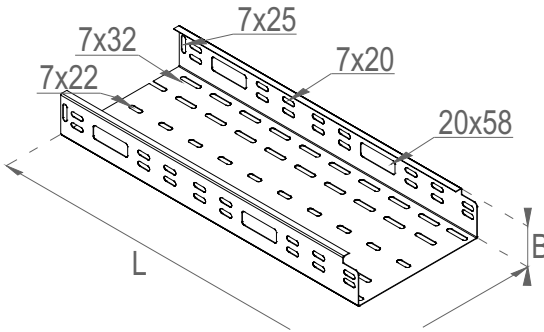
OBH ...B50-20

2,00	Cat. No.	Symbol		Jm	Weight [kg/pc.]	Dim. A [mm]	Dim. B [mm]	Dim. C [mm]	Dim. D [mm]
	788767	OBH 50B50-20	1	pcs.	1,22	53	53	113	350
	788768	OBH 80B50-20	1	pcs.	1,58	83	53	113	350
	788769	OBH 100B50-20	1	pcs.	1,82	103	53	113	350
	788770	OBH 120B50-20	1	pcs.	2,07	123	53	113	350
	788771	OBH 150B50-20	1	pcs.	2,43	153	53	113	350
	788772	OBH 200B50-20	1	pcs.	3,04	203	53	113	350
	788773	OBH 250B50-20	1	pcs.	3,65	253	53	113	350
	788774	OBH 300B50-20	1	pcs.	4,26	303	53	113	350
	788775	OBH 400B50-20	1	pcs.	5,47	403	53	113	350
788776	OBH 500B50-20	1	pcs.	6,69	503	53	113	350	
788777	OBH 600B50-20	1	pcs.	7,90	603	53	113	350	



NOTES

PERFORATED TRAY



Application:
Cable routing
Connectorfree assembly
For assembly use 4 sets of SGNKK M6x10.

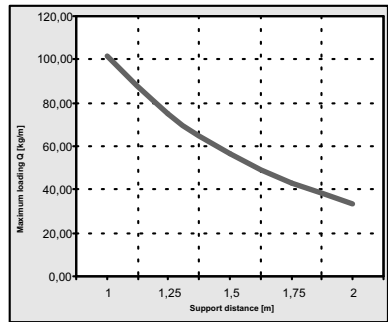
Fitting elements:
Covers PK i PKZM, connectors LKBZ, LKK, LPK, LUK, partition PDK.

Material:
Steel galvanized by Sendzimir method (EN 10327)
On request: hot deep galvanized steel (EN ISO 1461), stainless steel (AISI 304 or AISI 316), aluminum, powder coating on each of RAL colours.

KP...B60...

Cat. No.	Symbol	Jm	Weight [kg/m]	Dim.		Dim. L [mm]
				A [mm]	B [mm]	
786531	KP 80B60-055	20	0,85	80	60	2000
786532	KP 100B60-055	20	0,93	100	60	2000
786533	KP 120B60-055	20	1,01	120	60	2000
786534	KP 150B60-055	20	1,13	150	60	2000
786535	KP 200B60-055	20	1,33	200	60	2000
786536	KP 250B60-055	20	1,54	250	60	2000
786537	KP 300B60-055	20	1,92	300	60	2000

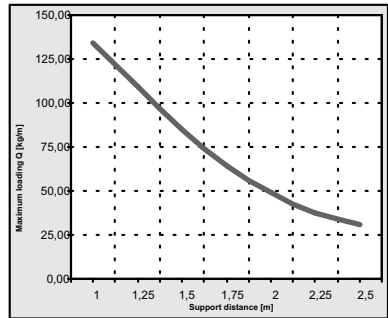
0,55



KP...B60...

Cat. No.	Symbol	Jm	Weight [kg/m]	Dim.		Dim. L [mm]
				A [mm]	B [mm]	
783809	KP 80B60-075	30	1,16	80	60	3000
783810	KP 100B60-075	30	1,26	100	60	3000
783811	KP 120B60-075	30	1,37	120	60	3000
783812	KP 150B60-075	30	1,53	150	60	3000
783813	KP 200B60-075	24	1,80	200	60	3000
783814	KP 250B60-075	24	2,10	250	60	3000
783815	KP 300B60-075	18	2,40	300	60	3000
783816	KP 400B60-075	12	3,01	400	60	3000
783817	KP 500B60-075	12	3,61	500	60	3000
783818	KP 600B60-075	12	4,27	600	60	3000

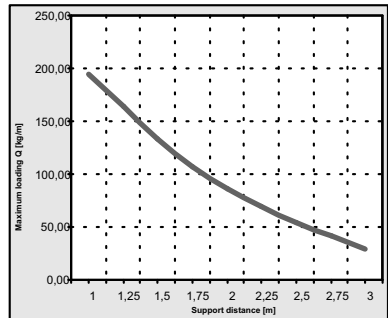
0,75

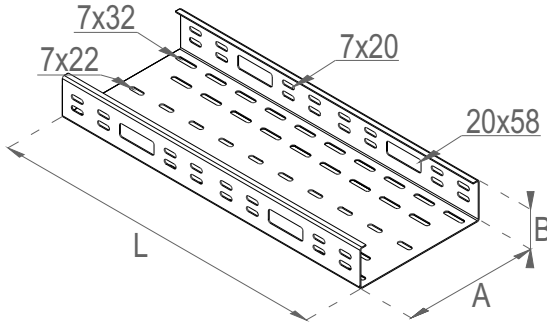


KP...B60...

Cat. No.	Symbol	Jm	Weight [kg/m]	Dim.		Dim. L [mm]
				A [mm]	B [mm]	
783858	KP 80B60-10	30	1,53	80	60	3000
783859	KP 100B60-10	30	1,67	100	60	3000
783860	KP 120B60-10	30	1,81	120	60	3000
783861	KP 150B60-10	30	2,03	150	60	3000
783862	KP 200B60-10	24	2,39	200	60	3000
783863	KP 250B60-10	24	2,78	250	60	3000
783864	KP 300B60-10	18	3,18	300	60	3000
783865	KP 400B60-10	12	4,00	400	60	3000
783866	KP 500B60-10	12	4,80	500	60	3000
783867	KP 600B60-10	12	5,68	600	60	3000

1,00

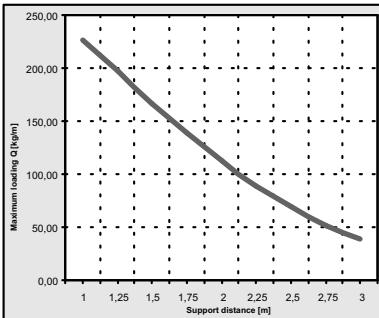




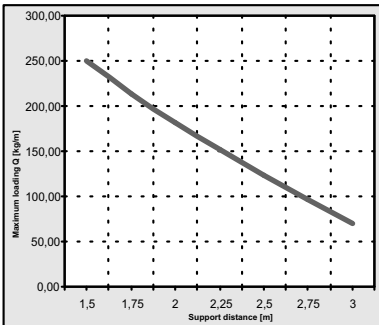
Application:
Cable routing

Fitting elements:
Covers PK i PKZM, connectors LKBZ, LKK, LPK, LUK
partition PDK.

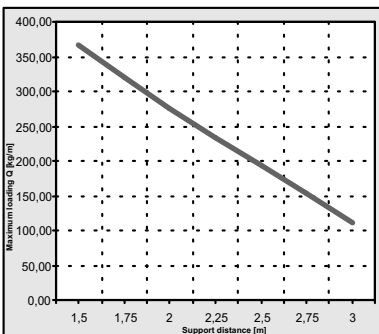
Material:
Steel galvanized by Sendzimir method (EN 10327)
On request: hot deep galvanized steel (EN ISO 1461),
stainless steel (AISI 304 or AISI 316), aluminum,
powder coating on each of RAL colours.



KP...B60-12							
Cat. No.	Symbol		Jm	Weight [kg/m]	Dim. A [mm]	Dim. B [mm]	Dim. L [mm]
789706	KP 80B60-12	3	mb	1,82	80	60	3000
789707	KP 100B60-12	3	mb	1,99	100	60	3000
789708	KP 120B60-12	3	mb	2,16	120	60	3000
789709	KP 150B60-12	3	mb	2,42	150	60	3000
789710	KP 200B60-12	3	mb	2,85	200	60	3000
789711	KP 250B60-12	3	mb	3,32	250	60	3000
789712	KP 300B60-12	3	mb	3,80	300	60	3000
789713	KP 400B60-12	3	mb	4,79	400	60	3000
789714	KP 500B60-12	3	mb	5,75	500	60	3000
789715	KP 600B60-12	3	mb	6,80	600	60	3000

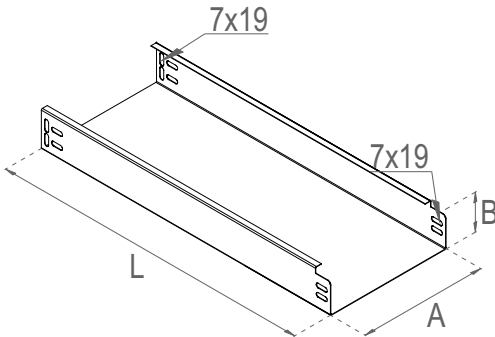


KP...B60-15							
Cat. No.	Symbol		Jm	Weight [kg/m]	Dim. A [mm]	Dim. B [mm]	Dim. L [mm]
783904	KP 80B60-15	3	mb	2,25	80	60	3000
783905	KP 100B60-15	3	mb	2,46	100	60	3000
783906	KP 120B60-15	3	mb	2,68	120	60	3000
783907	KP 150B60-15	3	mb	3,00	150	60	3000
783908	KP 200B60-15	3	mb	3,54	200	60	3000
783909	KP 250B60-15	3	mb	4,13	250	60	3000
783910	KP 300B60-15	3	mb	4,73	300	60	3000
783911	KP 400B60-15	3	mb	5,96	400	60	3000
783912	KP 500B60-15	3	mb	7,16	500	60	3000
783913	KP 600B60-15	3	mb	8,47	600	60	3000



KP...B60-20							
Cat. No.	Symbol		Jm	Weight [kg/m]	Dim. A [mm]	Dim. B [mm]	Dim. L [mm]
786699	KP 80B60-20	3	mb	2,94	80	60	3000
786700	KP 100B60-20	3	mb	3,23	100	60	3000
786701	KP 120B60-20	3	mb	3,51	120	60	3000
786702	KP 150B60-20	3	mb	3,95	150	60	3000
786703	KP 200B60-20	3	mb	4,67	200	60	3000
786704	KP 250B60-20	3	mb	5,45	250	60	3000
786705	KP 300B60-20	3	mb	6,24	300	60	3000
786706	KP 400B60-20	3	mb	7,88	400	60	3000
786707	KP 500B60-20	3	mb	9,48	500	60	3000
786708	KP 600B60-20	3	mb	11,24	600	60	3000

TRAY WITHOUT PERFORATION



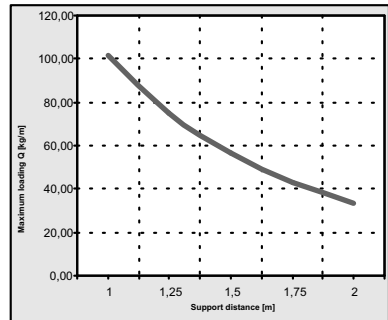
Application:
Cable routing
Connectorfree assembly
For assembly use 4 sets of SGNKK M6x10.

Fitting elements:
Covers PK i PKZM, connectors LKBZ, LKK, LPK, LUK, partition PDK.

Material:
Steel galvanized by Sendzimir method (EN 10327)
On request: hot deep galvanized steel (EN ISO 1461), stainless steel (AISI 304 or AISI 316), aluminum, powder coating on each of RAL colours.

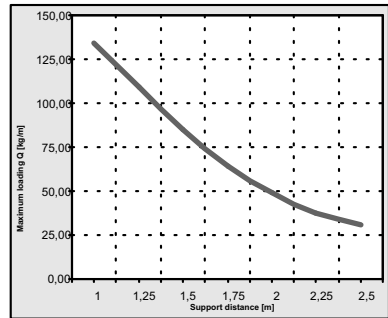
KB...B60-055

0,55	Cat. No.	Symbol		Jm	Weight [kg/m]	Dim. A [mm]	Dim. B [mm]	Dim. L [mm]
	786546	KB 80B60-055	20	mb	0,95	80	60	2000
	786547	KB 100B60-055	20	mb	1,04	100	60	2000
	786548	KB 120B60-055	20	mb	1,12	120	60	2000
	786549	KB 150B60-055	20	mb	1,26	150	60	2000
	786550	KB 200B60-055	20	mb	1,48	200	60	2000
	786551	KB 250B60-055	20	mb	1,70	250	60	2000
	786552	KB 300B60-055	20	mb	1,92	300	60	2000



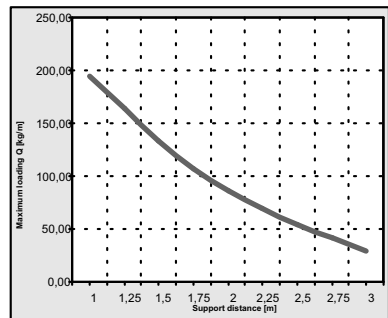
KB...B60-075

0,75	Cat. No.	Symbol		Jm	Weight [kg/m]	Dim. A [mm]	Dim. B [mm]	Dim. L [mm]
	783977	KB 80B60-075	30	mb	1,28	80	60	3000
	783978	KB 100B60-075	30	mb	1,40	100	60	3000
	783979	KB 120B60-075	30	mb	1,52	120	60	3000
	783980	KB 150B60-075	30	mb	1,70	150	60	3000
	783981	KB 200B60-075	24	mb	2,00	200	60	3000
	783982	KB 250B60-075	24	mb	2,30	250	60	3000
	783983	KB 300B60-075	18	mb	2,60	300	60	3000
	783984	KB 400B60-075	12	mb	3,20	400	60	3000
	783985	KB 500B60-075	12	mb	3,80	500	60	3000
	783986	KB 600B60-075	12	mb	4,40	600	60	3000

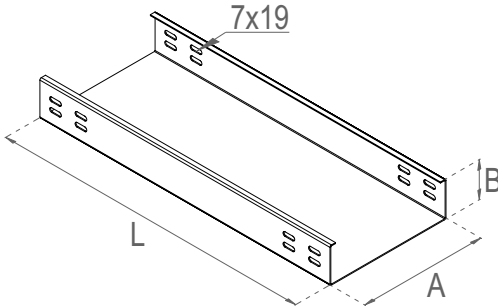


KB...B60-10

1,00	Cat. No.	Symbol		Jm	Weight [kg/m]	Dim. A [mm]	Dim. B [mm]	Dim. L [mm]
	784026	KB 80B60-10	30	mb	1,70	80	60	3000
	784027	KB 100B60-10	30	mb	1,86	100	60	3000
	784028	KB 120B60-10	30	mb	2,02	120	60	3000
	784029	KB 150B60-10	30	mb	2,26	150	60	3000
	784030	KB 200B60-10	24	mb	2,66	200	60	3000
	784031	KB 250B60-10	24	mb	3,06	250	60	3000
	784032	KB 300B60-10	18	mb	3,46	300	60	3000
	784033	KB 400B60-10	12	mb	4,26	400	60	3000
	784034	KB 500B60-10	12	mb	5,06	500	60	3000
	784035	KB 600B60-10	12	mb	5,86	600	60	3000



TRAY WITHOUT PERFORATION



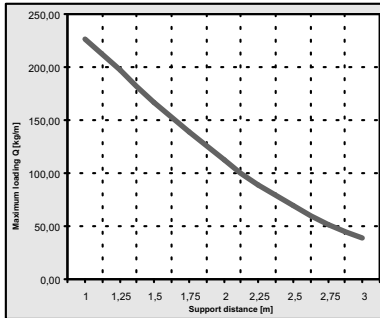
B60



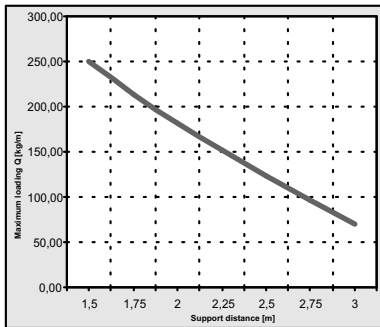
Application:
Cable routing

Fitting elements:
Covers PK i PKZM, connectors LKBZ, LKK, LPK, LUK, partition PDK.

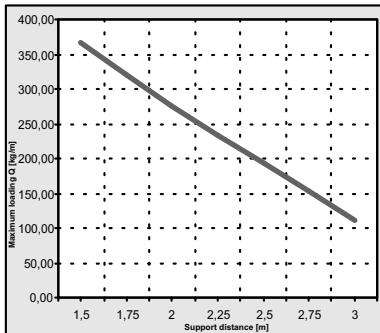
Material:
Steel galvanized by Sendzimir method (EN 10327)
On request: hot deep galvanized steel (EN ISO 1461), stainless steel (AISI 304 or AISI 316), aluminum, powder coating on each of RAL colours.



KB...B60-12							
Cat. No.	Symbol	Jm	Jm	Weight [kg/m]	Dim. A [mm]	Dim. B [mm]	Dim. L [mm]
789752	KB 80B60-12	3	mb	2,02	80	60	3000
789753	KB 100B60-12	3	mb	2,21	100	60	3000
789754	KB 120B60-12	3	mb	2,40	120	60	3000
789755	KB 150B60-12	3	mb	2,69	150	60	3000
789756	KB 200B60-12	3	mb	3,17	200	60	3000
789757	KB 250B60-12	3	mb	3,65	250	60	3000
789758	KB 300B60-12	3	mb	4,13	300	60	3000
789759	KB 400B60-12	3	mb	5,09	400	60	3000
789760	KB 500B60-12	3	mb	6,05	500	60	3000
789761	KB 600B60-12	3	mb	7,01	600	60	3000

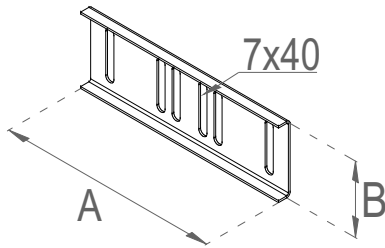


KB...B60-15							
Cat. No.	Symbol	Jm	Jm	Weight [kg/m]	Dim. A [mm]	Dim. B [mm]	Dim. L [mm]
784075	KB 80B60-15	3	mb	2,50	80	60	3000
784076	KB 100B60-15	3	mb	2,74	100	60	3000
784077	KB 120B60-15	3	mb	2,98	120	60	3000
784078	KB 150B60-15	3	mb	3,34	150	60	3000
784079	KB 200B60-15	3	mb	3,94	200	60	3000
784080	KB 250B60-15	3	mb	4,54	250	60	3000
784081	KB 300B60-15	3	mb	5,14	300	60	3000
784082	KB 400B60-15	3	mb	6,34	400	60	3000
784083	KB 500B60-15	3	mb	7,54	500	60	3000
784084	KB 600B60-15	3	mb	8,74	600	60	3000



KB...B60-20							
Cat. No.	Symbol	Jm	Jm	Weight [kg/m]	Dim. A [mm]	Dim. B [mm]	Dim. L [mm]
786653	KB 80B60-20	3	mb	3,26	80	60	3000
786654	KB 100B60-20	3	mb	3,58	100	60	3000
786655	KB 120B60-20	3	mb	3,90	120	60	3000
786656	KB 150B60-20	3	mb	4,38	150	60	3000
786657	KB 200B60-20	3	mb	5,18	200	60	3000
786658	KB 250B60-20	3	mb	5,98	250	60	3000
786659	KB 300B60-20	3	mb	6,78	300	60	3000
786660	KB 400B60-20	3	mb	8,38	400	60	3000
786661	KB 500B60-20	3	mb	9,98	500	60	3000
786662	KB 600B60-20	3	mb	11,58	600	60	3000

TRAY CONNECTOR

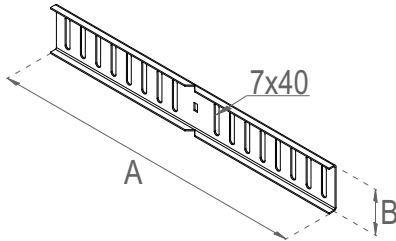


Application:
Connecting cable trays.
Suitable for trays: KP, KB.
For assembly use 4 sets of SGNKK M6x10.

Material:
Steel galvanized by Sendzimir method (EN 10327)
On request: hot deep galvanized steel (EN ISO 1461),
stainless steel (AISI 304 or AISI 316), aluminum,
powder coating on each of RAL colours.

LKBZ B60						
Cat. No.	Symbol	Jm	Weight [kg/pc.]	Dim. A [mm]	Dim. B [mm]	
785402	LKBZ B60	60 pcs.	0,10	170	57	

ANGULAR TRAY CONNECTOR

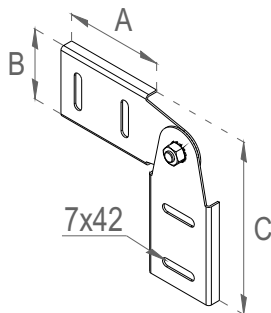


Application:
Horizontal angle connection.
Suitable for trays: KP, KB.
For assembly use 4 sets of SGNKK M6x10.

Material:
Steel galvanized by Sendzimir method (EN 10327)
On request: hot deep galvanized steel (EN ISO 1461),
stainless steel (AISI 304 or AISI 316), aluminum,
powder coating on each of RAL colours.

LKK B60						
Cat. No.	Symbol	Jm	Weight [kg/pc.]	Dim. A [mm]	Dim. B [mm]	
786497	LKK B60	1 pcs.	0,10	400	57	

ADJUSTABLE TRAY CONNECTOR

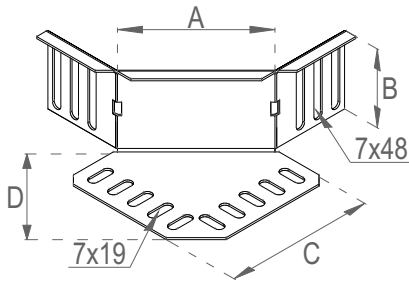


Application:
Vertical angle connection.
Suitable for trays: KP, KB.
For assembly use 4 sets of SGNKK M6x10.

Material:
Steel galvanized by Sendzimir method (EN 10327)
On request: hot deep galvanized steel (EN ISO 1461),
stainless steel (AISI 304 or AISI 316), aluminum,
powder coating on each of RAL colours.

LPK B60							
Cat. No.	Symbol	Jm	Weight [kg/pc.]	Dim. A [mm]	Dim. B [mm]	Dim. C [mm]	
785407	LPK B60	1 pcs.	0,19	80	57	140	

B60

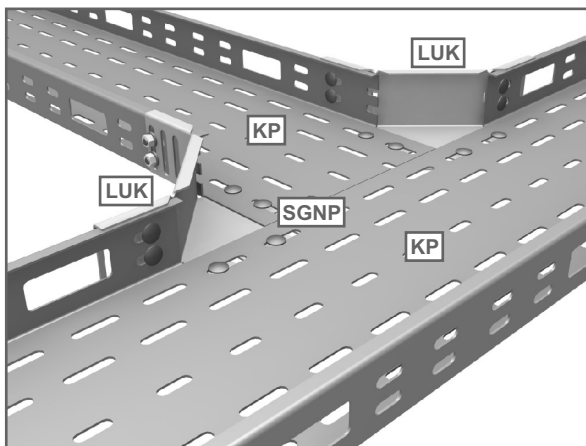
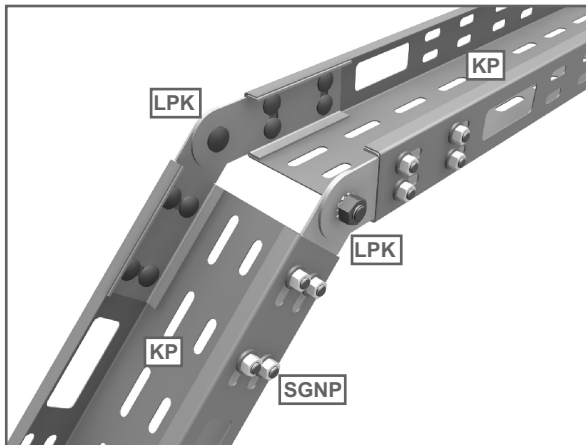


Application:
 Branching out cable tray.
 Suitable for trays: KP, KPZ, KB, KBZ.
 For assembly use 8 sets of SGNKK M6x10.

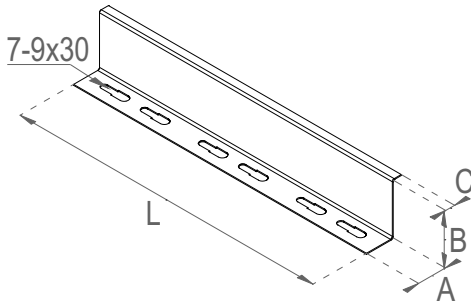
Material:
 Steel galvanized by Sendzimir method (EN 10327)
 On request: hot deep galvanized steel (EN ISO 1461),
 stainless steel (AISI 304 or AISI 316), aluminum,
 powder coating on each of RAL colours.

LUK...B60

Cat. No.	Symbol	Jm	Weight [kg/pc.]	Dim. A [mm]	Dim. B [mm]	Dim. C [mm]	Dim. D [mm]
786630	LUK B60	100 pcs.	0,07	95	63	110	90




TRAY PARTITION



Application:
Cable tray dividing.
Suitable for trays: KP, KPP, KPZ, KB, KBZ.

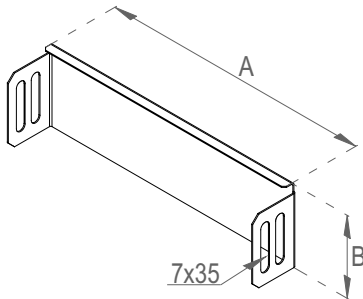
Material:
Steel galvanized by Sendzimir method (EN 10327)
On request: hot deep galvanized steel (EN ISO 1461),
stainless steel (AISI 304 or AISI 316), aluminum,
powder coating on each of RAL colours.

PDK B60. . .

0,55 - 2,00	Cat. No.	Symbol		Jm	Weight [kg/m]	Dim. A [mm]	Dim. B [mm]	Dim. C [mm]	Dim. L [mm]
	784105	PDK B60M-055	2	mb	0,36	30	58	10	2000
	784106	PDK B60-055	2	mb	0,36	30	58	10	2000
	784115	PDK B60M-075	3	mb	0,48	30	58	10	3000
	784116	PDK B60-075	3	mb	0,48	30	58	10	3000
	784125	PDK B60M-10	3	mb	0,64	30	58	10	3000
	784126	PDK B60-10	3	mb	0,64	30	58	10	3000
	784135	PDK B60M-15	3	mb	0,93	30	58	10	3000
	784136	PDK B60-15	3	mb	0,93	30	58	10	3000
	786738	PDK B60M-20	3	mb	1,22	30	58	10	3000
786739	PDK B60-20	3	mb	1,22	30	58	10	3000	

Attention: The symbol of the partition containing the M means the partition installed in the tray.


TRAY CAP

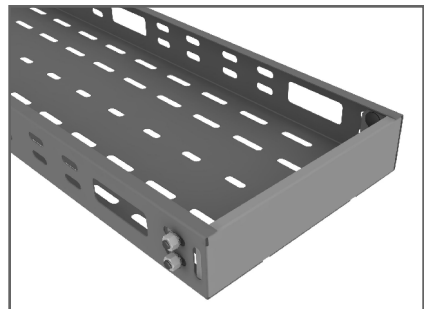


Application:
Cable tray ending.
Suitable for trays: KP, KB.

Material:
Steel galvanized by Sendzimir method (EN 10327).
On request: powder coating on each of RAL colours.

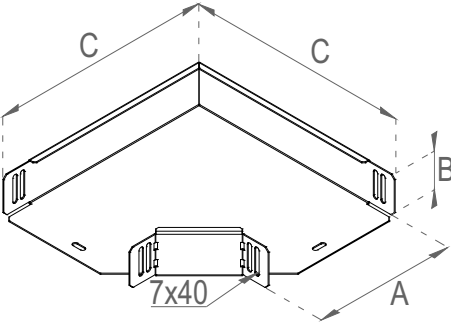
ZPK . . . B60-075

0,75	Cat. No.	Symbol		Jm	Weight [kg/pc]	Dim. A [mm]	Dim. B [mm]
	788630	ZPK 80B60-075	1	pcs.	0,05	78	58
	788631	ZPK 100B60-075	1	pcs.	0,06	98	58
	788632	ZPK 120B60-075	1	pcs.	0,07	118	58
	788633	ZPK 150B60-075	1	pcs.	0,09	148	58
	788634	ZPK 200B60-075	1	pcs.	0,11	198	58
	788635	ZPK 250B60-075	1	pcs.	0,14	248	58
	788636	ZPK 300B60-075	1	pcs.	0,16	298	58
	788637	ZPK 400B60-075	1	pcs.	0,21	398	58
	788638	ZPK 500B60-075	1	pcs.	0,26	498	58
788639	ZPK 600B60-075	1	pcs.	0,31	598	58	



HORIZONTAL BEND

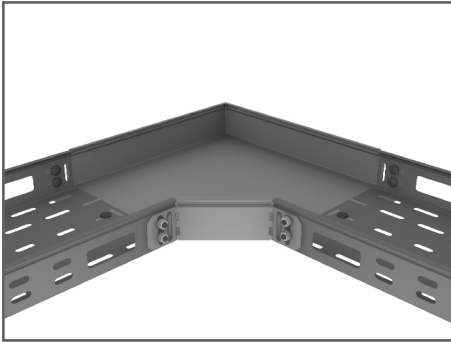
B60



Application:
Horizontal change of direction of cable routes.

Fitting elements:
Cover PKK

Material:
Steel galvanized by Sendzimir method (EN 10327)
On request: hot deep galvanized steel (EN ISO 1461),
stainless steel (AISI 304 or AISI 316), aluminum,
powder coating on each of RAL colours.



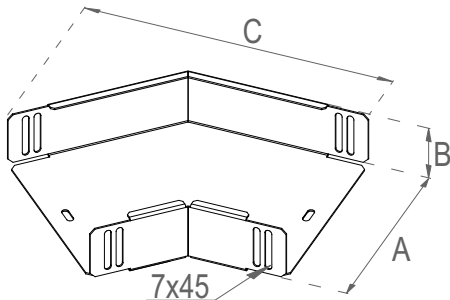
KK...B60-075							
Cat. No.	Symbol	Jm	Weight [kg/pc.]	Dim. A [mm]	Dim. B [mm]	Dim. C [mm]	0,75
784201	KK 80B60-075	1	0,42	83	63	200	
784202	KK 100B60-075	1	0,45	103	63	210	
784203	KK 120B60-075	1	0,52	123	63	230	
784204	KK 150B60-075	1	0,63	153	63	260	
784205	KK 200B60-075	1	0,86	203	63	315	
784206	KK 250B60-075	1	1,10	253	63	365	
784207	KK 300B60-075	1	1,37	303	63	415	

KK...B60-10							
Cat. No.	Symbol	Jm	Weight [kg/pc.]	Dim. A [mm]	Dim. B [mm]	Dim. C [mm]	1,00
784242	KK 80B60-10	1	0,55	83	63	200	
784243	KK 100B60-10	1	0,60	103	63	210	
784244	KK 120B60-10	1	0,69	123	63	230	
784245	KK 150B60-10	1	0,83	153	63	260	
784246	KK 200B60-10	1	1,14	203	63	315	
784247	KK 250B60-10	1	1,47	253	63	365	
784248	KK 300B60-10	1	1,83	303	63	415	
784249	KK 400B60-10	1	2,67	403	63	515	
784250	KK 500B60-10	1	3,68	503	63	615	
784251	KK 600B60-10	1	4,84	603	63	715	

KK...B60-15							
Cat. No.	Symbol	Jm	Weight [kg/pc.]	Dim. A [mm]	Dim. B [mm]	Dim. C [mm]	1,50
784292	KK 80B60-15	1	0,83	80	60	200	
784293	KK 100B60-15	1	0,89	100	60	210	
784294	KK 120B60-15	1	1,03	120	60	230	
784295	KK 150B60-15	1	1,25	150	60	260	
784296	KK 200B60-15	1	1,71	200	60	315	
784297	KK 250B60-15	1	2,20	250	60	365	
784298	KK 300B60-15	1	2,74	300	60	415	
784299	KK 400B60-15	1	4,01	400	60	515	
784300	KK 500B60-15	1	5,52	500	60	615	
784301	KK 600B60-15	1	7,26	600	60	715	

KK...B60-20							
Cat. No.	Symbol	Jm	Weight [kg/pc.]	Dim. A [mm]	Dim. B [mm]	Dim. C [mm]	2,00
786764	KK 80B60-20	1	1,11	80	60	200	
786765	KK 100B60-20	1	1,19	100	60	210	
786766	KK 120B60-20	1	1,37	120	60	230	
786767	KK 150B60-20	1	1,67	150	60	260	
786768	KK 200B60-20	1	2,29	200	60	315	
786769	KK 250B60-20	1	2,93	250	60	365	
786770	KK 300B60-20	1	3,66	300	60	415	
786771	KK 400B60-20	1	5,35	400	60	515	
786772	KK 500B60-20	1	7,35	500	60	615	
786773	KK 600B60-20	1	9,68	600	60	715	

HORIZONTAL BEND 45°



Application:
Horizontal change of direction of cable routes.

Fitting elements:
Cover PKK45

Material:
Steel galvanized by Sendzimir method (EN 10327)
On request: hot deep galvanized steel (EN ISO 1461),
stainless steel (AISI 304 or AISI 316), aluminum,
powder coating on each of RAL colours.

KK45 . . .B60-075

0,75	Cat. No.	Symbol		Jm	Weight	Dim.	Dim.	Dim.
					[kg/pc.]	A [mm]	B [mm]	C [mm]
	788203	KK45 80B60-075	1	pcs.	0,29	83	63	200
	788204	KK45 100B60-075	1	pcs.	0,31	103	63	210
	788205	KK45 120B60-075	1	pcs.	0,36	123	63	230
	788206	KK45 150B60-075	1	pcs.	0,44	153	63	260
	788207	KK45 200B60-075	1	pcs.	0,60	203	63	315
	788208	KK45 250B60-075	1	pcs.	0,77	253	63	365
	788209	KK45 300B60-075	1	pcs.	0,96	303	63	415

KK45 . . .B60-10

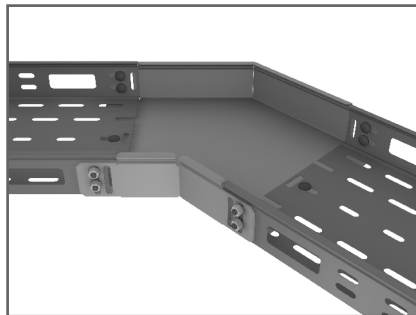
1,00	Cat. No.	Symbol		Jm	Weight	Dim.	Dim.	Dim.
					[kg/pc.]	A [mm]	B [mm]	C [mm]
	788244	KK45 80B60-10	1	pcs.	0,39	83	63	200
	788245	KK45 100B60-10	1	pcs.	0,42	103	63	210
	788246	KK45 120B60-10	1	pcs.	0,48	123	63	230
	788247	KK45 150B60-10	1	pcs.	0,58	153	63	260
	788248	KK45 200B60-10	1	pcs.	0,80	203	63	315
	788249	KK45 250B60-10	1	pcs.	1,03	253	63	365
	788250	KK45 300B60-10	1	pcs.	1,28	303	63	415
	788251	KK45 400B60-10	1	pcs.	1,87	403	63	515
	788252	KK45 500B60-10	1	pcs.	2,57	503	63	615
	788253	KK45 600B60-10	1	pcs.	3,39	603	63	715

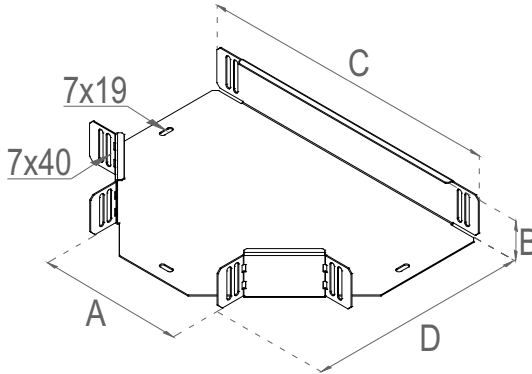
KK45 . . .B60-15

1,50	Cat. No.	Symbol		Jm	Weight	Dim.	Dim.	Dim.
					[kg/pc.]	A [mm]	B [mm]	C [mm]
	788292	KK45 80B60-15	1	pcs.	0,58	80	60	200
	788293	KK45 100B60-15	1	pcs.	0,63	100	60	210
	788294	KK45 120B60-15	1	pcs.	0,72	120	60	230
	788295	KK45 150B60-15	1	pcs.	0,88	150	60	260
	788296	KK45 200B60-15	1	pcs.	1,20	200	60	315
	788297	KK45 250B60-15	1	pcs.	1,54	250	60	365
	788298	KK45 300B60-15	1	pcs.	1,92	300	60	415
	788299	KK45 400B60-15	1	pcs.	2,81	400	60	515
	788300	KK45 500B60-15	1	pcs.	3,86	500	60	615
	788301	KK45 600B60-15	1	pcs.	5,08	600	60	715

KK45 . . .B60-20

2,00	Cat. No.	Symbol		Jm	Weight	Dim.	Dim.	Dim.
					[kg/pc.]	A [mm]	B [mm]	C [mm]
	788340	KK45 80B60-20	1	pcs.	0,77	80	60	200
	788341	KK45 100B60-20	1	pcs.	0,83	100	60	210
	788342	KK45 120B60-20	1	pcs.	0,96	120	60	230
	788343	KK45 150B60-20	1	pcs.	1,17	150	60	260
	788344	KK45 200B60-20	1	pcs.	1,60	200	60	315
	788345	KK45 250B60-20	1	pcs.	2,05	250	60	365
	788346	KK45 300B60-20	1	pcs.	2,56	300	60	415
	788347	KK45 400B60-20	1	pcs.	3,74	400	60	515
	788348	KK45 500B60-20	1	pcs.	5,15	500	60	615
	788349	KK45 600B60-20	1	pcs.	6,78	600	60	715





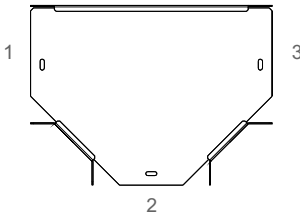
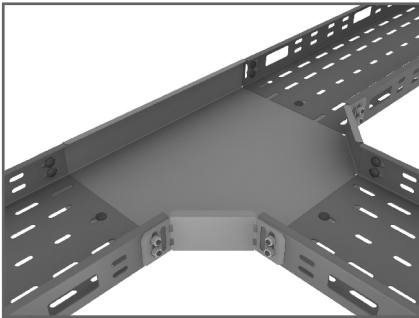
B60



Application:
Branching out cable routes.

Fitting elements:
Cover PTK

Material:
Steel galvanized by Sendzimir method (EN 10327)
On request: hot deep galvanized steel (EN ISO 1461),
stainless steel (AISI 304 or AISI 316), aluminum,
powder coating on each of RAL colours.



In case of special orders
specify dimensions: 1, 2, 3.
Example: TK 1/2/3B60-15

TK...B60-075

Cat. No.	Symbol	Jm	Weight [kg/pc.]	Dim. A [mm]	Dim. B [mm]	Dim. C [mm]	Dim. D [mm]	0,75
784366	TK 80B60-075	1	0,47	83	63	300	185	
784367	TK 100B60-075	1	0,54	103	63	315	210	
784368	TK 120B60-075	1	0,62	123	63	335	230	
784369	TK 150B60-075	1	0,74	153	63	365	260	
784370	TK 200B60-075	1	0,97	203	63	415	310	
784371	TK 250B60-075	1	1,22	253	63	465	360	
784372	TK 300B60-075	1	1,51	303	63	515	410	

TK...B60-10

Cat. No.	Symbol	Jm	Weight [kg/pc.]	Dim. A [mm]	Dim. B [mm]	Dim. C [mm]	Dim. D [mm]	1,00
784407	TK 80B60-10	1	0,63	83	63	300	185	
784408	TK 100B60-10	1	0,73	103	63	315	210	
784409	TK 120B60-10	1	0,83	123	63	335	230	
784410	TK 150B60-10	1	0,99	153	63	365	260	
784411	TK 200B60-10	1	1,29	203	63	415	310	
784412	TK 250B60-10	1	1,63	253	63	465	360	
784413	TK 300B60-10	1	2,01	303	63	515	410	
784414	TK 400B60-10	1	2,89	403	63	615	510	
784415	TK 500B60-10	1	3,94	503	63	715	610	
784416	TK 600B60-10	1	5,14	603	63	815	710	

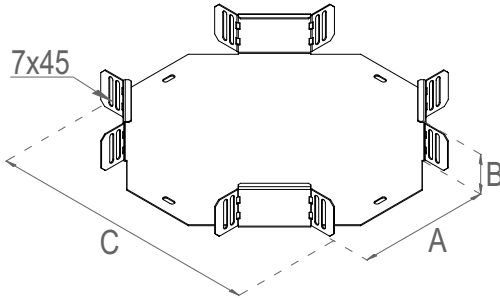
TK...B60-15

Cat. No.	Symbol	Jm	Weight [kg/pc.]	Dim. A [mm]	Dim. B [mm]	Dim. C [mm]	Dim. D [mm]	1,50
784457	TK 80B60-15	1	0,95	80	60	300	185	
784458	TK 100B60-15	1	1,09	100	60	315	210	
784459	TK 120B60-15	1	1,24	120	60	335	230	
784460	TK 150B60-15	1	1,48	150	60	365	260	
784461	TK 200B60-15	1	1,93	200	60	415	310	
784462	TK 250B60-15	1	2,44	250	60	465	360	
784463	TK 300B60-15	1	3,02	300	60	515	410	
784464	TK 400B60-15	1	4,34	400	60	615	510	
784465	TK 500B60-15	1	5,90	500	60	715	610	
784466	TK 600B60-15	1	7,71	600	60	815	710	

TK...B60-20

Cat. No.	Symbol	Jm	Weight [kg/pc.]	Dim. A [mm]	Dim. B [mm]	Dim. C [mm]	Dim. D [mm]	2,00
786823	TK 80B60-20	1	1,26	80	60	300	185	
786824	TK 100B60-20	1	1,45	100	60	315	210	
786825	TK 120B60-20	1	1,65	120	60	335	230	
786826	TK 150B60-20	1	1,97	150	60	365	260	
786827	TK 200B60-20	1	2,58	200	60	415	310	
786828	TK 250B60-20	1	3,26	250	60	465	360	
786829	TK 300B60-20	1	4,02	300	60	515	410	
786830	TK 400B60-20	1	5,79	400	60	615	510	
786831	TK 500B60-20	1	7,87	500	60	715	610	
786832	TK 600B60-20	1	10,28	600	60	815	710	

HORIZONTAL CROSS-OVER



Application:
Branching out cable routes.

Fitting elements:
Cover PCZK

Material:
Steel galvanized by Sendzimir steel (EN 10327)
On request: hot deep galvanized steel (EN ISO 1461),
stainless steel (AISI 304 or AISI 316), aluminum,
powder coating on each of RAL colours.

CZK ...B60-075

Cat. No.	Symbol	Jm	Weight [kg/pc.]	Dim. [mm]		
				A	B	C
784530	CZK 80B60-075	1 pcs.	0,62	83	63	300
784531	CZK 100B60-075	1 pcs.	0,71	103	63	320
784532	CZK 120B60-075	1 pcs.	0,80	123	63	340
784533	CZK 150B60-075	1 pcs.	0,95	153	63	370
784534	CZK 200B60-075	1 pcs.	1,23	203	63	420
784535	CZK 250B60-075	1 pcs.	1,53	253	63	470
784536	CZK 300B60-075	1 pcs.	1,86	303	63	520

CZK ...B60-10

Cat. No.	Symbol	Jm	Weight [kg/pc.]	Dim. [mm]		
				A	B	C
784571	CZK 80B60-10	1 pcs.	0,83	83	63	300
784572	CZK 100B60-10	1 pcs.	0,95	103	63	320
784573	CZK 120B60-10	1 pcs.	1,07	123	63	340
784574	CZK 150B60-10	1 pcs.	1,27	153	63	370
784575	CZK 200B60-10	1 pcs.	1,63	203	63	420
784576	CZK 250B60-10	1 pcs.	2,04	253	63	470
784577	CZK 300B60-10	1 pcs.	2,48	303	63	520
784578	CZK 400B60-10	1 pcs.	3,49	403	63	620
784579	CZK 500B60-10	1 pcs.	4,66	503	63	720
784580	CZK 600B60-10	1 pcs.	5,99	603	63	820

CZK ...B60-15

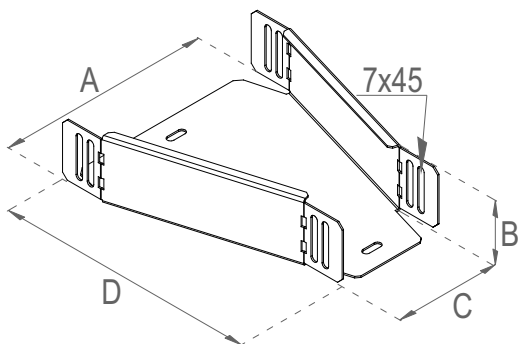
Cat. No.	Symbol	Jm	Weight [kg/pc.]	Dim. [mm]		
				A	B	C
784621	CZK 80B60-15	1 pcs.	1,24	80	60	300
784622	CZK 100B60-15	1 pcs.	1,42	100	60	320
784623	CZK 120B60-15	1 pcs.	1,61	120	60	340
784624	CZK 150B60-15	1 pcs.	1,91	150	60	370
784625	CZK 200B60-15	1 pcs.	2,45	200	60	420
784626	CZK 250B60-15	1 pcs.	3,06	250	60	470
784627	CZK 300B60-15	1 pcs.	3,72	300	60	520
784628	CZK 400B60-15	1 pcs.	5,24	400	60	620
784629	CZK 500B60-15	1 pcs.	6,99	500	60	720
784630	CZK 600B60-15	1 pcs.	8,98	603	60	820

CZK ...B60-20

Cat. No.	Symbol	Jm	Weight [kg/pc.]	Dim. [mm]		
				A	B	C
786882	CZK 80B60-20	1 pcs.	1,66	80	60	300
786883	CZK 100B60-20	1 pcs.	1,89	100	60	320
786884	CZK 120B60-20	1 pcs.	2,14	120	60	340
786885	CZK 150B60-20	1 pcs.	2,54	150	60	370
786886	CZK 200B60-20	1 pcs.	3,27	200	60	420
786887	CZK 250B60-20	1 pcs.	4,08	250	60	470
786888	CZK 300B60-20	1 pcs.	4,96	300	60	520
786889	CZK 400B60-20	1 pcs.	6,98	400	60	620
786890	CZK 500B60-20	1 pcs.	9,32	500	60	720
786891	CZK 600B60-20	1 pcs.	11,97	600	60	820

HORIZONTAL SYMMETRIC REDUCTION

B60



Application:
Reducing width of cable routes.

Fitting elements:
Cover PRK

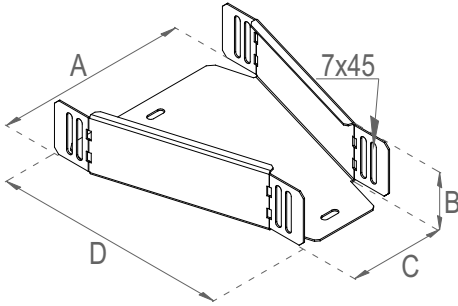
Material:
Steel galvanized by Sendzimir method (EN 10327)
On request: hot deep galvanized steel (EN ISO 1461),
stainless steel (AISI 304 or AISI 316), aluminum,
powder coating on each of RAL colours.

RK ...B60-075

Cat. No.	Symbol	Jm	Weight [kg/pc.]	Dim. A [mm]	Dim. B [mm]	Dim. C [mm]	Dim. D [mm]	0,75
784733	RK 100/80B60-075	1	0,27	103	63	83	200	
784734	RK 120/80B60-075	1	0,29	123	63	83	200	
784735	RK 120/100B60-075	1	0,30	123	63	103	200	
784736	RK 150/80B60-075	1	0,33	153	63	83	200	
784737	RK 150/100B60-075	1	0,33	153	63	103	200	
784738	RK 150/120B60-075	1	0,33	153	63	123	200	
784739	RK 200/80B60-075	1	0,46	203	63	83	250	
784740	RK 200/100B60-075	1	0,46	203	63	103	250	
784741	RK 200/120B60-075	1	0,47	203	63	123	250	
784742	RK 200/150B60-075	1	0,48	203	63	153	250	
784743	RK 250/120B60-075	1	0,53	253	63	123	250	
784744	RK 250/150B60-075	1	0,54	253	63	153	250	
784745	RK 250/200B60-075	1	0,55	253	63	203	250	
784746	RK 300/150B60-075	1	0,71	303	63	153	300	
784747	RK 300/200B60-075	1	0,73	303	63	203	300	
784748	RK 300/250B60-075	1	0,75	303	63	253	300	
784749	RK 400/200B60-075	1	0,86	403	63	203	300	
784750	RK 400/250B60-075	1	0,89	403	63	253	300	
784751	RK 400/300B60-075	1	0,91	403	63	303	300	
784752	RK 500/400B60-075	1	1,26	503	63	403	350	
784753	RK 600/400B60-075	1	1,41	603	63	403	350	
784754	RK 600/500B60-075	1	1,47	603	63	503	350	

RK ...B60-10

Cat. No.	Symbol	Jm	Weight [kg/pc.]	Dim. A [mm]	Dim. B [mm]	Dim. C [mm]	Dim. D [mm]	1,00
784845	RK 100/80B60-10	1	0,36	103	63	83	200	
784846	RK 120/80B60-10	1	0,39	123	63	83	200	
784847	RK 120/100B60-10	1	0,39	123	63	103	200	
784848	RK 150/80B60-10	1	0,43	153	63	83	200	
784849	RK 150/100B60-10	1	0,44	153	63	103	200	
784850	RK 150/120B60-10	1	0,44	153	63	123	200	
784851	RK 200/80B60-10	1	0,61	203	63	83	250	
784852	RK 200/100B60-10	1	0,62	203	63	103	250	
784853	RK 200/120B60-10	1	0,63	203	63	123	250	
784854	RK 200/150B60-10	1	0,64	203	63	153	250	
784855	RK 250/120B60-10	1	0,71	253	63	123	250	
784856	RK 250/150B60-10	1	0,72	253	63	153	250	
784857	RK 250/200B60-10	1	0,74	253	63	203	250	
784858	RK 300/150B60-10	1	0,94	303	63	153	300	
784859	RK 300/200B60-10	1	0,97	303	63	203	300	
784860	RK 300/250B60-10	1	1,00	303	63	253	300	
784861	RK 400/200B60-10	1	1,15	403	63	203	300	
784862	RK 400/250B60-10	1	1,18	403	63	253	300	
784863	RK 400/300B60-10	1	1,21	403	63	303	300	
784864	RK 500/400B60-10	1	1,88	503	63	403	350	
784865	RK 600/400B60-10	1	1,88	603	63	403	350	
784866	RK 600/500B60-10	1	1,96	603	63	503	350	



Application:
Reducing width of cable routes.

Fitting elements:
Cover PRK

Material:
Steel galvanized by Sendzimir method (EN 10327)
On request: hot deep galvanized steel (EN ISO 1461),
stainless steel (AISI 304 or AISI 316), aluminum,
powder coating on each of RAL colours.

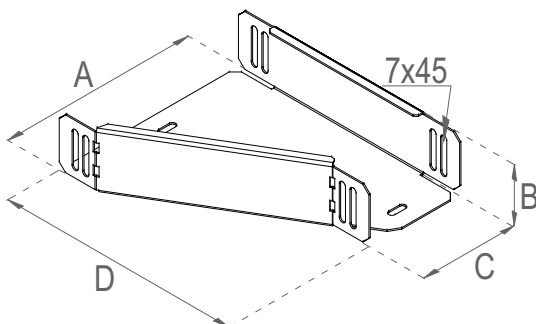
RK . . .B60-15

Cat. No.	Symbol		Jm	Weight [kg/pc.]	Dim. A [mm]	Dim. B [mm]	Dim. C [mm]	Dim. D [mm]
784956	RK 100/80B60-15	1	pcs.	0,54	100	60	83	200
784957	RK 120/80B60-15	1	pcs.	0,59	120	60	80	200
784958	RK 120/100B60-15	1	pcs.	0,59	120	60	100	200
784959	RK 150/80B60-15	1	pcs.	0,65	150	60	80	200
784960	RK 150/100B60-15	1	pcs.	0,66	150	60	100	200
784961	RK 150/120B60-15	1	pcs.	0,66	150	60	120	200
784962	RK 200/80B60-15	1	pcs.	0,92	200	60	80	250
784963	RK 200/100B60-15	1	pcs.	0,93	200	60	100	250
784964	RK 200/120B60-15	1	pcs.	0,94	200	60	120	250
784965	RK 200/150B60-15	1	pcs.	0,96	200	60	150	250
784966	RK 250/120B60-15	1	pcs.	1,06	250	60	120	250
784967	RK 250/150B60-15	1	pcs.	1,08	250	60	150	250
784968	RK 250/200B60-15	1	pcs.	1,11	250	60	200	250
784969	RK 300/150B60-15	1	pcs.	1,41	300	60	150	300
784970	RK 300/200B60-15	1	pcs.	1,46	300	60	200	300
784971	RK 300/250B60-15	1	pcs.	1,50	300	60	250	300
784972	RK 400/200B60-15	1	pcs.	1,73	400	60	200	300
784973	RK 400/250B60-15	1	pcs.	1,77	400	60	250	300
784974	RK 400/300B60-15	1	pcs.	1,82	400	60	300	300
784975	RK 500/400B60-15	1	pcs.	2,52	500	60	400	350
784976	RK 600/400B60-15	1	pcs.	2,83	600	60	400	350
784977	RK 600/500B60-15	1	pcs.	2,94	600	60	500	350

RK . . .B60-20

Cat. No.	Symbol		Jm	Weight [kg/pc.]	Dim. A [mm]	Dim. B [mm]	Dim. C [mm]	Dim. D [mm]
786966	RK 100/80B60-20	1	pcs.	0,73	100	60	80	200
786967	RK 120/80B60-20	1	pcs.	0,78	120	60	80	200
786968	RK 120/100B60-20	1	pcs.	0,79	120	60	100	200
786969	RK 150/80B60-20	1	pcs.	0,87	150	60	80	200
786970	RK 150/100B60-20	1	pcs.	0,87	150	60	100	200
786971	RK 150/120B60-20	1	pcs.	0,88	150	60	120	200
786972	RK 200/80B60-20	1	pcs.	1,22	200	60	80	250
786973	RK 200/100B60-20	1	pcs.	1,24	200	60	100	250
786974	RK 200/120B60-20	1	pcs.	1,25	200	60	120	250
786975	RK 200/150B60-20	1	pcs.	1,28	200	60	150	250
786976	RK 250/120B60-20	1	pcs.	1,42	250	60	120	250
786977	RK 250/150B60-20	1	pcs.	1,44	250	60	150	250
786978	RK 250/200B60-20	1	pcs.	1,48	250	60	200	250
786979	RK 300/150B60-20	1	pcs.	1,88	300	60	150	300
786980	RK 300/200B60-20	1	pcs.	1,94	300	60	200	300
786981	RK 300/250B60-20	1	pcs.	2,00	300	60	250	300
786982	RK 400/200B60-20	1	pcs.	2,30	400	60	200	300
786983	RK 400/250B60-20	1	pcs.	2,36	400	60	250	300
786984	RK 400/300B60-20	1	pcs.	2,42	400	60	300	300
786985	RK 500/400B60-20	1	pcs.	3,37	500	60	400	350
786986	RK 600/400B60-20	1	pcs.	3,77	600	60	400	350
786987	RK 600/500B60-20	1	pcs.	3,93	600	60	500	350

B60



Application:
Reducing width of cable routes.

Fitting elements:
Cover PRKL

Material:
Steel galvanized by Sendzimir method (EN 10327)
On request: hot deep galvanized steel (EN ISO 1461),
stainless steel (AISI 304 or AISI 316), aluminum,
powder coating on each of RAL colours.

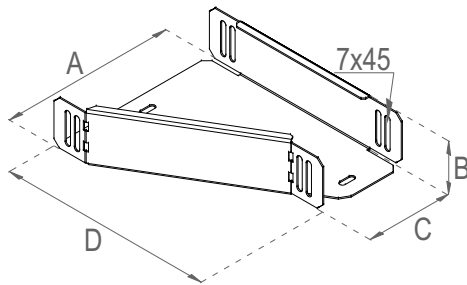
RKL . . . B60-075

Cat. No.	Symbol		Jm	Weight (kg/pc.)	Dim. A [mm]	Dim. B [mm]	Dim. C [mm]	Dim. D [mm]	0,75
787201	RKL 100/80B60-075	1	pcs.	0,27	103	63	83	200	
787202	RKL 120/80B60-075	1	pcs.	0,29	123	63	83	200	
787203	RKL 120/100B60-075	1	pcs.	0,30	123	63	103	200	
787204	RKL 150/80B60-075	1	pcs.	0,33	153	63	83	200	
787205	RKL 150/100B60-075	1	pcs.	0,33	153	63	103	200	
787206	RKL 150/120B60-075	1	pcs.	0,33	153	63	123	200	
787207	RKL 200/80B60-075	1	pcs.	0,46	203	63	83	250	
787208	RKL 200/100B60-075	1	pcs.	0,46	203	63	103	250	
787209	RKL 200/120B60-075	1	pcs.	0,47	203	63	123	250	
787210	RKL 200/150B60-075	1	pcs.	0,48	203	63	153	250	
787211	RKL 250/120B60-075	1	pcs.	0,53	253	63	123	250	
787212	RKL 250/150B60-075	1	pcs.	0,54	253	63	153	250	
787213	RKL 250/200B60-075	1	pcs.	0,55	253	63	203	250	
787214	RKL 300/150B60-075	1	pcs.	0,71	303	63	153	300	
787215	RKL 300/200B60-075	1	pcs.	0,73	303	63	203	300	
787216	RKL 300/250B60-075	1	pcs.	0,75	303	63	253	300	
787217	RKL 400/200B60-075	1	pcs.	0,86	403	63	203	300	
787218	RKL 400/250B60-075	1	pcs.	0,89	403	63	253	300	
787219	RKL 400/300B60-075	1	pcs.	0,91	403	63	303	300	
787220	RKL 500/400B60-075	1	pcs.	1,26	503	63	403	350	
787221	RKL 600/400B60-075	1	pcs.	1,41	603	63	403	350	
787222	RKL 600/500B60-075	1	pcs.	1,47	603	63	503	350	

RKL . . . B60-10

Cat. No.	Symbol		Jm	Weight (kg/pc.)	Dim. A [mm]	Dim. B [mm]	Dim. C [mm]	Dim. D [mm]	1,00
787301	RKL 100/80B60-10	1	pcs.	0,36	103	63	83	200	
787302	RKL 120/80B60-10	1	pcs.	0,39	123	63	83	200	
787303	RKL 120/100B60-10	1	pcs.	0,39	123	63	103	200	
787304	RKL 150/80B60-10	1	pcs.	0,43	153	63	83	200	
787305	RKL 150/100B60-10	1	pcs.	0,44	153	63	103	200	
787306	RKL 150/120B60-10	1	pcs.	0,44	153	63	123	200	
787307	RKL 200/80B60-10	1	pcs.	0,61	203	63	83	250	
787308	RKL 200/100B60-10	1	pcs.	0,62	203	63	103	250	
787309	RKL 200/120B60-10	1	pcs.	0,63	203	63	123	250	
787310	RKL 200/150B60-10	1	pcs.	0,64	203	63	153	250	
787311	RKL 250/120B60-10	1	pcs.	0,71	253	63	123	250	
787312	RKL 250/150B60-10	1	pcs.	0,72	253	63	153	250	
787313	RKL 250/200B60-10	1	pcs.	0,74	253	63	203	250	
787314	RKL 300/150B60-10	1	pcs.	0,94	303	63	153	300	
787315	RKL 300/200B60-10	1	pcs.	0,97	303	63	203	300	
787316	RKL 300/250B60-10	1	pcs.	1,00	303	63	253	300	
787317	RKL 400/200B60-10	1	pcs.	1,15	403	63	203	300	
787318	RKL 400/250B60-10	1	pcs.	1,18	403	63	253	300	
787319	RKL 400/300B60-10	1	pcs.	1,21	403	63	303	300	
787320	RKL 500/400B60-10	1	pcs.	1,68	503	63	403	350	
787321	RKL 600/400B60-10	1	pcs.	1,88	603	63	403	350	
787322	RKL 600/500B60-10	1	pcs.	1,96	603	63	503	350	

HORIZONTAL REDUCTION - LEFT



Application:
Reducing width of cable routes.

Fitting elements:
Cover PRKL

Material:
Steel galvanized by Sendzimir method (EN 10327)
On request: hot deep galvanized steel (EN ISO 1461),
stainless steel (AISI 304 or AISI 316), aluminum,
powder coating on each of RAL colours.

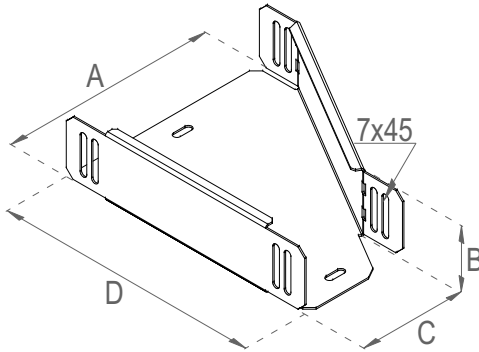
RKL . . . B60-15

Cat. No.	Symbol	Jm	Weight [kg/pc.]	Dim. A [mm]	Dim. B [mm]	Dim. C [mm]	Dim. D [mm]
787404	RKL 100/80B60-15	1 pcs.	0.54	100	60	80	200
787405	RKL 120/80B60-15	1 pcs.	0.59	120	60	80	200
787406	RKL 120/100B60-15	1 pcs.	0.59	120	60	100	200
787407	RKL 150/80B60-15	1 pcs.	0.65	150	60	80	200
787408	RKL 150/100B60-15	1 pcs.	0.66	150	60	100	200
787409	RKL 150/120B60-15	1 pcs.	0.66	150	60	120	200
787410	RKL 200/80B60-15	1 pcs.	0.92	200	60	80	250
787411	RKL 200/100B60-15	1 pcs.	0.93	200	60	100	250
787412	RKL 200/120B60-15	1 pcs.	0.94	200	60	120	250
787413	RKL 200/150B60-15	1 pcs.	0.96	200	60	150	250
787414	RKL 250/120B60-15	1 pcs.	1.06	250	60	120	250
787415	RKL 250/150B60-15	1 pcs.	1.08	250	60	150	250
787416	RKL 250/200B60-15	1 pcs.	1.11	250	60	200	250
787417	RKL 300/150B60-15	1 pcs.	1.41	300	60	150	300
787418	RKL 300/200B60-15	1 pcs.	1.46	300	60	200	300
787419	RKL 300/250B60-15	1 pcs.	1.50	300	60	250	300
787420	RKL 400/200B60-15	1 pcs.	1.73	400	60	200	300
787421	RKL 400/250B60-15	1 pcs.	1.77	400	60	250	300
787422	RKL 400/300B60-15	1 pcs.	1.82	400	60	300	300
787423	RKL 500/400B60-15	1 pcs.	2.52	500	60	400	350
787424	RKL 600/400B60-15	1 pcs.	2.83	600	60	400	350
787425	RKL 600/500B60-15	1 pcs.	2.94	600	60	500	350

RKL . . . B60-20

Cat. No.	Symbol	Jm	Weight [kg/pc.]	Dim. A [mm]	Dim. B [mm]	Dim. C [mm]	Dim. D [mm]
787507	RKL 100/80B60-20	1 pcs.	0.73	100	60	80	200
787508	RKL 120/80B60-20	1 pcs.	0.78	120	60	80	200
787509	RKL 120/100B60-20	1 pcs.	0.79	120	60	100	200
787510	RKL 150/80B60-20	1 pcs.	0.87	150	60	80	200
787511	RKL 150/100B60-20	1 pcs.	0.87	150	60	100	200
787512	RKL 150/120B60-20	1 pcs.	0.88	150	60	120	200
787513	RKL 200/80B60-20	1 pcs.	1.22	200	60	80	250
787514	RKL 200/100B60-20	1 pcs.	1.24	200	60	100	250
787515	RKL 200/120B60-20	1 pcs.	1.25	200	60	120	250
787516	RKL 200/150B60-20	1 pcs.	1.28	200	60	150	250
787517	RKL 250/120B60-20	1 pcs.	1.42	250	60	120	250
787518	RKL 250/150B60-20	1 pcs.	1.44	250	60	150	250
787519	RKL 250/200B60-20	1 pcs.	1.48	250	60	200	250
787520	RKL 300/150B60-20	1 pcs.	1.88	300	60	150	300
787521	RKL 300/200B60-20	1 pcs.	1.94	300	60	200	300
787522	RKL 300/250B60-20	1 pcs.	2.00	300	60	250	300
787523	RKL 400/200B60-20	1 pcs.	2.30	400	60	200	300
787524	RKL 400/250B60-20	1 pcs.	2.36	400	60	250	300
787525	RKL 400/300B60-20	1 pcs.	2.42	400	60	300	300
787526	RKL 500/400B60-20	1 pcs.	3.37	500	60	400	350
787527	RKL 600/400B60-20	1 pcs.	3.77	600	60	400	350
787528	RKL 600/500B60-20	1 pcs.	3.93	600	60	500	350

B60



Application:
Reducing width of cable routes.

Fitting elements:
Cover PRKP

Material:
Steel galvanized by Sendzimir method (EN 10327)
On request: hot deep galvanized steel (EN ISO 1461),
stainless steel (AISI 304 or AISI 316), aluminum,
powder coating on each of RAL colours.

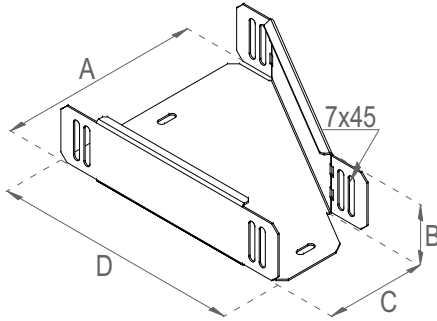
RKP...B60-075

Cat. No.	Symbol		Jm	Weight (kg/pc.)	Dim. A [mm]	Dim. B [mm]	Dim. C [mm]	Dim. D [mm]	0,75
787721	RKP 100/80B60-075	1	pcs.	0,27	103	63	83	200	
787722	RKP 120/80B60-075	1	pcs.	0,29	123	63	83	200	
787723	RKP 120/100B60-075	1	pcs.	0,30	123	63	103	200	
787724	RKP 150/80B60-075	1	pcs.	0,33	153	63	83	200	
787725	RKP 150/100B60-075	1	pcs.	0,33	153	63	103	200	
787726	RKP 150/120B60-075	1	pcs.	0,33	153	63	123	200	
787727	RKP 200/80B60-075	1	pcs.	0,46	203	63	83	250	
787728	RKP 200/100B60-075	1	pcs.	0,46	203	63	103	250	
787729	RKP 200/120B60-075	1	pcs.	0,47	203	63	123	250	
787730	RKP 200/150B60-075	1	pcs.	0,48	203	63	153	250	
787731	RKP 250/120B60-075	1	pcs.	0,53	253	63	123	250	
787732	RKP 250/150B60-075	1	pcs.	0,54	253	63	153	250	
787733	RKP 250/200B60-075	1	pcs.	0,55	253	63	203	250	
787734	RKP 300/150B60-075	1	pcs.	0,71	303	63	153	300	
787735	RKP 300/200B60-075	1	pcs.	0,73	303	63	203	300	
787736	RKP 300/250B60-075	1	pcs.	0,75	303	63	253	300	
787737	RKP 400/200B60-075	1	pcs.	0,86	403	63	203	300	
787738	RKP 400/250B60-075	1	pcs.	0,89	403	63	253	300	
787739	RKP 400/300B60-075	1	pcs.	0,91	403	63	303	300	
787740	RKP 500/400B60-075	1	pcs.	1,26	503	63	403	350	
787741	RKP 600/400B60-075	1	pcs.	1,41	603	63	403	350	
787742	RKP 600/500B60-075	1	pcs.	1,47	603	63	503	350	

RKP...B60-10

Cat. No.	Symbol		Jm	Weight (kg/pc.)	Dim. A [mm]	Dim. B [mm]	Dim. C [mm]	Dim. D [mm]	1,00
787821	RKP 100/80B60-10	1	pcs.	0,36	103	63	83	200	
787822	RKP 120/80B60-10	1	pcs.	0,39	123	63	83	200	
787823	RKP 120/100B60-10	1	pcs.	0,39	123	63	103	200	
787824	RKP 150/80B60-10	1	pcs.	0,43	153	63	83	200	
787825	RKP 150/100B60-10	1	pcs.	0,44	153	63	103	200	
787826	RKP 150/120B60-10	1	pcs.	0,44	153	63	123	200	
787827	RKP 200/80B60-10	1	pcs.	0,61	203	63	83	250	
787828	RKP 200/100B60-10	1	pcs.	0,62	203	63	103	250	
787829	RKP 200/120B60-10	1	pcs.	0,63	203	63	123	250	
787830	RKP 200/150B60-10	1	pcs.	0,64	203	63	153	250	
787831	RKP 250/120B60-10	1	pcs.	0,71	253	63	123	250	
787832	RKP 250/150B60-10	1	pcs.	0,72	253	63	153	250	
787833	RKP 250/200B60-10	1	pcs.	0,74	253	63	203	250	
787834	RKP 300/150B60-10	1	pcs.	0,94	303	63	153	300	
787835	RKP 300/200B60-10	1	pcs.	0,97	303	63	203	300	
787836	RKP 300/250B60-10	1	pcs.	1,00	303	63	253	300	
787837	RKP 400/200B60-10	1	pcs.	1,15	403	63	203	300	
787838	RKP 400/250B60-10	1	pcs.	1,18	403	63	253	300	
787839	RKP 400/300B60-10	1	pcs.	1,21	403	63	303	300	
787840	RKP 500/400B60-10	1	pcs.	1,68	503	63	403	350	
787841	RKP 600/400B60-10	1	pcs.	1,88	603	63	403	350	
787842	RKP 600/500B60-10	1	pcs.	1,96	603	63	503	350	

HORIZONTAL REDUCTION - RIGHT



Application:
Reducing width of cable routes.

Fitting elements:
Cover PRKP

Material:
Steel galvanized by Sendzimir method (EN 10327)
On request: hot deep galvanized steel (EN ISO 1461),
stainless steel (AISI 304 or AISI 316), aluminum,
powder coating on each of RAL colours.

RKP...B60-15

Cat. No.	Symbol		Jm	Weight [kg/pc.]	Dim.	Dim.	Dim.	Dim.
					A [mm]	B [mm]	C [mm]	D [mm]
787924	RKP 100/80B60-15	1	pcs.	0,54	100	60	80	200
787925	RKP 120/80B60-15	1	pcs.	0,59	120	60	80	200
787926	RKP 120/100B60-15	1	pcs.	0,59	120	60	100	200
787927	RKP 150/80B60-15	1	pcs.	0,65	150	60	80	200
787928	RKP 150/100B60-15	1	pcs.	0,66	150	60	100	200
787929	RKP 150/120B60-15	1	pcs.	0,66	150	60	120	200
787930	RKP 200/80B60-15	1	pcs.	0,92	200	60	80	250
787931	RKP 200/100B60-15	1	pcs.	0,93	200	60	100	250
787932	RKP 200/120B60-15	1	pcs.	0,94	200	60	120	250
787933	RKP 200/150B60-15	1	pcs.	0,96	200	60	150	250
787934	RKP 250/120B60-15	1	pcs.	1,06	250	60	120	250
787935	RKP 250/150B60-15	1	pcs.	1,08	250	60	150	250
787936	RKP 250/200B60-15	1	pcs.	1,11	250	60	200	250
787937	RKP 300/150B60-15	1	pcs.	1,41	300	60	150	300
787938	RKP 300/200B60-15	1	pcs.	1,46	300	60	200	300
787939	RKP 300/250B60-15	1	pcs.	1,50	300	60	250	300
787940	RKP 400/200B60-15	1	pcs.	1,73	400	60	200	300
787941	RKP 400/250B60-15	1	pcs.	1,77	400	60	250	300
787942	RKP 400/300B60-15	1	pcs.	1,82	400	60	300	300
787943	RKP 500/400B60-15	1	pcs.	2,52	500	60	400	350
787944	RKP 600/400B60-15	1	pcs.	2,83	600	60	400	350
787945	RKP 600/500B60-15	1	pcs.	2,94	600	60	500	350

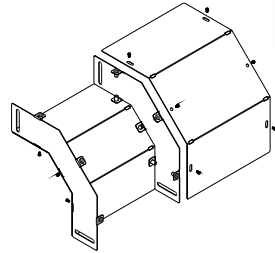
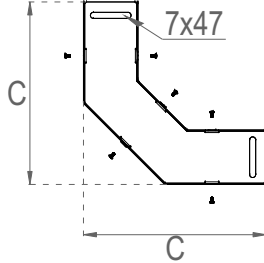
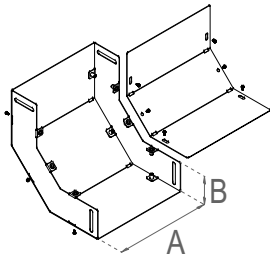
1,50

RKP...B60-20

Cat. No.	Symbol		Jm	Weight [kg/pc.]	Dim.	Dim.	Dim.	Dim.
					A [mm]	B [mm]	C [mm]	D [mm]
788027	RKP 100/80B60-20	1	pcs.	0,73	100	60	80	200
788028	RKP 120/80B60-20	1	pcs.	0,78	120	60	80	200
788029	RKP 120/100B60-20	1	pcs.	0,79	120	60	100	200
788030	RKP 150/80B60-20	1	pcs.	0,87	150	60	80	200
788031	RKP 150/100B60-20	1	pcs.	0,87	150	60	100	200
788032	RKP 150/120B60-20	1	pcs.	0,88	150	60	120	200
788033	RKP 200/80B60-20	1	pcs.	1,22	200	60	80	250
788034	RKP 200/100B60-20	1	pcs.	1,24	200	60	100	250
788035	RKP 200/120B60-20	1	pcs.	1,25	200	60	120	250
788036	RKP 200/150B60-20	1	pcs.	1,28	200	60	150	250
788037	RKP 250/120B60-20	1	pcs.	1,42	250	60	120	250
788038	RKP 250/150B60-20	1	pcs.	1,44	250	60	150	250
788039	RKP 250/200B60-20	1	pcs.	1,48	250	60	200	250
788040	RKP 300/150B60-20	1	pcs.	1,88	300	60	150	300
788041	RKP 300/200B60-20	1	pcs.	1,94	300	60	200	300
788042	RKP 300/250B60-20	1	pcs.	2,00	300	60	250	300
788043	RKP 400/200B60-20	1	pcs.	2,30	400	60	200	300
788044	RKP 400/250B60-20	1	pcs.	2,36	400	60	250	300
788045	RKP 400/300B60-20	1	pcs.	2,42	400	60	300	300
788046	RKP 500/400B60-20	1	pcs.	3,37	500	60	400	350
788047	RKP 600/400B60-20	1	pcs.	3,77	600	60	400	350
788048	RKP 600/500B60-20	1	pcs.	3,93	600	60	500	350

2,00

B60



LZK...B60-075								
0,75	Cat. No.	Symbol		Jm	Weight (kg/pc.)	Dim. A [mm]	Dim. B [mm]	Dim. C [mm]
	785267	LZWK 80B60-075	1	pcs.	0,71	83	63	221
	785268	LZWK 100B60-075	1	pcs.	0,80	103	63	221
	785269	LZWK 120B60-075	1	pcs.	0,89	123	63	221
	785270	LZWK 150B60-075	1	pcs.	1,03	153	63	221
	785271	LZWK 200B60-075	1	pcs.	1,26	203	63	221
	785272	LZWK 250B60-075	1	pcs.	1,48	253	63	221
	785273	LZWK 300B60-075	1	pcs.	1,71	303	63	221
	785274	LZWK 400B60-075	1	pcs.	2,16	403	63	221
	785275	LZWK 500B60-075	1	pcs.	2,62	503	63	221
785276	LZWK 600B60-075	1	pcs.	3,07	603	63	221	

Application:
Vertical change of direction of cable routes.

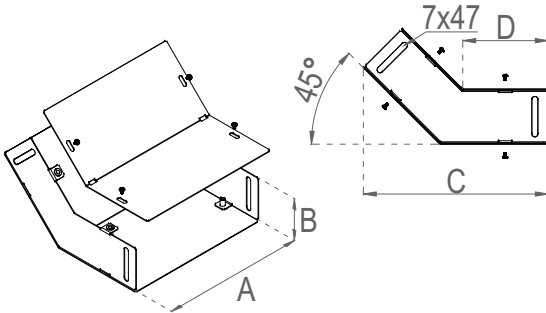
Material:
Steel galvanized by Sendzimir method (EN 10327)
On request: hot deep galvanized steel (EN ISO 1461), stainless steel (AISI 304 or AISI 316), aluminum, powder coating on each of RAL colours.

LZWK...B60-10								
1,00	Cat. No.	Symbol		Jm	Weight (kg/pc.)	Dim. A [mm]	Dim. B [mm]	Dim. C [mm]
	785317	LZWK 80B60-10	1	pcs.	0,95	83	63	221
	785318	LZWK 100B60-10	1	pcs.	1,07	103	63	221
	785319	LZWK 120B60-10	1	pcs.	1,19	123	63	221
	785320	LZWK 150B60-10	1	pcs.	1,37	153	63	221
	785321	LZWK 200B60-10	1	pcs.	1,67	203	63	221
	785322	LZWK 250B60-10	1	pcs.	1,98	253	63	221
	785323	LZWK 300B60-10	1	pcs.	2,28	303	63	221
	785324	LZWK 400B60-10	1	pcs.	2,89	403	63	221
	785325	LZWK 500B60-10	1	pcs.	3,49	503	63	221
785326	LZWK 600B60-10	1	pcs.	4,10	603	63	221	

LZWK...B60-15								
1,50	Cat. No.	Symbol		Jm	Weight (kg/pc.)	Dim. A [mm]	Dim. B [mm]	Dim. C [mm]
	785367	LZWK 80B60-15	1	pcs.	1,42	80	60	221
	785368	LZWK 100B60-15	1	pcs.	1,60	100	60	221
	785369	LZWK 120B60-15	1	pcs.	1,78	120	60	221
	785370	LZWK 150B60-15	1	pcs.	2,06	150	60	221
	785371	LZWK 200B60-15	1	pcs.	2,51	200	60	221
	785372	LZWK 250B60-15	1	pcs.	2,97	250	60	221
	785373	LZWK 300B60-15	1	pcs.	3,42	300	60	221
	785374	LZWK 400B60-15	1	pcs.	4,33	400	63	221
	785375	LZWK 500B60-15	1	pcs.	5,24	500	60	221
785376	LZWK 600B60-15	1	pcs.	6,15	600	60	221	

LZWK...B60-20								
2,00	Cat. No.	Symbol		Jm	Weight (kg/pc.)	Dim. A [mm]	Dim. B [mm]	Dim. C [mm]
	787119	LZWK 80B60-20	1	pcs.	1,89	84	60	221
	787120	LZWK 100B60-20	1	pcs.	2,13	104	60	221
	787121	LZWK 120B60-20	1	pcs.	2,38	120	60	221
	787122	LZWK 150B60-20	1	pcs.	2,74	154	60	221
	787123	LZWK 200B60-20	1	pcs.	3,35	204	60	221
	787124	LZWK 250B60-20	1	pcs.	3,95	254	60	221
	787125	LZWK 300B60-20	1	pcs.	4,56	304	60	221
	787126	LZWK 400B60-20	1	pcs.	5,77	404	60	221
	787127	LZWK 500B60-20	1	pcs.	6,99	504	60	221
787128	LZWK 600B60-20	1	pcs.	8,20	604	60	221	

VERTICAL BEND 45°



Application:
Vertical change of direction of cable routes.

Material:
Steel galvanized by Sendzimir method (EN 10327)
On request: hot deep galvanized steel (EN ISO 1461),
stainless steel (AISI 304 or AISI 316), aluminum,
powder coating on each of RAL colours.

LZWK45 . . .B60-10

1,00	Cat. No.	Symbol		Jm	Weight [kg/pc.]	Dim. A [mm]	Dim. B [mm]	Dim. C [mm]	Dim. D [mm]
	788431	LZWK45 80B60-10	1	pcs.	0,57	83	63	213	100
	788432	LZWK45 100B60-10	1	pcs.	0,63	103	63	213	100
	788433	LZWK45 120B60-10	1	pcs.	0,70	123	63	213	100
	788434	LZWK45 150B60-10	1	pcs.	0,80	153	63	213	100
	788435	LZWK45 200B60-10	1	pcs.	0,97	203	63	213	100
	788436	LZWK45 250B60-10	1	pcs.	1,15	253	63	213	100
	788437	LZWK45 300B60-10	1	pcs.	1,32	303	63	213	100
	788438	LZWK45 400B60-10	1	pcs.	1,66	403	63	213	100
	788439	LZWK45 500B60-10	1	pcs.	2,00	503	63	213	100
788440	LZWK45 600B60-10	1	pcs.	2,34	603	63	213	100	

LZWK45 . . .B60-15

1,50	Cat. No.	Symbol		Jm	Weight [kg/pc.]	Dim. A [mm]	Dim. B [mm]	Dim. C [mm]	Dim. D [mm]
	788479	LZWK45 80B60-15	1	pcs.	0,85	80	60	213	100
	788480	LZWK45 100B60-15	1	pcs.	0,95	100	60	213	100
	788481	LZWK45 120B60-15	1	pcs.	1,05	120	60	213	100
	788482	LZWK45 150B60-15	1	pcs.	1,21	150	60	213	100
	788483	LZWK45 200B60-15	1	pcs.	1,46	200	60	213	100
	788484	LZWK45 250B60-15	1	pcs.	1,72	250	60	213	100
	788485	LZWK45 300B60-15	1	pcs.	1,97	300	60	213	100
	788486	LZWK45 400B60-15	1	pcs.	2,48	400	60	213	100
	788487	LZWK45 500B60-15	1	pcs.	3,00	500	60	213	100
788488	LZWK45 600B60-15	1	pcs.	3,51	600	60	213	100	

LZWK45 . . .B60-20

2,00	Cat. No.	Symbol		Jm	Weight [kg/pc.]	Dim. A [mm]	Dim. B [mm]	Dim. C [mm]	Dim. D [mm]
	788527	LWK45 80B60-20	1	pcs.	1,13	80	60	213	100
	788528	LWK45 100B60-20	1	pcs.	1,27	100	60	213	100
	788529	LWK45 120B60-20	1	pcs.	1,40	120	60	213	100
	788530	LWK45 150B60-20	1	pcs.	1,61	150	60	213	100
	788531	LWK45 200B60-20	1	pcs.	1,95	200	60	213	100
	788532	LWK45 250B60-20	1	pcs.	2,29	250	60	213	100
	788533	LWK45 300B60-20	1	pcs.	2,63	300	60	213	100
	788534	LWK45 400B60-20	1	pcs.	3,31	400	60	213	100
	788535	LWK45 500B60-20	1	pcs.	3,99	500	60	213	100
788536	LWK45 600B60-20	1	pcs.	4,68	600	60	213	100	

ADJUSTABLE VERTICAL BEND

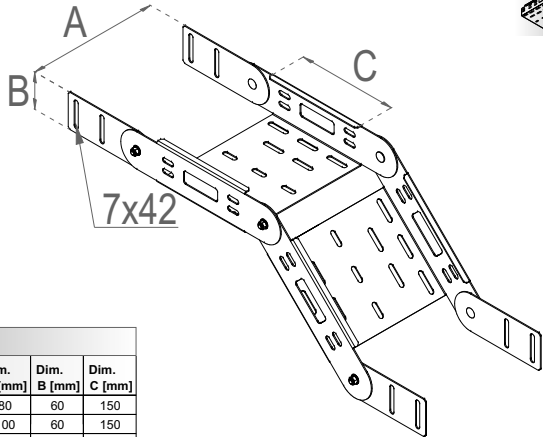
B60



Application:
Vertical change of direction of cable routes.

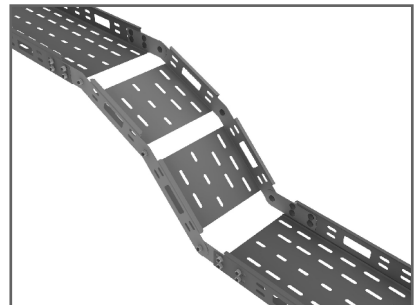
Fitting elements:
Cover PK

Material:
Steel galvanized by Sendzimir method (EN 10327)
On request: hot deep galvanized steel (EN ISO 1461),
stainless steel (AISI 304 or AISI 316), aluminum,
powder coating on each of RAL colours.



LUP...B60-075								
0,75	Cat. No.	Symbol		Jm	Weight [kg/pc.]	Dim. A [mm]	Dim. B [mm]	Dim. C [mm]
	788822	LUP 80B60-075	1	pcs.	0,75	80	60	150
	788823	LUP 100B60-075	1	pcs.	0,78	100	60	150
	788824	LUP 120B60-075	1	pcs.	0,81	120	60	150
	788825	LUP 150B60-075	1	pcs.	0,86	150	60	150
	788826	LUP 200B60-075	1	pcs.	0,94	200	60	150
	788827	LUP 250B60-075	1	pcs.	1,02	250	60	150
	788828	LUP 300B60-075	1	pcs.	1,10	300	60	150

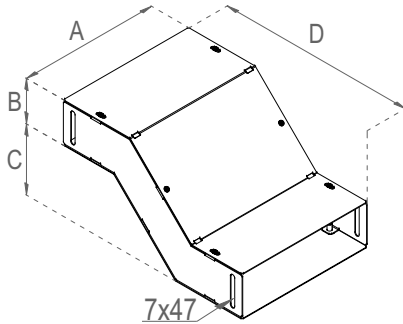
LUP...B60-10								
1,00	Cat. No.	Symbol		Jm	Weight [kg/pc.]	Dim. A [mm]	Dim. B [mm]	Dim. C [mm]
	788863	LUP 80B60-10	1	pcs.	0,99	80	60	150
	788864	LUP 100B60-10	1	pcs.	1,04	100	60	150
	788865	LUP 120B60-10	1	pcs.	1,08	120	60	150
	788866	LUP 150B60-10	1	pcs.	1,14	150	60	150
	788867	LUP 200B60-10	1	pcs.	1,25	200	60	150
	788868	LUP 250B60-10	1	pcs.	1,36	250	60	150
	788869	LUP 300B60-10	1	pcs.	1,47	300	60	150
	788870	LUP 400B60-10	1	pcs.	1,68	400	60	150
	788871	LUP 500B60-10	1	pcs.	1,90	500	60	150
	788872	LUP 600B60-10	1	pcs.	2,12	600	60	150



LUP...B60-15								
1,50	Cat. No.	Symbol		Jm	Weight [kg/pc.]	Dim. A [mm]	Dim. B [mm]	Dim. C [mm]
	788911	LUP 80B60-15	1	pcs.	1,49	80	60	150
	788912	LUP 100B60-15	1	pcs.	1,56	100	60	150
	788913	LUP 120B60-15	1	pcs.	1,62	120	60	150
	788914	LUP 150B60-15	1	pcs.	1,72	150	60	150
	788915	LUP 200B60-15	1	pcs.	1,88	200	60	150
	788916	LUP 250B60-15	1	pcs.	2,04	250	60	150
	788917	LUP 300B60-15	1	pcs.	2,20	300	60	150
	788918	LUP 400B60-15	1	pcs.	2,53	400	60	150
	788919	LUP 500B60-15	1	pcs.	2,85	500	60	150
	788920	LUP 600B60-15	1	pcs.	3,18	600	60	150

LUP...B60-20								
2,00	Cat. No.	Symbol		Jm	Weight [kg/pc.]	Dim. A [mm]	Dim. B [mm]	Dim. C [mm]
	788959	LUP 80B60-20	1	pcs.	1,99	80	60	150
	788960	LUP 100B60-20	1	pcs.	2,07	100	60	150
	788961	LUP 120B60-20	1	pcs.	2,16	120	60	150
	788962	LUP 150B60-20	1	pcs.	2,29	150	60	150
	788963	LUP 200B60-20	1	pcs.	2,51	200	60	150
	788964	LUP 250B60-20	1	pcs.	2,72	250	60	150
	788965	LUP 300B60-20	1	pcs.	2,94	300	60	150
	788966	LUP 400B60-20	1	pcs.	3,37	400	60	150
	788967	LUP 500B60-20	1	pcs.	3,80	500	60	150
	788968	LUP 600B60-20	1	pcs.	4,23	600	60	150

VERTICAL BY-PASS



Application:
Vertical change of direction of cable routes.

Material:
Steel galvanized by Sendzimir method (EN 10327)
On request: hot deep galvanized steel (EN ISO 1461),
stainless steel (AISI 304 or AISI 316), aluminum,
powder coating on each of RAL colours.

OBV...B60-10

Cat. No.	Symbol	Jm	Weight [kg/pc.]	Dim. A [mm]	Dim. B [mm]	Dim. C [mm]	Dim. D [mm]
789343	OBV 80B60-10	1	0,56	63	63	100	300
789344	OBV 100B60-10	1	0,62	103	63	100	300
789345	OBV 120B60-10	1	0,67	123	63	100	300
789346	OBV 150B60-10	1	0,76	153	63	100	300
789347	OBV 200B60-10	1	0,90	203	63	100	300
789348	OBV 250B60-10	1	1,04	253	63	100	300
789349	OBV 300B60-10	1	1,18	303	63	100	300
789350	OBV 400B60-10	1	1,46	403	63	100	300
789351	OBV 500B60-10	1	1,74	503	63	100	300
789352	OBV 600B60-10	1	2,02	603	63	100	300

1,00

OBV...B60-15

Cat. No.	Symbol	Jm	Weight [kg/pc.]	Dim. A [mm]	Dim. B [mm]	Dim. C [mm]	Dim. D [mm]
789391	OBV 80B60-15	1	0,84	80	60	100	290
789392	OBV 100B60-15	1	0,92	100	60	100	290
789393	OBV 120B60-15	1	1,01	120	60	100	290
789394	OBV 150B60-15	1	1,13	150	60	100	290
789395	OBV 200B60-15	1	1,34	200	60	100	290
789396	OBV 250B60-15	1	1,55	250	60	100	290
789397	OBV 300B60-15	1	1,76	300	60	100	290
789398	OBV 400B60-15	1	2,18	400	60	100	290
789399	OBV 500B60-15	1	2,60	500	60	100	290
789400	OBV 600B60-15	1	3,02	600	60	100	290

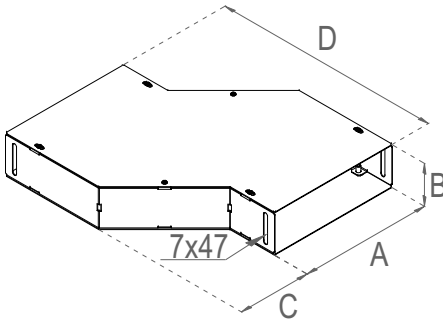
1,50

OBV...B60-20

Cat. No.	Symbol	Jm	Weight [kg/pc.]	Dim. A [mm]	Dim. B [mm]	Dim. C [mm]	Dim. D [mm]
789439	OBV 80B60-20	1	1,12	80	60	100	290
789440	OBV 100B60-20	1	1,23	100	60	100	290
789441	OBV 120B60-20	1	1,34	120	60	100	290
789442	OBV 150B60-20	1	1,51	150	60	100	290
789443	OBV 200B60-20	1	1,79	200	60	100	290
789444	OBV 250B60-20	1	2,07	250	60	100	290
789445	OBV 300B60-20	1	2,35	300	60	100	290
789446	OBV 400B60-20	1	2,91	400	60	100	290
789447	OBV 500B60-20	1	3,47	500	60	100	290
789448	OBV 600B60-20	1	4,03	600	60	100	290

2,00

B60



Application:
Horizontal change of direction of cable routes.

Material:
Steel galvanized by Sendzimir method (EN 10327)
On request: hot deep galvanized steel (EN ISO 1461),
stainless steel (AISI 304 or AISI 316), aluminum,
powder coating on each of RAL colours.

OBH . . . B60-10

Cat. No.	Symbol	Jm	Weight [kg/pc.]	Dim. A [mm]	Dim. B [mm]	Dim. C [mm]	Dim. D [mm]
788682	OBH 80B60-10	1	0,85	83	63	113	350
788683	OBH 100B60-10	1	0,97	103	63	113	350
788684	OBH 120B60-10	1	1,09	123	63	113	350
788685	OBH 150B60-10	1	1,28	153	63	113	350
788686	OBH 200B60-10	1	1,58	203	63	113	350
788687	OBH 250B60-10	1	1,88	253	63	113	350
788688	OBH 300B60-10	1	2,19	303	63	113	350
788689	OBH 400B60-10	1	2,80	403	63	113	350
788690	OBH 500B60-10	1	3,40	503	63	113	350
788691	OBH 600B60-10	1	4,01	603	63	113	350

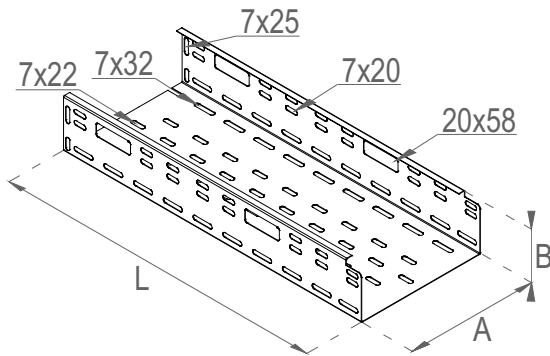
OBH . . . B60-15

Cat. No.	Symbol	Jm	Weight [kg/pc.]	Dim. A [mm]	Dim. B [mm]	Dim. C [mm]	Dim. D [mm]
788730	OBH 80B60-15	1	1,28	83	63	113	350
788731	OBH 100B60-15	1	1,46	103	63	113	350
788732	OBH 120B60-15	1	1,64	123	63	113	350
788733	OBH 150B60-15	1	1,92	153	63	113	350
788734	OBH 200B60-15	1	2,37	203	63	113	350
788735	OBH 250B60-15	1	2,83	253	63	113	350
788736	OBH 300B60-15	1	3,28	303	63	113	350
788737	OBH 400B60-15	1	4,20	403	63	113	350
788738	OBH 500B60-15	1	5,11	503	63	113	350
788739	OBH 600B60-15	1	6,02	603	63	113	350

OBH . . . B60-20

Cat. No.	Symbol	Jm	Weight [kg/pc.]	Dim. A [mm]	Dim. B [mm]	Dim. C [mm]	Dim. D [mm]
788778	OBH 80B60-20	1	1,70	83	63	113	350
788779	OBH 100B60-20	1	1,95	103	63	113	350
788780	OBH 120B60-20	1	2,19	123	63	113	350
788781	OBH 150B60-20	1	2,55	153	63	113	350
788782	OBH 200B60-20	1	3,16	203	63	113	350
788783	OBH 250B60-20	1	3,77	253	63	113	350
788784	OBH 300B60-20	1	4,38	303	63	113	350
788785	OBH 400B60-20	1	5,59	403	63	113	350
788786	OBH 500B60-20	1	6,81	503	63	113	350
788787	OBH 600B60-20	1	8,03	603	63	113	350

PERFORATED TRAY

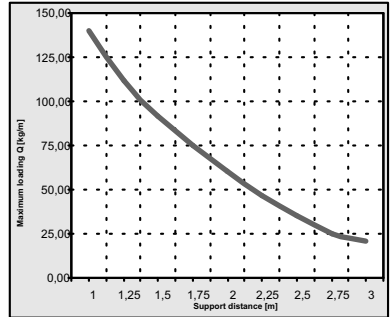


Application:
Cable routing
Connectorfree assembly
For assembly use 6 sets of SGNKK M6x10.

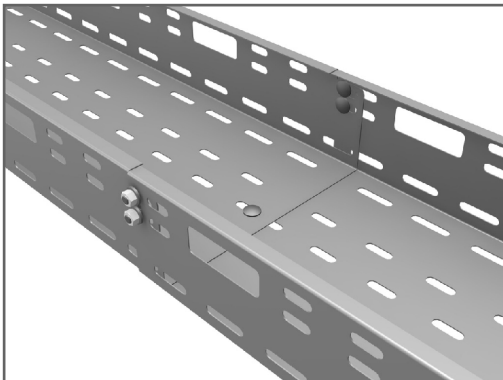
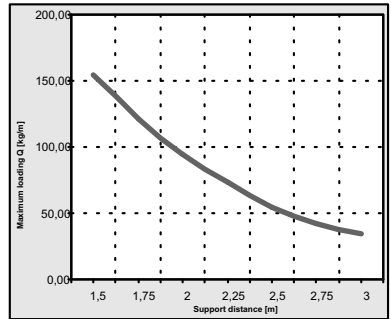
Fitting elements:
Covers PK i PKZM, connectors LKBZ, LKK, LPK, LUK, partition PDK.

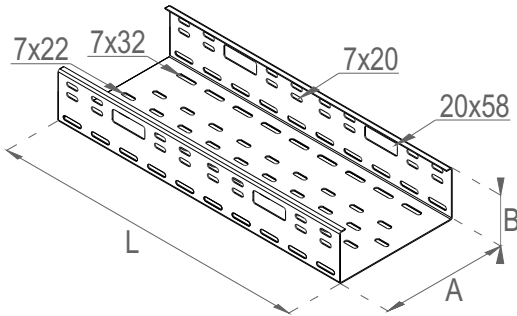
Material:
Steel galvanized by Sendzimir method (EN 10327)
On request: hot deep galvanized steel (EN ISO 1461), stainless steel (AISI 304 or AISI 316), aluminum, powder coating on each of RAL colours.

KP...B80-075								
0,75	Cat. No.	Symbol		Jm	Weight [kg/m]	Dim. A [mm]	Dim. B [mm]	Dim. L [mm]
	783819	KP 100B80-075	3	mb	1,48	100	80	3000
	783820	KP 150B80-075	3	mb	1,75	150	80	3000
	783821	KP 200B80-075	3	mb	2,02	200	80	3000
	783822	KP 250B80-075	3	mb	2,32	250	80	3000
	783823	KP 300B80-075	3	mb	2,62	300	80	3000
	783824	KP 400B80-075	3	mb	3,24	400	80	3000
	783825	KP 500B80-075	3	mb	3,84	500	80	3000
	783826	KP 600B80-075	3	mb	4,50	600	80	3000



KP...B80-10								
1,00	Cat. No.	Symbol		Jm	Weight [kg/m]	Dim. A [mm]	Dim. B [mm]	Dim. L [mm]
	783868	KP 100B80-10	3	mb	1,96	100	80	3000
	783869	KP 150B80-10	3	mb	2,32	150	80	3000
	783870	KP 200B80-10	3	mb	2,68	200	80	3000
	783871	KP 250B80-10	3	mb	3,07	250	80	3000
	783872	KP 300B80-10	3	mb	3,47	300	80	3000
	783873	KP 400B80-10	3	mb	4,30	400	80	3000
	783874	KP 500B80-10	3	mb	5,11	500	80	3000
	783875	KP 600B80-10	3	mb	5,99	600	80	3000

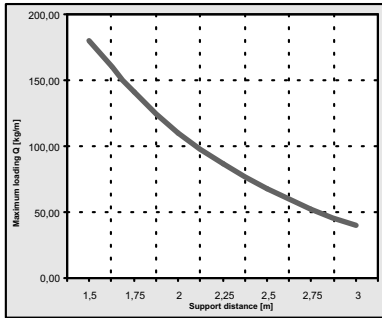




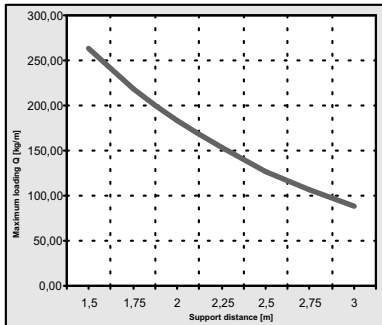
Application:
Cable routing

Fitting elements:
Covers PK I PKZM, connectors LKBZ, LKK, LPK, LUK, partition PDK.

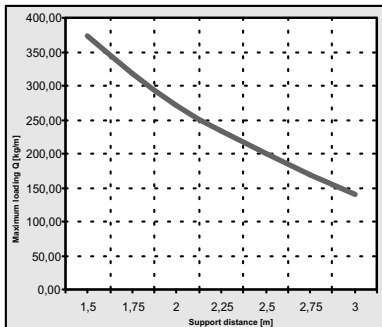
Material:
Steel galvanized by Sendzimir method (EN 10327)
On request: hot deep galvanized steel (EN ISO 1461), stainless steel (AISI 304 or AISI 316), aluminum, powder coating on each of RAL colours.



KP...B80-12								
1,20	Cat. No.	Symbol		Jm	Weight [kg/m]	Dim. A [mm]	Dim. B [mm]	Dim. L [mm]
	789716	KP 100B80-12	3	mb	2,34	100	80	3000
	789717	KP 150B80-12	3	mb	2,77	150	80	3000
	789718	KP 200B80-12	3	mb	3,20	200	80	3000
	789719	KP 250B80-12	3	mb	3,67	250	80	3000
	789720	KP 300B80-12	3	mb	4,15	300	80	3000
	789721	KP 400B80-12	3	mb	5,15	400	80	3000
	789722	KP 500B80-12	3	mb	6,11	500	80	3000
	789723	KP 600B80-12	3	mb	7,17	600	80	3000

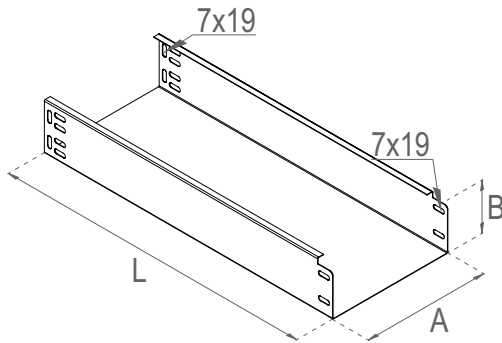


KP...B80-15								
1,50	Cat. No.	Symbol		Jm	Weight [kg/m]	Dim. A [mm]	Dim. B [mm]	Dim. L [mm]
	783914	KP 100B80-15	3	mb	2,89	100	80	3000
	783915	KP 150B80-15	3	mb	3,43	150	80	3000
	783916	KP 200B80-15	3	mb	3,97	200	80	3000
	783917	KP 250B80-15	3	mb	4,56	250	80	3000
	783918	KP 300B80-15	3	mb	5,17	300	80	3000
	783919	KP 400B80-15	3	mb	6,41	400	80	3000
	783920	KP 500B80-15	3	mb	7,62	500	80	3000
	783921	KP 600B80-15	3	mb	8,94	600	80	3000



KP...B80-20								
2,00	Cat. No.	Symbol		Jm	Weight [kg/m]	Dim. A [mm]	Dim. B [mm]	Dim. L [mm]
	786709	KP 100B80-20	3	mb	3,80	100	80	3000
	786710	KP 150B80-20	3	mb	4,52	150	80	3000
	786711	KP 200B80-20	3	mb	5,24	200	80	3000
	786712	KP 250B80-20	3	mb	6,03	250	80	3000
	786713	KP 300B80-20	3	mb	6,83	300	80	3000
	786714	KP 400B80-20	3	mb	8,48	400	80	3000
	786715	KP 500B80-20	3	mb	10,09	500	80	3000
	786716	KP 600B80-20	3	mb	11,86	600	80	3000

TRAY WITHOUT PERFORATION



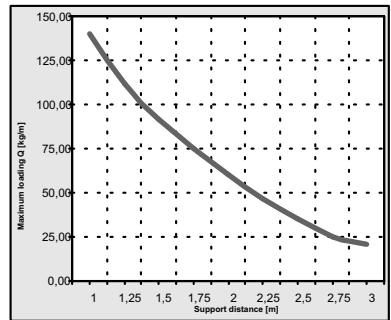
Application:
Cable routing
Connectorfree assembly
For assembly use 4 sets of SGNKK M6x10.

Fitting elements:
Covers PK i PKZM, connectors LKBZ, LKK, LPK, LUK, partition PDK.

Material:
Steel galvanized by Sendzimir method (EN 10327).
On request: hot dip galvanized steel (EN ISO 1461),
powder coating on each of RAL colours.

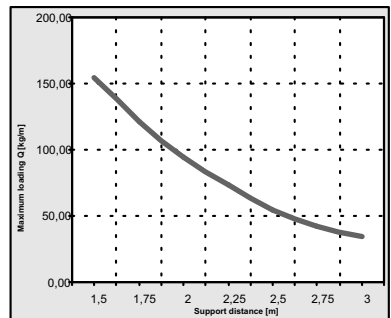
KB ...B80-075

Cat. No.	Symbol	Jm	Weight [kg/m]	Dim. A [mm]	Dim. B [mm]	Dim. L [mm]
783987	KB 100B80-075	3	1,64	100	80	3000
783988	KB 150B80-075	3	1,94	150	80	3000
783989	KB 200B80-075	3	2,24	200	80	3000
783990	KB 250B80-075	3	2,54	250	80	3000
783991	KB 300B80-075	3	2,84	300	80	3000
783992	KB 400B80-075	3	3,44	400	80	3000
783993	KB 500B80-075	3	4,04	500	80	3000
783994	KB 600B80-075	3	4,64	600	80	3000

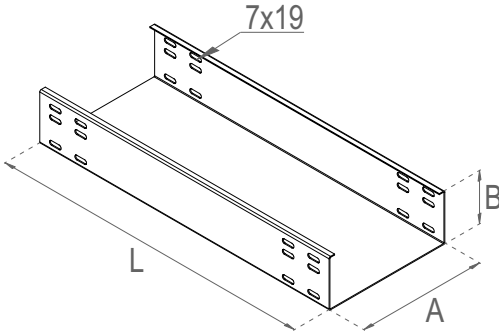


KB ...B80-10

Cat. No.	Symbol	Jm	Weight [kg/m]	Dim. A [mm]	Dim. B [mm]	Dim. L [mm]
784036	KB 100B80-10	3	2,18	100	80	3000
784037	KB 150B80-10	3	2,58	150	80	3000
784038	KB 200B80-10	3	2,98	200	80	3000
784039	KB 250B80-10	3	3,38	250	80	3000
784040	KB 300B80-10	3	3,78	300	80	3000
784041	KB 400B80-10	3	4,58	400	80	3000
784042	KB 500B80-10	3	5,38	500	80	3000
784043	KB 600B80-10	3	6,18	600	80	3000



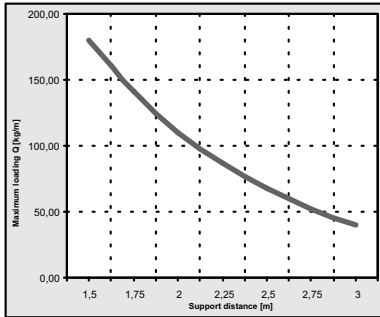
TRAY WITHOUT PERFORATION



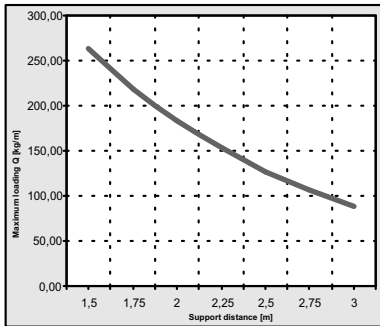
Application:
Cable routing

Fitting elements:
Covers PK i PKZM, connectors LKBZ, LKK, LPK, LUK, partition PDK.

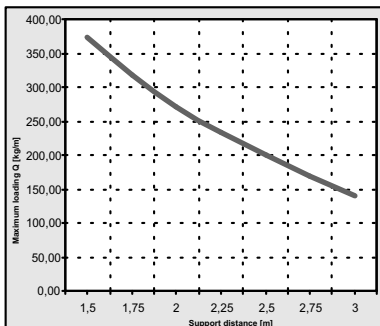
Material:
Steel galvanized by Sendzimir method (EN 10327)
On request: hot deep galvanized steel (EN ISO 1461), stainless steel (AISI 304 or AISI 316), aluminum, powder coating on each of RAL colours.



KB...B80-12							
1,20	Cat. No.	Symbol	Jm	Weight [kg/m]	Dim. A [mm]	Dim. B [mm]	Dim. L [mm]
	789762	KB 100B80-12	3 mb	2,60	100	80	3000
789763	KB 150B80-12	3 mb	3,08	150	80	3000	
789764	KB 200B80-12	3 mb	3,56	200	80	3000	
789765	KB 250B80-12	3 mb	4,04	250	80	3000	
789766	KB 300B80-12	3 mb	4,52	300	80	3000	
789767	KB 400B80-12	3 mb	5,48	400	80	3000	
789768	KB 500B80-12	3 mb	6,44	500	80	3000	
789769	KB 600B80-12	3 mb	7,40	600	80	3000	

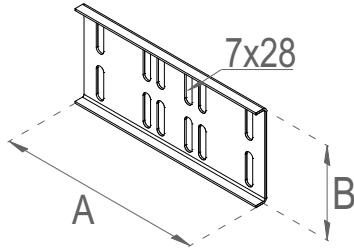


KB...B80-15							
1,50	Cat. No.	Symbol	Jm	Weight [kg/m]	Dim. A [mm]	Dim. B [mm]	Dim. L [mm]
	784085	KB 100B80-15	3 mb	3,22	100	80	3000
784086	KB 150B80-15	3 mb	3,82	150	80	3000	
784087	KB 200B80-15	3 mb	4,42	200	80	3000	
784088	KB 250B80-15	3 mb	5,02	250	80	3000	
784089	KB 300B80-15	3 mb	5,62	300	80	3000	
784090	KB 400B80-15	3 mb	6,82	400	80	3000	
784091	KB 500B80-15	3 mb	8,02	500	80	3000	
784092	KB 600B80-15	3 mb	9,22	600	80	3000	



KB...B80-20							
2,00	Cat. No.	Symbol	Jm	Weight [kg/m]	Dim. A [mm]	Dim. B [mm]	Dim. L [mm]
	786663	KB 100B80-20	3 mb	4,22	100	80	3000
786664	KB 150B80-20	3 mb	5,02	150	80	3000	
786665	KB 200B80-20	3 mb	5,82	200	80	3000	
786666	KB 250B80-20	3 mb	6,62	250	80	3000	
786667	KB 300B80-20	3 mb	7,42	300	80	3000	
786668	KB 400B80-20	3 mb	9,02	400	80	3000	
786669	KB 500B80-20	3 mb	10,62	500	80	3000	
786670	KB 600B80-20	3 mb	12,22	600	80	3000	

TRAY CONNECTOR



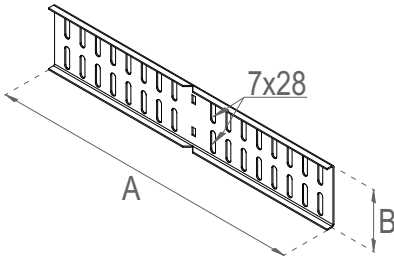
Application:
Connecting cable trays.
Suitable for trays: KP, KB.
For assembly use 8 sets of SGNKK M6x10.

Material:
Steel galvanized by Sendzimir method (EN 10327)
On request: hot deep galvanized steel (EN ISO 1461),
stainless steel (AISI 304 or AISI 316), aluminum,
powder coating on each of RAL colours.

LKBZ B80

Cat. No.	Symbol	Jm	Weight [kg/pc.]	Dim. A [mm]	Dim. B [mm]
785403	LKBZ B80	1 pcs.	0,14	170	77

ANGULAR TRAY CONNECTOR



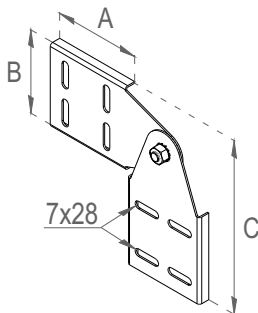
Application:
Horizontal angle connection.
Suitable for trays: KP, KB.
For assembly use 6 sets of SGNKK M6x10.

Material:
Steel galvanized by Sendzimir method (EN 10327)
On request: hot deep galvanized steel (EN ISO 1461),
stainless steel (AISI 304 or AISI 316), aluminum,
powder coating on each of RAL colours.

LKK B80

Cat. No.	Symbol	Jm	Weight [kg/pc.]	Dim. A [mm]	Dim. B [mm]
786498	LKK B80	1 pcs.	0,13	400	77

ADJUSTABLE TRAY CONNECTOR



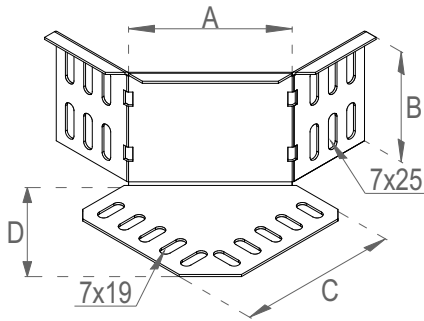
Application:
Vertical angle connection.
Suitable for trays: KP, KB.
For assembly use 8 sets of SGNKK M6x10.

Material:
Steel galvanized by Sendzimir method (EN 10327)
On request: hot deep galvanized steel (EN ISO 1461),
stainless steel (AISI 304 or AISI 316), aluminum,
powder coating on each of RAL colours.

LPK B80

Cat. No.	Symbol	Jm	Weight [kg/pc.]	Dim. A [mm]	Dim. B [mm]	Dim. C [mm]
785408	LPK B80	1 pcs.	0,24	80	77	160

B80

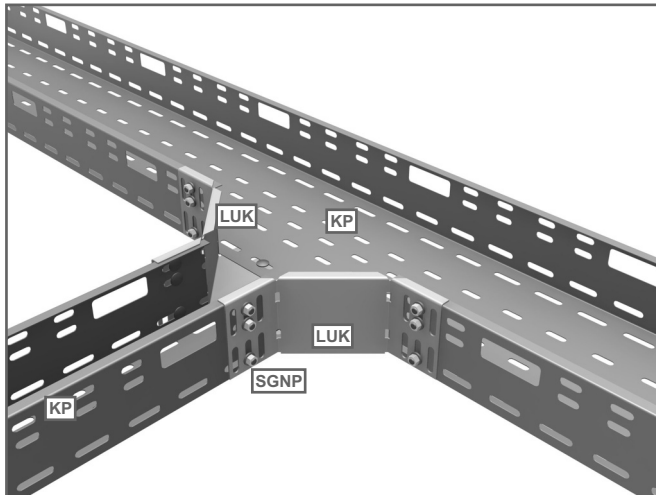


Application:
 Branching out cable tray.
 Suitable for trays: KP, KB.
 For assembly use 10 sets of SGNKK M6x10.

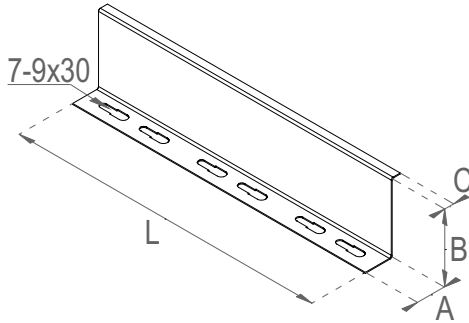
Material:
 Steel galvanized by Sendzimir method (EN 10327)
 On request: hot deep galvanized steel (EN ISO 1461),
 stainless steel (AISI 304 or AISI 316), aluminum,
 powder coating on each of RAL colours.

LUK B80

Cat. No.	Symbol	Jm	Weight	Dim. A	Dim. B	Dim. C	Dim. D
786631	LUK B80	100 pcs.	[kg/pc]	[mm]	[mm]	[mm]	[mm]
			0,10	95	83	110	90



TRAY PARTITION



Application:
Cable tray dividing.
Suitable for trays: KP, KB.

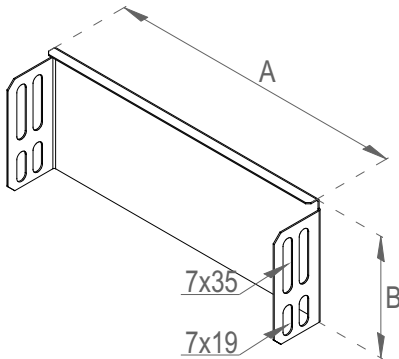
Material:
Steel galvanized by Sendzimir method (EN 10327)
On request: hot deep galvanized steel (EN ISO 1461),
stainless steel (AISI 304 or AISI 316), aluminum,
powder coating on each of RAL colours.

PDK . . .B80 . . .

Cat. No.	Symbol	Jm	Weight [kg/m]	Dim. A [mm]	Dim. B [mm]	Dim. C [mm]	Dim. L [mm]
784117	PDK B80M-075	3 mb	0,60	30	78	10	3000
784118	PDK B80-075	3 mb	0,60	30	78	10	3000
784127	PDK B80M-10	3 mb	0,80	30	78	10	3000
784128	PDK B80-10	3 mb	0,80	30	78	10	3000
784137	PDK B80M-15	3 mb	1,18	30	78	10	3000
784138	PDK B80-15	3 mb	1,18	30	78	10	3000
786740	PDK B80M-20	3 mb	1,54	30	78	10	3000
786741	PDK B80-20	3 mb	1,54	30	78	10	3000

Attention: The symbol of the partition containing the M means the partition installed in the tray.

TRAY CAP



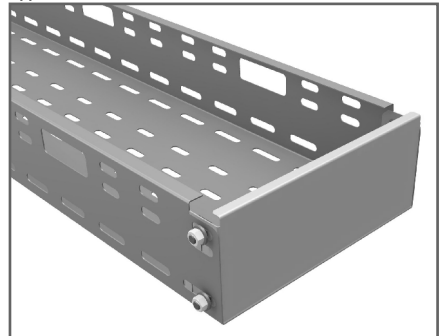
Application:
Cable tray ending.
Suitable for trays: KP, KB.

Material:
Steel galvanized by Sendzimir method (EN 10327) (PN-EN 10327:2006).
On request: powder coating on each of RAL colours.

ZPK . . .B80-075

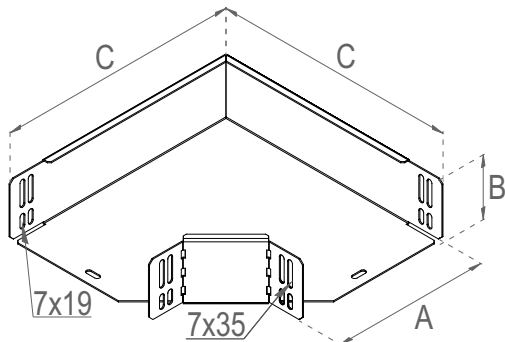
Cat. No.	Symbol	Jm	Weight [kg/pc.]	Dim. A [mm]	Dim. B [mm]
788640	ZPK 100B80-075	1 pcs.	0,08	98	78
788641	ZPK 150B80-075	1 pcs.	0,11	148	78
788642	ZPK 200B80-075	1 pcs.	0,14	198	78
788643	ZPK 250B80-075	1 pcs.	0,17	248	78
788644	ZPK 300B80-075	1 pcs.	0,20	298	78
788645	ZPK 400B80-075	1 pcs.	0,26	398	78
788646	ZPK 500B80-075	1 pcs.	0,32	498	78
788647	ZPK 600B80-075	1 pcs.	0,38	598	78

Application:



HORIZONTAL BEND

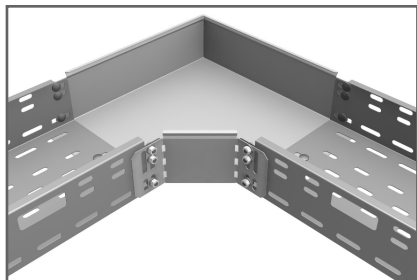
B80



Application:
Horizontal change of direction of cable routes.

Fitting elements:
Cover PKK

Material:
Steel galvanized by Sendzimir method (EN 10327)
On request: hot deep galvanized steel (EN ISO 1461),
stainless steel (AISI 304 or AISI 316), aluminum,
powder coating on each of RAL colours.



KK . . .B80-075

Cat. No.	Symbol	Jm	Weight [kg/pc.]	Dim. A [mm]	Dim. B [mm]	Dim. C [mm]	0,75
784208	KK 100B80-075	1	0,52	103	83	210	
784209	KK 120B80-075	1	0,59	123	83	230	
784210	KK 150B80-075	1	0,71	153	83	260	
784211	KK 200B80-075	1	0,95	203	83	315	
784212	KK 250B80-075	1	1,20	253	83	365	
784213	KK 300B80-075	1	1,49	303	83	415	

KK . . .B80-10

Cat. No.	Symbol	Jm	Weight [kg/pc.]	Dim. A [mm]	Dim. B [mm]	Dim. C [mm]	1,00
784252	KK 100B80-10	1	0,69	103	83	210	
784253	KK 120B80-10	1	0,78	123	83	230	
784254	KK 150B80-10	1	0,94	153	83	260	
784255	KK 200B80-10	1	1,27	203	83	315	
784256	KK 250B80-10	1	1,61	253	83	365	
784257	KK 300B80-10	1	1,98	303	83	415	
784258	KK 400B80-10	1	2,86	403	83	515	
784259	KK 500B80-10	1	3,90	503	83	615	
784260	KK 600B80-10	1	5,09	603	83	715	

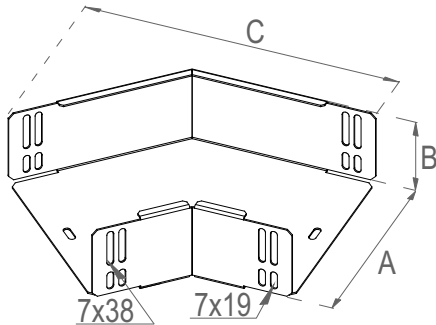
KK . . .B80-15

Cat. No.	Symbol	Jm	Weight [kg/pc.]	Dim. A [mm]	Dim. B [mm]	Dim. C [mm]	1,50
784302	KK 100B80-15	1	1,03	100	80	210	
784303	KK 120B80-15	1	1,18	120	80	230	
784304	KK 150B80-15	1	1,41	150	80	260	
784305	KK 200B80-15	1	1,90	200	80	315	
784306	KK 250B80-15	1	2,41	250	80	365	
784307	KK 300B80-15	1	2,98	300	80	415	
784308	KK 400B80-15	1	4,29	400	80	515	
784309	KK 500B80-15	1	5,85	500	80	615	
784310	KK 600B80-15	1	7,64	600	80	715	

KK . . .B80-20

Cat. No.	Symbol	Jm	Weight [kg/pc.]	Dim. A [mm]	Dim. B [mm]	Dim. C [mm]	2,00
786774	KK 100B80-20	1	1,37	100	80	210	
786775	KK 120B80-20	1	1,57	120	80	230	
786776	KK 150B80-20	1	1,88	150	80	260	
786777	KK 200B80-20	1	2,53	200	80	315	
786778	KK 250B80-20	1	3,21	250	80	365	
786779	KK 300B80-20	1	3,97	300	80	415	
786780	KK 400B80-20	1	5,72	400	80	515	
786781	KK 500B80-20	1	7,80	500	80	615	
786782	KK 600B80-20	1	10,19	600	80	715	

HORIZONTAL BEND 45°



Application:
Horizontal change of direction of cable routes.

Fitting elements:
Cover PKK45

Material:
Steel galvanized by Sendzimir method (EN 10327)
On request: hot deep galvanized steel (EN ISO 1461),
stainless steel (AISI 304 or AISI 316), aluminum,
powder coating on each of RAL colours.

KK45 . . .B80-075

0,75	Cat. No.	Symbol		Jm	Weight [kg/pc.]	Dim. A [mm]	Dim. B [mm]	Dim. C [mm]
	788210	KK45 100B80-075		1	pcs.	0,36	103	83
788211	KK45 120B80-075		1	pcs.	0,41	123	83	230
788212	KK45 150B80-075		1	pcs.	0,49	153	83	260
788213	KK45 200B80-075		1	pcs.	0,67	203	83	315
788214	KK45 250B80-075		1	pcs.	0,84	253	83	365
788215	KK45 300B80-075		1	pcs.	1,04	303	83	415

KK45 . . .B80-10

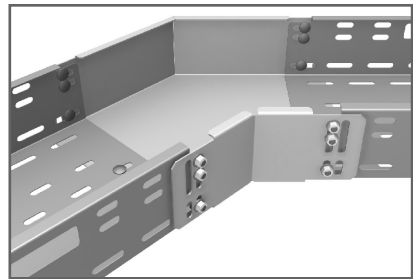
1,00	Cat. No.	Symbol		Jm	Weight [kg/pc.]	Dim. A [mm]	Dim. B [mm]	Dim. C [mm]
	788254	KK45 100B80-10		1	pcs.	0,48	103	83
788255	KK45 120B80-10		1	pcs.	0,55	123	83	230
788256	KK45 150B80-10		1	pcs.	0,66	153	83	260
788257	KK45 200B80-10		1	pcs.	0,89	203	83	315
788258	KK45 250B80-10		1	pcs.	1,12	253	83	365
788259	KK45 300B80-10		1	pcs.	1,39	303	83	415
788260	KK45 400B80-10		1	pcs.	2,00	403	83	515
788261	KK45 500B80-10		1	pcs.	2,73	503	83	615
788262	KK45 600B80-10		1	pcs.	3,57	603	83	715

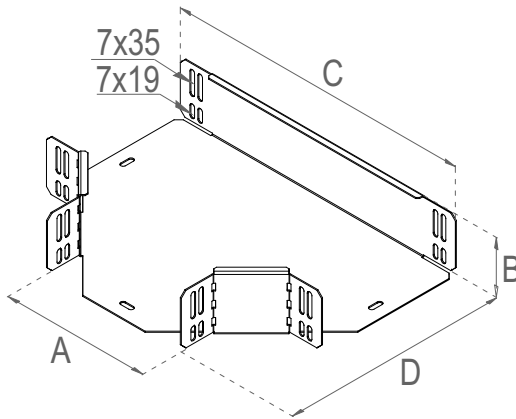
KK45 . . .B80-15

1,50	Cat. No.	Symbol		Jm	Weight [kg/pc.]	Dim. A [mm]	Dim. B [mm]	Dim. C [mm]
	788302	KK45 100B80-15		1	pcs.	0,72	100	80
788303	KK45 120B80-15		1	pcs.	0,82	120	80	230
788304	KK45 150B80-15		1	pcs.	0,99	150	80	260
788305	KK45 200B80-15		1	pcs.	1,33	200	80	315
788306	KK45 250B80-15		1	pcs.	1,69	250	80	365
788307	KK45 300B80-15		1	pcs.	2,08	300	80	415
788308	KK45 400B80-15		1	pcs.	3,00	400	80	515
788309	KK45 500B80-15		1	pcs.	4,09	500	80	615
788310	KK45 600B80-15		1	pcs.	5,35	600	80	715

KK45 . . .B80-20

2,00	Cat. No.	Symbol		Jm	Weight [kg/pc.]	Dim. A [mm]	Dim. B [mm]	Dim. C [mm]
	788350	KK45 100B80-20		1	pcs.	0,96	100	80
788351	KK45 120B80-20		1	pcs.	1,10	120	80	230
788352	KK45 150B80-20		1	pcs.	1,32	150	80	260
788353	KK45 200B80-20		1	pcs.	1,77	200	80	315
788354	KK45 250B80-20		1	pcs.	2,25	250	80	365
788355	KK45 300B80-20		1	pcs.	2,78	300	80	415
788356	KK45 400B80-20		1	pcs.	4,01	400	80	515
788357	KK45 500B80-20		1	pcs.	5,46	500	80	615
788358	KK45 600B80-20		1	pcs.	7,13	600	80	715





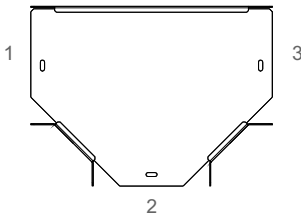
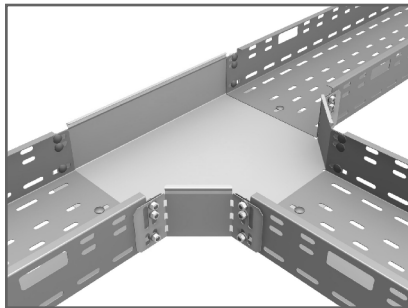
B80



Application:
Branching out cable routes.

Fitting elements:
Cover PTK

Material:
Steel galvanized by Sendzimir method (EN 10327)
On request: hot deep galvanized steel (EN ISO 1461),
stainless steel (AISI 304 or AISI 316), aluminum,
powder coating on each of RAL colours.



In case of special orders
specify dimensions: 1, 2, 3.
Example: TK 1/2/3 B60-15

TK...B80-075

Cat. No.	Symbol	Jm	Weight [kg/pc.]	Dim. A [mm]	Dim. B [mm]	Dim. C [mm]	Dim. D [mm]
784373	TK 100B80-075	1 pcs.	0,62	103	83	315	210
784374	TK 120B80-075	1 pcs.	0,70	123	83	335	230
784375	TK 150B80-075	1 pcs.	0,83	153	83	365	260
784376	TK 200B80-075	1 pcs.	1,07	203	83	415	310
784377	TK 250B80-075	1 pcs.	1,33	253	83	465	360
784378	TK 300B80-075	1 pcs.	1,63	303	83	515	410

TK...B80-10

Cat. No.	Symbol	Jm	Weight [kg/pc.]	Dim. A [mm]	Dim. B [mm]	Dim. C [mm]	Dim. D [mm]
784417	TK 100B80-10	1 pcs.	0,83	103	83	315	210
784418	TK 120B80-10	1 pcs.	0,93	123	83	335	230
784419	TK 150B80-10	1 pcs.	1,10	153	83	365	260
784420	TK 200B80-10	1 pcs.	1,42	203	83	415	310
784421	TK 250B80-10	1 pcs.	1,78	253	83	465	360
784422	TK 300B80-10	1 pcs.	2,18	303	83	515	410
784423	TK 400B80-10	1 pcs.	3,09	403	83	615	510
784424	TK 500B80-10	1 pcs.	4,16	503	83	715	610
784425	TK 600B80-10	1 pcs.	5,40	603	83	815	710

TK...B80-15

Cat. No.	Symbol	Jm	Weight [kg/pc.]	Dim. A [mm]	Dim. B [mm]	Dim. C [mm]	Dim. D [mm]
784467	TK 100B80-15	1 pcs.	1,24	100	80	315	210
784468	TK 120B80-15	1 pcs.	1,40	120	80	335	230
784469	TK 150B80-15	1 pcs.	1,66	150	80	365	260
784470	TK 200B80-15	1 pcs.	2,13	200	80	415	310
784471	TK 250B80-15	1 pcs.	2,67	250	80	465	360
784472	TK 300B80-15	1 pcs.	3,26	300	80	515	410
784473	TK 400B80-15	1 pcs.	4,63	400	80	615	510
784474	TK 500B80-15	1 pcs.	6,25	500	80	715	610
784475	TK 600B80-15	1 pcs.	8,10	600	80	815	710

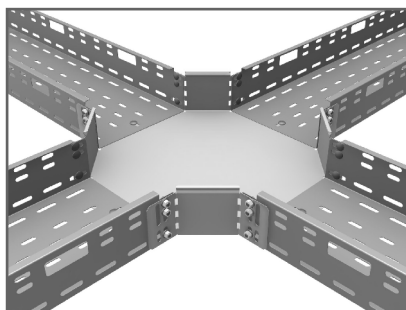
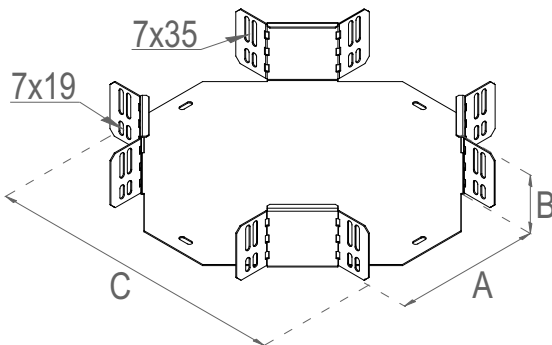
TK...B80-20

Cat. No.	Symbol	Jm	Weight [kg/pc.]	Dim. A [mm]	Dim. B [mm]	Dim. C [mm]	Dim. D [mm]
786833	TK 100B80-20	1 pcs.	1,65	100	80	315	210
786834	TK 120B80-20	1 pcs.	1,87	120	80	335	230
786835	TK 150B80-20	1 pcs.	2,21	150	80	365	260
786836	TK 200B80-20	1 pcs.	2,84	200	80	415	310
786837	TK 250B80-20	1 pcs.	3,56	250	80	465	360
786838	TK 300B80-20	1 pcs.	4,35	300	80	515	410
786839	TK 400B80-20	1 pcs.	6,18	400	80	615	510
786840	TK 500B80-20	1 pcs.	8,33	500	80	715	610
786841	TK 600B80-20	1 pcs.	10,80	600	80	815	710

Application:
Branching out cable routes.

Fitting elements:
Cover PCZK

Material:
Steel galvanized by Sendzimir method (EN 10327)
On request: hot deep galvanized steel (EN ISO 1461),
stainless steel (AISI 304 or AISI 316), aluminum,
powder coating on each of RAL colours.



CZK ...B80-075

0,75	Cat. No.	Symbol		Jm	Weight (kg/pc.)	Dim. A [mm]	Dim. B [mm]	Dim. C [mm]
	784537	CZK 100B80-075	1	pcs.	0,72	103	83	320
784538	CZK 120B80-075	1	pcs.	0,81	123	83	340	
784539	CZK 150B80-075	1	pcs.	0,96	153	83	370	
784540	CZK 200B80-075	1	pcs.	1,23	203	83	420	
784541	CZK 250B80-075	1	pcs.	1,54	253	83	470	
784542	CZK 300B80-075	1	pcs.	1,87	303	83	520	

CZK ...B80-10

1,00	Cat. No.	Symbol		Jm	Weight (kg/pc.)	Dim. A [mm]	Dim. B [mm]	Dim. C [mm]
	784581	CZK 100B80-10	1	pcs.	0,96	103	83	320
784582	CZK 120B80-10	1	pcs.	1,08	123	83	340	
784583	CZK 150B80-10	1	pcs.	1,28	153	83	370	
784584	CZK 200B80-10	1	pcs.	1,64	203	83	420	
784585	CZK 250B80-10	1	pcs.	2,05	253	83	470	
784586	CZK 300B80-10	1	pcs.	2,49	303	83	520	
784587	CZK 400B80-10	1	pcs.	3,50	403	83	620	
784588	CZK 500B80-10	1	pcs.	4,67	503	83	720	
784589	CZK 600B80-10	1	pcs.	6,00	603	83	820	

CZK ...B80-15

1,50	Cat. No.	Symbol		Jm	Weight (kg/pc.)	Dim. A [mm]	Dim. B [mm]	Dim. C [mm]
	784631	CZK 100B80-15	1	pcs.	1,43	100	80	320
784632	CZK 120B80-15	1	pcs.	1,62	120	80	340	
784633	CZK 150B80-15	1	pcs.	1,92	150	80	370	
784634	CZK 200B80-15	1	pcs.	2,47	200	80	420	
784635	CZK 250B80-15	1	pcs.	3,07	250	80	470	
784636	CZK 300B80-15	1	pcs.	3,74	300	80	520	
784637	CZK 400B80-15	1	pcs.	5,25	400	80	620	
784638	CZK 500B80-15	1	pcs.	7,00	500	80	720	
784639	CZK 600B80-15	1	pcs.	8,99	600	80	820	

CZK ...B80-20

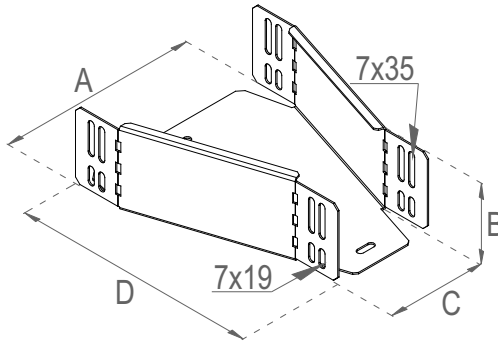
2,00	Cat. No.	Symbol		Jm	Weight (kg/pc.)	Dim. A [mm]	Dim. B [mm]	Dim. C [mm]
	786892	CZK 100B80-20	1	pcs.	1,91	100	80	320
786893	CZK 120B80-20	1	pcs.	2,16	120	80	340	
786894	CZK 150B80-20	1	pcs.	2,56	150	80	370	
786895	CZK 200B80-20	1	pcs.	3,29	200	80	420	
786896	CZK 250B80-20	1	pcs.	4,10	250	80	470	
786897	CZK 300B80-20	1	pcs.	4,98	300	80	520	
786898	CZK 400B80-20	1	pcs.	7,00	400	80	620	
786899	CZK 500B80-20	1	pcs.	9,34	500	80	720	
786900	CZK 600B80-20	1	pcs.	11,99	600	80	820	

HORIZONTAL SYMMETRIC REDUCTION

B80



I



Application:
Reducing width of cable routes.

Fitting elements:
Cover PRK

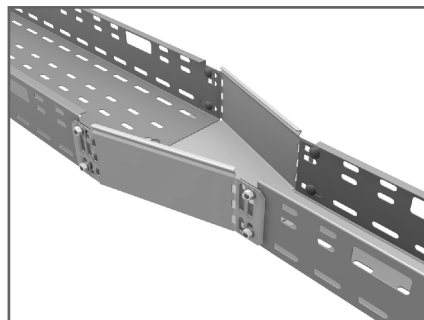
Material:
Steel galvanized by Sendzimir method (EN 10327)
On request: hot deep galvanized steel (EN ISO 1461),
stainless steel (AISI 304 or AISI 316), aluminum,
powder coating on each of RAL colours.

RK...B80-075

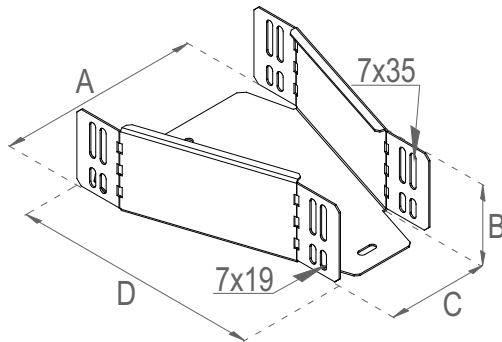
Cat. No.	Symbol		Jm	Weight [kg/pc.]	Dim. A [mm]	Dim. B [mm]	Dim. C [mm]	Dim. D [mm]
784755	RK 120/100B80-075	1	pcs.	0,35	123	83	103	200
784756	RK 150/100B80-075	1	pcs.	0,38	153	83	103	200
784757	RK 150/120B80-075	1	pcs.	0,38	153	83	123	200
784758	RK 200/100B80-075	1	pcs.	0,54	203	83	103	250
784759	RK 200/120B80-075	1	pcs.	0,54	203	83	123	250
784760	RK 200/150B80-075	1	pcs.	0,54	203	83	153	250
784761	RK 250/120B80-075	1	pcs.	0,60	253	83	123	250
784762	RK 250/150B80-075	1	pcs.	0,61	253	83	153	250
784763	RK 250/200B80-075	1	pcs.	0,62	253	83	203	250
784764	RK 300/150B80-075	1	pcs.	0,79	303	83	153	300
784765	RK 300/200B80-075	1	pcs.	0,81	303	83	203	300
784766	RK 300/250B80-075	1	pcs.	0,83	303	83	253	300

RK...B80-10

Cat. No.	Symbol		Jm	Weight [kg/pc.]	Dim. A [mm]	Dim. B [mm]	Dim. C [mm]	Dim. D [mm]
784867	RK 120/100B80-10	1	pcs.	0,46	123	83	103	200
784868	RK 150/100B80-10	1	pcs.	0,51	153	83	103	200
784869	RK 150/120B80-10	1	pcs.	0,51	153	83	123	200
784870	RK 200/100B80-10	1	pcs.	0,71	203	83	103	250
784871	RK 200/120B80-10	1	pcs.	0,72	203	83	123	250
784872	RK 200/150B80-10	1	pcs.	0,73	203	83	153	250
784873	RK 250/120B80-10	1	pcs.	0,81	253	83	123	250
784874	RK 250/150B80-10	1	pcs.	0,81	253	83	153	250
784875	RK 250/200B80-10	1	pcs.	0,83	253	83	203	250
784876	RK 300/150B80-10	1	pcs.	1,06	303	83	153	300
784877	RK 300/200B80-10	1	pcs.	1,08	303	83	203	300
784878	RK 300/250B80-10	1	pcs.	1,10	303	83	253	300
784879	RK 400/200B80-10	1	pcs.	1,28	403	83	203	300
784880	RK 400/250B80-10	1	pcs.	1,30	403	83	253	300
784881	RK 400/300B80-10	1	pcs.	1,32	403	83	303	300
784882	RK 500/400B80-10	1	pcs.	1,81	503	83	403	350
784883	RK 600/400B80-10	1	pcs.	2,02	603	83	403	350
784884	RK 600/500B80-10	1	pcs.	2,09	603	83	503	350



HORIZONTAL SYMMETRIC REDUCTION



Application:
Reducing width of cable routes.

Fitting elements:
Cover PRK

Material:
Steel galvanized by Sendzimir method (EN 10327)
On request: hot deep galvanized steel (EN ISO 1461),
stainless steel (AISI 304 or AISI 316), aluminum,
powder coating on each of RAL colours.

RK...B80-15								
Cat. No.	Symbol		Jm	Weight [kg/pc.]	Dim. A [mm]	Dim. B [mm]	Dim. C [mm]	Dim. D [mm]
784978	RK 120/100B80-15	1	pcs.	0,69	120	80	100	200
784979	RK 150/100B80-15	1	pcs.	0,76	150	80	100	200
784980	RK 150/120B80-15	1	pcs.	0,76	150	80	120	200
784981	RK 200/100B80-15	1	pcs.	1,07	200	80	100	250
784982	RK 200/120B80-15	1	pcs.	1,08	200	80	120	250
784983	RK 200/150B80-15	1	pcs.	1,09	200	80	150	250
784984	RK 250/120B80-15	1	pcs.	1,21	250	80	120	250
784985	RK 250/150B80-15	1	pcs.	1,22	250	80	150	250
784986	RK 250/200B80-15	1	pcs.	1,24	250	80	200	250
784987	RK 300/150B80-15	1	pcs.	1,59	300	80	150	300
784988	RK 300/200B80-15	1	pcs.	1,62	300	80	200	300
784989	RK 300/250B80-15	1	pcs.	1,66	300	80	250	300
784990	RK 400/200B80-15	1	pcs.	1,92	400	80	200	300
784991	RK 400/250B80-15	1	pcs.	1,95	400	80	250	300
784992	RK 400/300B80-15	1	pcs.	1,98	400	80	300	300
784993	RK 500/400B80-15	1	pcs.	2,71	500	80	400	350
784994	RK 600/400B80-15	1	pcs.	3,04	600	80	400	350
784995	RK 600/500B80-15	1	pcs.	3,13	600	80	500	350

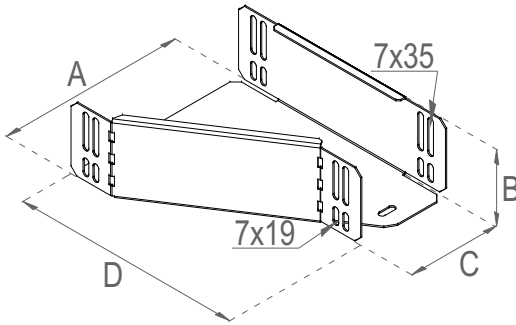
RK...B80-20								
Cat. No.	Symbol		Jm	Weight [kg/pc.]	Dim. A [mm]	Dim. B [mm]	Dim. C [mm]	Dim. D [mm]
786988	RK 120/100B80-20	1	pcs.	0,92	120	80	100	200
786989	RK 150/100B80-20	1	pcs.	1,02	150	80	100	200
786990	RK 150/120B80-20	1	pcs.	1,02	150	80	120	200
786991	RK 200/100B80-20	1	pcs.	1,43	200	80	100	250
786992	RK 200/120B80-20	1	pcs.	1,44	200	80	120	250
786993	RK 200/150B80-20	1	pcs.	1,45	200	80	150	250
786994	RK 250/120B80-20	1	pcs.	1,61	250	80	120	250
786995	RK 250/150B80-20	1	pcs.	1,63	250	80	150	250
786996	RK 250/200B80-20	1	pcs.	1,65	250	80	200	250
786997	RK 300/150B80-20	1	pcs.	2,12	300	80	150	300
786998	RK 300/200B80-20	1	pcs.	2,16	300	80	200	300
786999	RK 300/250B80-20	1	pcs.	2,21	300	80	250	300
787000	RK 400/200B80-20	1	pcs.	2,55	400	80	200	300
787001	RK 400/250B80-20	1	pcs.	2,60	400	80	250	300
787002	RK 400/300B80-20	1	pcs.	2,64	400	80	300	300
787003	RK 500/400B80-20	1	pcs.	3,62	500	80	400	350
787004	RK 600/400B80-20	1	pcs.	4,05	600	80	400	350
787005	RK 600/500B80-20	1	pcs.	4,18	600	80	500	350

HORIZONTAL REDUCTION - LEFT

B80



I



Application:
Reducing width of cable routes.

Fitting elements:
Cover PRKL

Material:
Steel galvanized by Sendzimir method (EN 10327)
On request: hot deep galvanized steel (EN ISO 1461),
stainless steel (AISI 304 or AISI 316), aluminum,
powder coating on each of RAL colours.

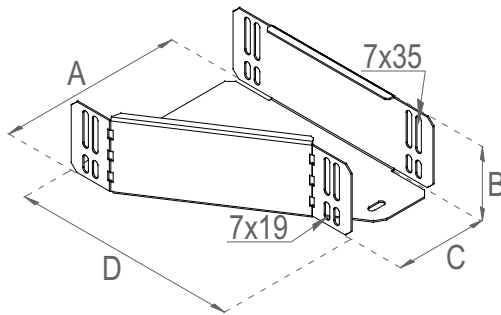
RKL ... B80-075

0,75	Cat. No.	Symbol		Jm	Weight [kg/pc.]	Dim. A [mm]	Dim. B [mm]	Dim. C [mm]	Dim. D [mm]
	787223	RKL 120/100B80-075	1	pcs.	0,35	123	83	103	200
787224	RKL 150/100B80-075	1	pcs.	0,38	153	83	103	200	
787225	RKL 150/120B80-075	1	pcs.	0,38	153	83	123	200	
787226	RKL 200/100B80-075	1	pcs.	0,54	203	83	103	250	
787227	RKL 200/120B80-075	1	pcs.	0,54	203	83	123	250	
787228	RKL 200/150B80-075	1	pcs.	0,54	203	83	153	250	
787229	RKL 250/120B80-075	1	pcs.	0,60	253	83	123	250	
787230	RKL 250/150B80-075	1	pcs.	0,61	253	83	153	250	
787231	RKL 250/200B80-075	1	pcs.	0,62	253	83	203	250	
787232	RKL 300/150B80-075	1	pcs.	0,79	303	83	153	300	
787233	RKL 300/200B80-075	1	pcs.	0,81	303	83	203	300	
787234	RKL 300/250B80-075	1	pcs.	0,83	303	83	253	300	

RKL ... B80-10

1,00	Cat. No.	Symbol		Jm	Weight [kg/pc.]	Dim. A [mm]	Dim. B [mm]	Dim. C [mm]	Dim. D [mm]
	787323	RKL 120/100B80-10	1	pcs.	0,46	123	83	103	200
787324	RKL 150/100B80-10	1	pcs.	0,51	153	83	103	200	
787325	RKL 150/120B80-10	1	pcs.	0,51	153	83	123	200	
787326	RKL 200/100B80-10	1	pcs.	0,71	203	83	103	250	
787327	RKL 200/120B80-10	1	pcs.	0,72	203	83	123	250	
787328	RKL 200/150B80-10	1	pcs.	0,73	203	83	153	250	
787329	RKL 250/120B80-10	1	pcs.	0,81	253	83	123	250	
787330	RKL 250/150B80-10	1	pcs.	0,81	253	83	153	250	
787331	RKL 250/200B80-10	1	pcs.	0,83	253	83	203	250	
787332	RKL 300/150B80-10	1	pcs.	1,06	303	83	153	300	
787333	RKL 300/200B80-10	1	pcs.	1,08	303	83	203	300	
787334	RKL 300/250B80-10	1	pcs.	1,10	303	83	253	300	
787335	RKL 400/200B80-10	1	pcs.	1,28	403	83	203	300	
787336	RKL 400/250B80-10	1	pcs.	1,30	403	83	253	300	
787337	RKL 400/300B80-10	1	pcs.	1,32	403	83	303	300	
787338	RKL 500/400B80-10	1	pcs.	1,81	503	83	403	350	
787339	RKL 600/400B80-10	1	pcs.	2,02	603	83	403	350	
787340	RKL 600/500B80-10	1	pcs.	2,09	603	83	503	350	


HORIZONTAL REDUCTION - LEFT



Application:
Reducing width of cable routes.

Fitting elements:
Cover PRKL

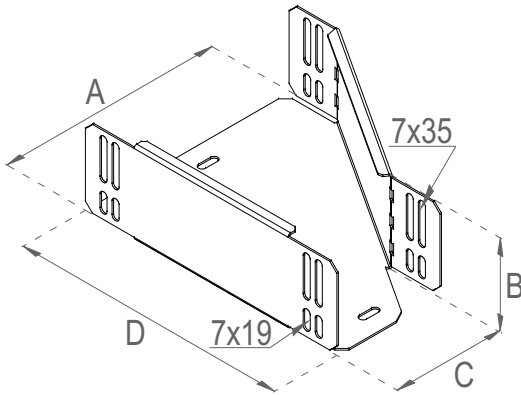
Material:
Steel galvanized by Sendzimir method (EN 10327)
On request: hot deep galvanized steel (EN ISO 1461),
stainless steel (AISI 304 or AISI 316), aluminum,
powder coating on each of RAL colours.

RKL . . . B80-15									
1,50	Cat. No.	Symbol		Jm	Weight (kg/pc.)	Dim. A [mm]	Dim. B [mm]	Dim. C [mm]	Dim. D [mm]
	787426	RKL 120/100B80-15	1	pcs.	0,69	120	80	100	200
	787427	RKL 150/100B80-15	1	pcs.	0,76	150	80	100	200
	787428	RKL 150/120B80-15	1	pcs.	0,76	150	80	120	200
	787429	RKL 200/100B80-15	1	pcs.	1,07	200	80	100	250
	787430	RKL 200/120B80-15	1	pcs.	1,08	200	80	120	250
	787431	RKL 200/150B80-15	1	pcs.	1,09	200	80	150	250
	787432	RKL 250/120B80-15	1	pcs.	1,21	250	80	120	250
	787433	RKL 250/150B80-15	1	pcs.	1,22	250	80	150	250
	787434	RKL 250/200B80-15	1	pcs.	1,24	250	80	200	250
	787435	RKL 300/150B80-15	1	pcs.	1,59	300	80	150	300
	787436	RKL 300/200B80-15	1	pcs.	1,62	300	80	200	300
	787437	RKL 300/250B80-15	1	pcs.	1,66	300	80	250	300
	787438	RKL 400/200B80-15	1	pcs.	1,92	400	80	200	300
	787439	RKL 400/250B80-15	1	pcs.	1,95	400	80	250	300
787440	RKL 400/300B80-15	1	pcs.	1,98	400	80	300	300	
787441	RKL 500/400B80-15	1	pcs.	2,71	500	80	400	350	
787442	RKL 600/400B80-15	1	pcs.	3,04	600	80	400	350	
787443	RKL 600/500B80-15	1	pcs.	3,13	600	80	500	350	

RKL . . . B80-20									
2,00	Cat. No.	Symbol		Jm	Weight (kg/pc.)	Dim. A [mm]	Dim. B [mm]	Dim. C [mm]	Dim. D [mm]
	787529	RKL 120/100B80-20	1	pcs.	0,92	120	80	100	200
	787530	RKL 150/100B80-20	1	pcs.	1,02	150	80	100	200
	787531	RKL 150/120B80-20	1	pcs.	1,02	150	80	120	200
	787532	RKL 200/100B80-20	1	pcs.	1,43	200	80	100	250
	787533	RKL 200/120B80-20	1	pcs.	1,44	200	80	120	250
	787534	RKL 200/150B80-20	1	pcs.	1,45	200	80	150	250
	787535	RKL 250/120B80-20	1	pcs.	1,61	250	80	120	250
	787536	RKL 250/150B80-20	1	pcs.	1,63	250	80	150	250
	787537	RKL 250/200B80-20	1	pcs.	1,65	250	80	200	250
	787538	RKL 300/150B80-20	1	pcs.	2,12	300	80	150	300
	787539	RKL 300/200B80-20	1	pcs.	2,16	300	80	200	300
	787540	RKL 300/250B80-20	1	pcs.	2,21	300	80	250	300
	787541	RKL 400/200B80-20	1	pcs.	2,55	400	80	200	300
	787542	RKL 400/250B80-20	1	pcs.	2,60	400	80	250	300
787543	RKL 400/300B80-20	1	pcs.	2,64	400	80	300	300	
787544	RKL 500/400B80-20	1	pcs.	3,62	500	80	400	350	
787545	RKL 600/400B80-20	1	pcs.	4,05	600	80	400	350	
787546	RKL 600/500B80-20	1	pcs.	4,18	600	80	500	350	

HORIZONTAL REDUCTION - RIGHT

B80



Application:
Reducing width of cable routes.

Fitting elements:
Cover PRKP

Material:
Steel galvanized by Sendzimir method (EN 10327)
On request: hot deep galvanized steel (EN ISO 1461),
stainless steel (AISI 304 or AISI 316), aluminum,
powder coating on each of RAL colours.

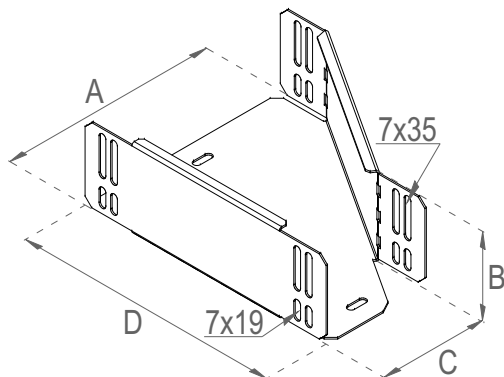
RKP...B80-075

Cat. No.	Symbol	Jm	Weight [kg/pc.]	Dim. A [mm]	Dim. B [mm]	Dim. C [mm]	Dim. D [mm]
787743	RKP 120/100B80-075	1	0.35	123	83	103	200
787744	RKP 150/100B80-075	1	0.38	153	83	103	200
787745	RKP 150/120B80-075	1	0.38	153	83	123	200
787746	RKP 200/100B80-075	1	0.54	203	83	103	250
787747	RKP 200/120B80-075	1	0.54	203	83	123	250
787748	RKP 200/150B80-075	1	0.54	203	83	153	250
787749	RKP 250/120B80-075	1	0.60	253	83	123	250
787750	RKP 250/150B80-075	1	0.61	253	83	153	250
787751	RKP 250/200B80-075	1	0.62	253	83	203	250
787752	RKP 300/150B80-075	1	0.79	303	83	153	300
787753	RKP 300/200B80-075	1	0.81	303	83	203	300
787754	RKP 300/250B80-075	1	0.83	303	83	253	300

RKP...B80-10

Cat. No.	Symbol	Jm	Weight [kg/pc.]	Dim. A [mm]	Dim. B [mm]	Dim. C [mm]	Dim. D [mm]
787843	RKP 120/100B80-10	1	0.46	123	83	103	200
787844	RKP 150/100B80-10	1	0.51	153	83	103	200
787845	RKP 150/120B80-10	1	0.51	153	83	123	200
787846	RKP 200/100B80-10	1	0.71	203	83	103	250
787847	RKP 200/120B80-10	1	0.72	203	83	123	250
787848	RKP 200/150B80-10	1	0.73	203	83	153	250
787849	RKP 250/120B80-10	1	0.81	253	83	123	250
787850	RKP 250/150B80-10	1	0.81	253	83	153	250
787851	RKP 250/200B80-10	1	0.83	253	83	203	250
787852	RKP 300/150B80-10	1	1.06	303	83	153	300
787853	RKP 300/200B80-10	1	1.08	303	83	203	300
787854	RKP 300/250B80-10	1	1.10	303	83	253	300
787855	RKP 400/200B80-10	1	1.28	403	83	203	300
787856	RKP 400/250B80-10	1	1.30	403	83	253	300
787857	RKP 400/300B80-10	1	1.32	403	83	303	300
787858	RKP 500/400B80-10	1	1.81	503	83	403	350
787859	RKP 600/400B80-10	1	2.02	603	83	403	350
787860	RKP 600/500B80-10	1	2.09	603	83	503	350

HORIZONTAL REDUCTION - RIGHT



Application:
Reducing width of cable routes.

Fiting elements:
Cover PRKP

Material:
Steel galvanized by Sendzimir method (EN 10327)
On request: hot deep galvanized steel (EN ISO 1461),
stainless steel (AISI 304 or AISI 316), aluminum,
powder coating on each of RAL colours.

RKP ... B80-15

Cat. No.	Symbol	Jm	Weight [kg/pc.]	Dim.			
				A [mm]	B [mm]	C [mm]	D [mm]
787946	RKP 120/100B80-15	1 pcs.	0.69	120	80	100	200
787947	RKP 150/100B80-15	1 pcs.	0.76	150	80	100	200
787948	RKP 150/120B80-15	1 pcs.	0.76	150	80	120	200
787949	RKP 200/100B80-15	1 pcs.	1.07	200	80	100	250
787950	RKP 200/120B80-15	1 pcs.	1.08	200	80	120	250
787951	RKP 200/150B80-15	1 pcs.	1.09	200	80	150	250
787952	RKP 250/120B80-15	1 pcs.	1.21	250	80	120	250
787953	RKP 250/150B80-15	1 pcs.	1.22	250	80	150	250
787954	RKP 250/200B80-15	1 pcs.	1.24	250	80	200	250
787955	RKP 300/150B80-15	1 pcs.	1.59	300	80	150	300
787956	RKP 300/200B80-15	1 pcs.	1.62	300	80	200	300
787957	RKP 300/250B80-15	1 pcs.	1.66	300	80	250	300
787958	RKP 400/200B80-15	1 pcs.	1.92	400	80	200	300
787959	RKP 400/250B80-15	1 pcs.	1.95	400	80	250	300
787960	RKP 400/300B80-15	1 pcs.	1.98	400	80	300	300
787961	RKP 500/400B80-15	1 pcs.	2.71	500	80	400	350
787962	RKP 600/400B80-15	1 pcs.	3.04	600	80	400	350
787963	RKP 600/500B80-15	1 pcs.	3.13	600	80	500	350

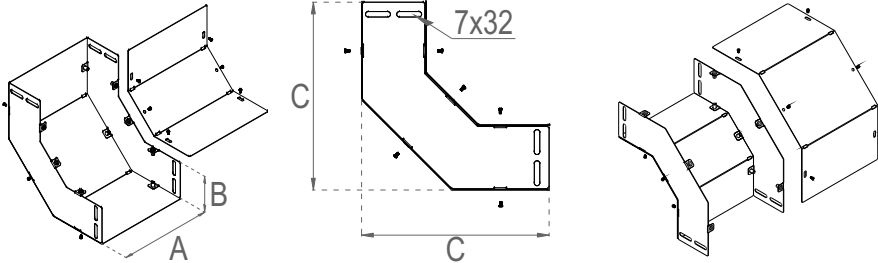
1,50

RKP ... B80-20

Cat. No.	Symbol	Jm	Weight [kg/pc.]	Dim.			
				A [mm]	B [mm]	C [mm]	D [mm]
788049	RKP 120/100B80-20	1 pcs.	0.92	120	80	100	200
788050	RKP 150/100B80-20	1 pcs.	1.02	150	80	100	200
788051	RKP 150/120B80-20	1 pcs.	1.02	150	80	120	200
788052	RKP 200/100B80-20	1 pcs.	1.43	200	80	100	250
788053	RKP 200/120B80-20	1 pcs.	1.44	200	80	120	250
788054	RKP 200/150B80-20	1 pcs.	1.45	200	80	150	250
788055	RKP 250/120B80-20	1 pcs.	1.61	250	80	120	250
788056	RKP 250/150B80-20	1 pcs.	1.63	250	80	150	250
788057	RKP 250/200B80-20	1 pcs.	1.65	250	80	200	250
788058	RKP 300/150B80-20	1 pcs.	2.12	300	80	150	300
788059	RKP 300/200B80-20	1 pcs.	2.16	300	80	200	300
788060	RKP 300/250B80-20	1 pcs.	2.21	300	80	250	300
788061	RKP 400/200B80-20	1 pcs.	2.55	400	80	200	300
788062	RKP 400/250B80-20	1 pcs.	2.60	400	80	250	300
788063	RKP 400/300B80-20	1 pcs.	2.64	400	80	300	300
788064	RKP 500/400B80-20	1 pcs.	3.62	500	80	400	350
788065	RKP 600/400B80-20	1 pcs.	4.05	600	80	400	350
788066	RKP 600/500B80-20	1 pcs.	4.18	600	80	500	350

2,00

B80



LZWK ...B80-075

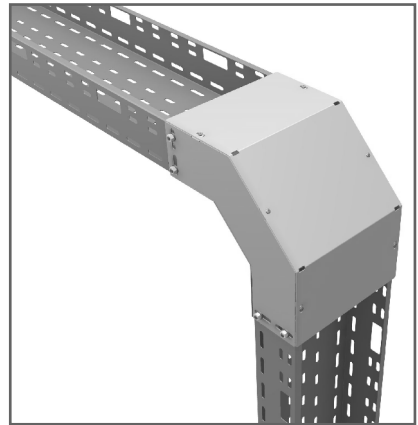
0,75	Cat. No.	Symbol		Jm	Weight [kg/pc.]	Dim. A [mm]	Dim. B [mm]	Dim. C [mm]
	785277	LZWK 100B80-075		1	pcs.	0,94	103	83
785278	LZWK 120B80-075		1	pcs.	1,03	123	83	241
785279	LZWK 150B80-075		1	pcs.	1,18	153	83	241
785280	LZWK 200B80-075		1	pcs.	1,42	203	83	241
785281	LZWK 250B80-075		1	pcs.	1,66	253	83	241
785282	LZWK 300B80-075		1	pcs.	1,90	303	83	241

Application:
Vertical change of direction of cable routes.

Material:
Steel galvanized by Sendzimir method (EN 10327)
On request: hot deep galvanized steel (EN ISO 1461),
stainless steel (AISI 304 or AISI 316), aluminum,
powder coating on each of RAL colours.

LZWK ...B80-10

1,00	Cat. No.	Symbol		Jm	Weight [kg/pc.]	Dim. A [mm]	Dim. B [mm]	Dim. C [mm]
	785327	LZWK 100B80-10		1	pcs.	1,25	103	83
785328	LZWK 120B80-10		1	pcs.	1,38	123	83	241
785329	LZWK 150B80-10		1	pcs.	1,57	153	83	241
785330	LZWK 200B80-10		1	pcs.	1,89	203	83	241
785331	LZWK 250B80-10		1	pcs.	2,21	253	83	241
785332	LZWK 300B80-10		1	pcs.	2,53	303	83	241
785333	LZWK 400B80-10		1	pcs.	3,17	403	83	241
785334	LZWK 500B80-10		1	pcs.	3,80	503	83	241
785335	LZWK 600B80-10		1	pcs.	4,44	603	83	241



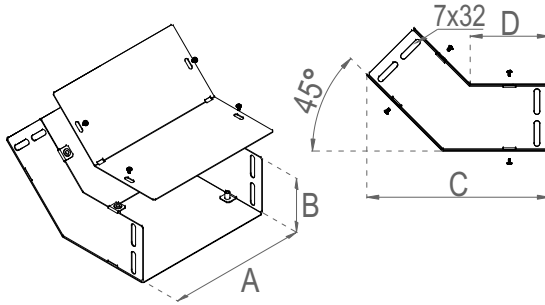
LZWK ...B80-15

1,50	Cat. No.	Symbol		Jm	Weight [kg/pc.]	Dim. A [mm]	Dim. B [mm]	Dim. C [mm]
	785377	LZWK 100B80-15		1	pcs.	1,88	103	80
785378	LZWK 120B80-15		1	pcs.	2,07	123	80	241
785379	LZWK 150B80-15		1	pcs.	2,36	153	80	241
785380	LZWK 200B80-15		1	pcs.	2,83	203	80	241
785381	LZWK 250B80-15		1	pcs.	3,31	253	80	241
785382	LZWK 300B80-15		1	pcs.	3,79	303	80	241
785383	LZWK 400B80-15		1	pcs.	4,75	403	80	241
785384	LZWK 500B80-15		1	pcs.	5,71	503	80	241
785385	LZWK 600B80-15		1	pcs.	6,66	603	80	241

LZWK ...B80-20

2,00	Cat. No.	Symbol		Jm	Weight [kg/pc.]	Dim. A [mm]	Dim. B [mm]	Dim. C [mm]
	787129	LZWK 100B80-20		1	pcs.	2,50	104	80
787130	LZWK 120B80-20		1	pcs.	2,76	124	80	241
787131	LZWK 150B80-20		1	pcs.	3,14	154	80	241
787132	LZWK 200B80-20		1	pcs.	3,78	204	80	241
787133	LZWK 250B80-20		1	pcs.	4,42	254	80	241
787134	LZWK 300B80-20		1	pcs.	5,06	304	80	241
787135	LZWK 400B80-20		1	pcs.	6,33	404	80	241
787136	LZWK 500B80-20		1	pcs.	7,61	504	80	241
787137	LZWK 600B80-20		1	pcs.	8,89	604	80	241

VERTICAL BEND 45°



Application:
Vertical change of direction of cable routes.

Material:
Steel galvanized by Sendzimir method (EN 10327)
On request: hot deep galvanized steel (EN ISO 1461), stainless steel (AISI 304 or AISI 316), aluminum, powder coating on each of RAL colours.

LZWK45 . . . B80-10

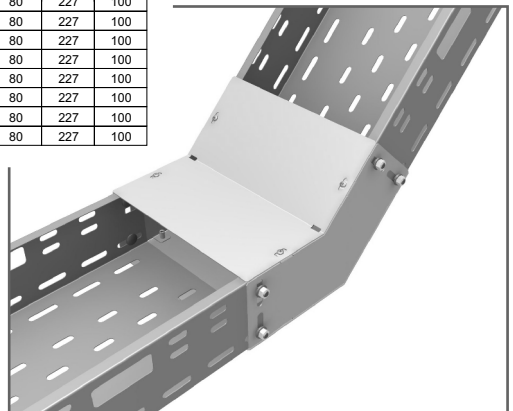
1,00	Cat. No.	Symbol		Jm	Weight [kg/pc.]	Dim. A [mm]	Dim. B [mm]	Dim. C [mm]	Dim. D [mm]
	788441	LZWK45 100B80-10	1	pcs.	0,75	103	83	227	100
	788442	LZWK45 120B80-10	1	pcs.	0,82	123	83	227	100
	788443	LZWK45 150B80-10	1	pcs.	0,93	153	83	227	100
	788444	LZWK45 200B80-10	1	pcs.	1,11	203	83	227	100
	788445	LZWK45 250B80-10	1	pcs.	1,29	253	83	227	100
	788446	LZWK45 300B80-10	1	pcs.	1,47	303	83	227	100
	788447	LZWK45 400B80-10	1	pcs.	1,84	403	83	227	100
	788448	LZWK45 500B80-10	1	pcs.	2,20	503	83	227	100
	788449	LZWK45 600B80-10	1	pcs.	2,56	603	83	227	100

LZWK45 . . . B80-15

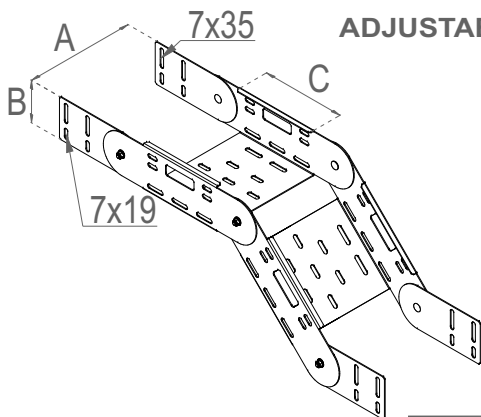
1,50	Cat. No.	Symbol		Jm	Weight [kg/pc.]	Dim. A [mm]	Dim. B [mm]	Dim. C [mm]	Dim. D [mm]
	788489	LZWK45 100B80-15	1	pcs.	1,12	100	80	227	100
	788490	LZWK45 120B80-15	1	pcs.	1,23	120	80	227	100
	788491	LZWK45 150B80-15	1	pcs.	1,39	150	80	227	100
	788492	LZWK45 200B80-15	1	pcs.	1,67	200	80	227	100
	788493	LZWK45 250B80-15	1	pcs.	1,94	250	80	227	100
	788494	LZWK45 300B80-15	1	pcs.	2,21	300	80	227	100
	788495	LZWK45 400B80-15	1	pcs.	2,76	400	80	227	100
	788496	LZWK45 500B80-15	1	pcs.	3,30	500	80	227	100
	788497	LZWK45 600B80-15	1	pcs.	3,85	600	80	227	100

LZWK45 . . . B80-20

2,00	Cat. No.	Symbol		Jm	Weight [kg/pc.]	Dim. A [mm]	Dim. B [mm]	Dim. C [mm]	Dim. D [mm]
	788537	LZWK45 100B80-20	1	pcs.	1,50	100	80	227	100
	788538	LZWK45 120B80-20	1	pcs.	1,64	120	80	227	100
	788539	LZWK45 150B80-20	1	pcs.	1,86	150	80	227	100
	788540	LZWK45 200B80-20	1	pcs.	2,22	200	80	227	100
	788541	LZWK45 250B80-20	1	pcs.	2,59	250	80	227	100
	788542	LZWK45 300B80-20	1	pcs.	2,95	300	80	227	100
	788543	LZWK45 400B80-20	1	pcs.	3,68	400	80	227	100
	788544	LZWK45 500B80-20	1	pcs.	4,40	500	80	227	100
	788545	LZWK45 600B80-20	1	pcs.	5,13	600	80	227	100



ADJUSTABLE VERTICAL BEND



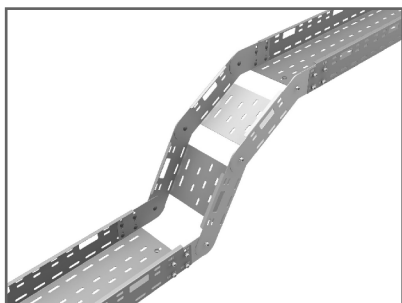
B80



Application:
Vertical change of direction of cable routes.

Fitting elements:
Cover PK

Material:
Steel galvanized by Sendzimir method (EN 10327)
On request: hot deep galvanized steel (EN ISO 1461), stainless steel (AISI 304 or AISI 316), aluminum, powder coating on each of RAL colours.



LUP . . . B80-075

Cat. No.	Symbol	Jm	Weight [kg/pc.]	Dim. A [mm]		Dim. B [mm]	Dim. C [mm]
				A	B		
788829	LUP 100B80-075	1 pcs.	0,97	100	80	150	
788830	LUP 120B80-075	1 pcs.	1,00	120	80	150	
788831	LUP 150B80-075	1 pcs.	1,05	150	80	150	
788832	LUP 200B80-075	1 pcs.	1,13	200	80	150	
788833	LUP 250B80-075	1 pcs.	1,22	250	80	150	
788834	LUP 300B80-075	1 pcs.	1,30	300	80	150	

LUP . . . B80-10

Cat. No.	Symbol	Jm	Weight [kg/pc.]	Dim. A [mm]		Dim. B [mm]	Dim. C [mm]
				A	B		
788873	LUP 100B80-10	1 pcs.	1,30	100	80	150	
788874	LUP 120B80-10	1 pcs.	1,34	120	80	150	
788875	LUP 150B80-10	1 pcs.	1,40	150	80	150	
788876	LUP 200B80-10	1 pcs.	1,51	200	80	150	
788877	LUP 250B80-10	1 pcs.	1,62	250	80	150	
788878	LUP 300B80-10	1 pcs.	1,73	300	80	150	
788879	LUP 400B80-10	1 pcs.	1,94	400	80	150	
788880	LUP 500B80-10	1 pcs.	2,16	500	80	150	
788881	LUP 600B80-10	1 pcs.	2,38	600	80	150	

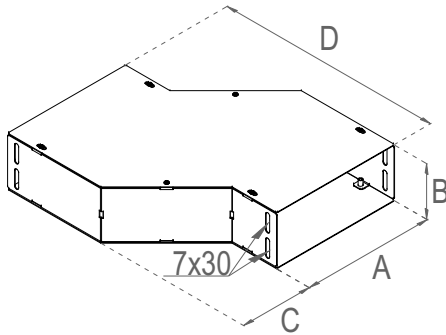
LUP . . . B80-15

Cat. No.	Symbol	Jm	Weight [kg/pc.]	Dim. A [mm]		Dim. B [mm]	Dim. C [mm]
				A	B		
788921	LUP 100B80-15	1 pcs.	1,94	100	80	150	
788922	LUP 120B80-15	1 pcs.	2,01	120	80	150	
788923	LUP 150B80-15	1 pcs.	2,11	150	80	150	
788924	LUP 200B80-15	1 pcs.	2,27	200	80	150	
788925	LUP 250B80-15	1 pcs.	2,43	250	80	150	
788926	LUP 300B80-15	1 pcs.	2,59	300	80	150	
788927	LUP 400B80-15	1 pcs.	2,92	400	80	150	
788928	LUP 500B80-15	1 pcs.	3,24	500	80	150	
788929	LUP 600B80-15	1 pcs.	3,56	600	80	150	

LUP . . . B80-20

Cat. No.	Symbol	Jm	Weight [kg/pc.]	Dim. A [mm]		Dim. B [mm]	Dim. C [mm]
				A	B		
788969	LUP 100B80-20	1 pcs.	2,59	100	80	150	
788970	LUP 120B80-20	1 pcs.	2,68	120	80	150	
788971	LUP 150B80-20	1 pcs.	2,81	150	80	150	
788972	LUP 200B80-20	1 pcs.	3,02	200	80	150	
788973	LUP 250B80-20	1 pcs.	3,24	250	80	150	
788974	LUP 300B80-20	1 pcs.	3,46	300	80	150	
788975	LUP 400B80-20	1 pcs.	3,89	400	80	150	
788976	LUP 500B80-20	1 pcs.	4,32	500	80	150	
788977	LUP 600B80-20	1 pcs.	4,75	600	80	150	

HORIZONTAL BY-PASS



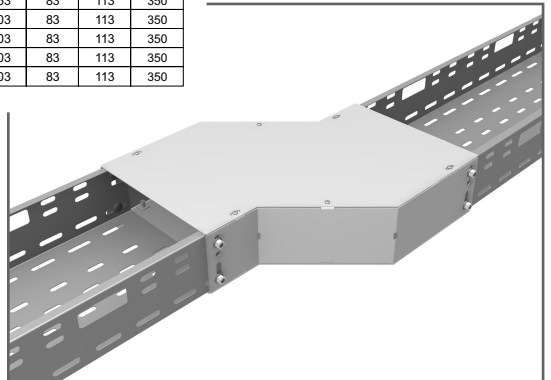
Application:
Horizontal change of direction of cable routes.

Material:
Steel galvanized by Sendzimir method (EN 10327)
On request: hot deep galvanized steel (EN ISO 1461),
stainless steel (AISI 304 or AISI 316), aluminum,
powder coating on each of RAL colours.

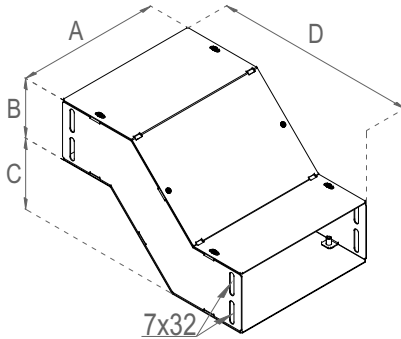
OBH ...B80-10									
1,00	Cat. No.	Symbol		Jm	Weight [kg/pc.]	Dim. A [mm]	Dim. B [mm]	Dim. C [mm]	Dim. D [mm]
	788692	OBH 100B80-10	1	pcs.	1,09	103	83	113	350
	788693	OBH 120B80-10	1	pcs.	1,22	123	83	113	350
	788694	OBH 150B80-10	1	pcs.	1,40	153	83	113	350
	788695	OBH 200B80-10	1	pcs.	1,70	203	83	113	350
	788696	OBH 250B80-10	1	pcs.	2,01	253	83	113	350
	788697	OBH 300B80-10	1	pcs.	2,31	303	83	113	350
	788698	OBH 400B80-10	1	pcs.	2,92	403	83	113	350
	788699	OBH 500B80-10	1	pcs.	3,53	503	83	113	350
	788700	OBH 600B80-10	1	pcs.	4,13	603	83	113	350

OBH ...B80-15									
1,50	Cat. No.	Symbol		Jm	Weight [kg/pc.]	Dim. A [mm]	Dim. B [mm]	Dim. C [mm]	Dim. D [mm]
	788740	OBH 100B80-15	1	pcs.	1,64	103	83	113	350
	788741	OBH 120B80-15	1	pcs.	1,82	123	83	113	350
	788742	OBH 150B80-15	1	pcs.	2,10	153	83	113	350
	788743	OBH 200B80-15	1	pcs.	2,55	203	83	113	350
	788744	OBH 250B80-15	1	pcs.	3,01	253	83	113	350
	788745	OBH 300B80-15	1	pcs.	3,47	303	83	113	350
	788746	OBH 400B80-15	1	pcs.	4,38	403	83	113	350
	788747	OBH 500B80-15	1	pcs.	5,29	503	83	113	350
	788748	OBH 600B80-15	1	pcs.	6,20	603	83	113	350

OBH ...B80-20									
2,00	Cat. No.	Symbol		Jm	Weight [kg/pc.]	Dim. A [mm]	Dim. B [mm]	Dim. C [mm]	Dim. D [mm]
	788788	OBH 100B80-20	1	pcs.	2,19	103	83	113	350
	788789	OBH 120B80-20	1	pcs.	2,43	123	83	113	350
	788790	OBH 150B80-20	1	pcs.	2,80	153	83	113	350
	788791	OBH 200B80-20	1	pcs.	3,40	203	83	113	350
	788792	OBH 250B80-20	1	pcs.	4,01	253	83	113	350
	788793	OBH 300B80-20	1	pcs.	4,62	303	83	113	350
	788794	OBH 400B80-20	1	pcs.	5,84	403	83	113	350
	788795	OBH 500B80-20	1	pcs.	7,05	503	83	113	350
	788796	OBH 600B80-20	1	pcs.	8,27	603	83	113	350



B80



Application:
Vertical change of direction of cable routes.

Material:
Steel galvanized by Sendzimir method (EN 10327)
On request: hot deep galvanized steel (EN ISO 1461), stainless steel (AISI 304 or AISI 316), aluminum, powder coating on each of RAL colours.

OBV...B80-10

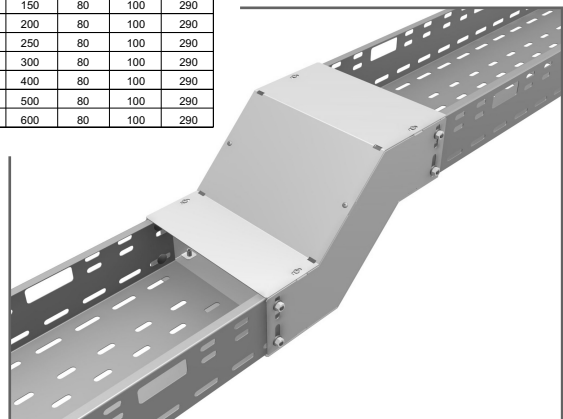
1,00	Cat. No.	Symbol		Jm	Weight [kg/pc.]	Dim. A [mm]	Dim. B [mm]	Dim. C [mm]	Dim. D [mm]
	789353	OBV 100B80-10	1	pcs.	0,73	103	83	100	300
	789354	OBV 120B80-10	1	pcs.	0,78	123	83	100	300
	789355	OBV 150B80-10	1	pcs.	0,87	153	83	100	300
	789356	OBV 200B80-10	1	pcs.	1,01	203	83	100	300
	789357	OBV 250B80-10	1	pcs.	1,15	253	83	100	300
	789358	OBV 300B80-10	1	pcs.	1,29	303	83	100	300
	789359	OBV 400B80-10	1	pcs.	1,57	403	83	100	300
	789360	OBV 500B80-10	1	pcs.	1,85	503	83	100	300
	789361	OBV 600B80-10	1	pcs.	2,13	603	83	100	300

OBV...B80-15

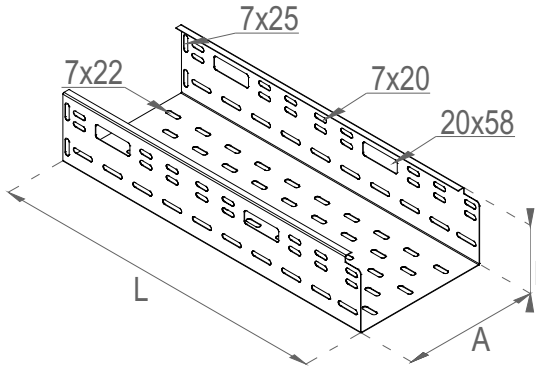
1,50	Cat. No.	Symbol		Jm	Weight [kg/pc.]	Dim. A [mm]	Dim. B [mm]	Dim. C [mm]	Dim. D [mm]
	789401	OBV 100B80-15	1	pcs.	1,09	100	80	100	290
	789402	OBV 120B80-15	1	pcs.	1,18	120	80	100	290
	789403	OBV 150B80-15	1	pcs.	1,30	150	80	100	290
	789404	OBV 200B80-15	1	pcs.	1,51	200	80	100	290
	789405	OBV 250B80-15	1	pcs.	1,72	250	80	100	290
	789406	OBV 300B80-15	1	pcs.	1,93	300	80	100	290
	789407	OBV 400B80-15	1	pcs.	2,35	400	80	100	290
	789408	OBV 500B80-15	1	pcs.	2,77	500	80	100	290
	789409	OBV 600B80-15	1	pcs.	3,19	600	80	100	290

OBV...B80-20

2,00	Cat. No.	Symbol		Jm	Weight [kg/pc.]	Dim. A [mm]	Dim. B [mm]	Dim. C [mm]	Dim. D [mm]
	789449	OBV 100B80-20	1	pcs.	1,46	100	80	100	290
	789450	OBV 120B80-20	1	pcs.	1,57	120	80	100	290
	789451	OBV 150B80-20	1	pcs.	1,74	150	80	100	290
	789452	OBV 200B80-20	1	pcs.	2,02	200	80	100	290
	789453	OBV 250B80-20	1	pcs.	2,30	250	80	100	290
	789454	OBV 300B80-20	1	pcs.	2,58	300	80	100	290
	789455	OBV 400B80-20	1	pcs.	3,14	400	80	100	290
	789456	OBV 500B80-20	1	pcs.	3,70	500	80	100	290
	789457	OBV 600B80-20	1	pcs.	4,26	600	80	100	290




PERFORATED TRAY

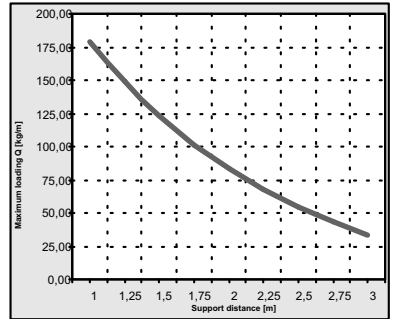



Application:
Cable routing
Connectorfree assembly
For assembly use 6 sets of SGNKK M6x10.

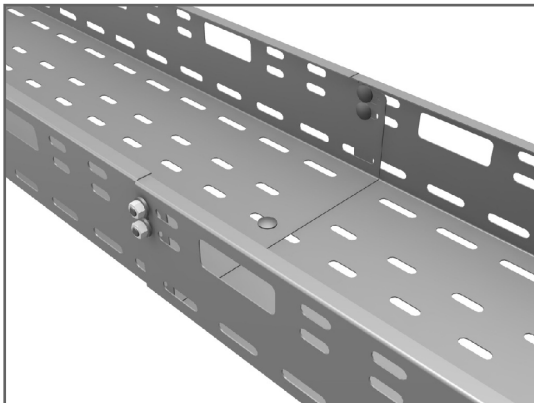
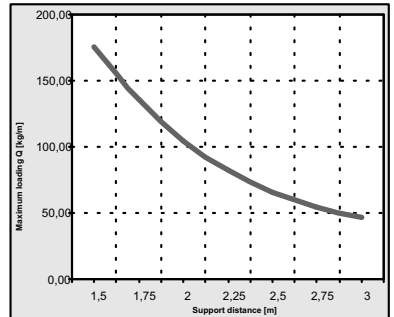
Fitting elements:
Covers PK i PKZM, connectors LKBZ, LKK, LPK, LUK, partition PDK.

Material:
Steel galvanized by Sendzimir method (EN 10327)
On request: hot deep galvanized steel (EN ISO 1461), stainless steel (AISI 304 or AISI 316), aluminum, powder coating on each of RAL colours.

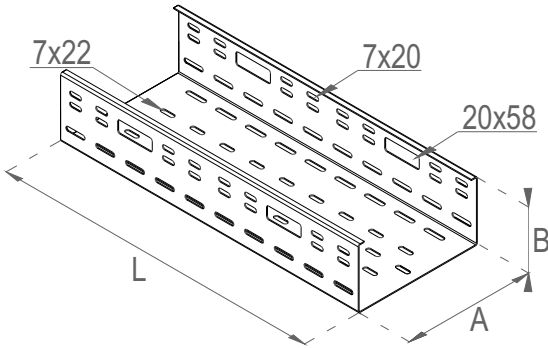
KP...B100-075								
0,75	Cat. No.	Symbol		Jm	Weight [kg/m]	Dim. A [mm]	Dim. B [mm]	Dim. L [mm]
	783827	KP 100B100-075	3	mb	1,70	100	100	3000
	783828	KP 150B100-075	3	mb	1,97	150	100	3000
	783829	KP 200B100-075	3	mb	2,24	200	100	3000
	783830	KP 250B100-075	3	mb	2,53	250	100	3000
	783831	KP 300B100-075	3	mb	2,84	300	100	3000
	783832	KP 400B100-075	3	mb	3,46	400	100	3000
	783833	KP 500B100-075	3	mb	4,07	500	100	3000
	783834	KP 600B100-075	3	mb	4,74	600	100	3000



KP...B100-10								
1,00	Cat. No.	Symbol		Jm	Weight [kg/m]	Dim. A [mm]	Dim. B [mm]	Dim. L [mm]
	783876	KP 100B100-10	3	mb	2,25	100	100	3000
	783877	KP 150B100-10	3	mb	2,61	150	100	3000
	783878	KP 200B100-10	3	mb	2,97	200	100	3000
	783879	KP 250B100-10	3	mb	3,36	250	100	3000
	783880	KP 300B100-10	3	mb	3,77	300	100	3000
	783881	KP 400B100-10	3	mb	4,60	400	100	3000
	783882	KP 500B100-10	3	mb	5,41	500	100	3000
	783883	KP 600B100-10	3	mb	6,30	600	100	3000



B100



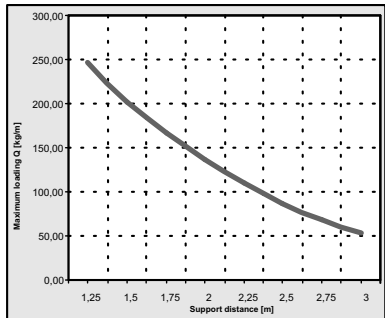
Application:
Cable routing

Fitting elements:
Covers PK i PKZM, connectors LKBZ, LKK, LPK, LUK, partition PDK.

Material:
Steel galvanized by Sendzimir method (EN 10327)
On request: hot deep galvanized steel (EN ISO 1461), stainless steel (AISI 304 or AISI 316), aluminum, powder coating on each of RAL colours.

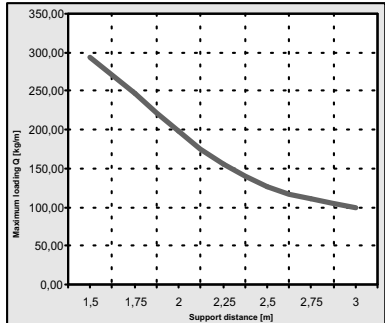
KP...B100-12

1,20	Cat. No.	Symbol		Jm	Weight [kg/m]	Dim. A [mm]	Dim. B [mm]	Dim. L [mm]
	789724	KP 100B100-12	3	mb	2,68	100	100	3000
	789725	KP 150B100-12	3	mb	3,11	150	100	3000
	789726	KP 200B100-12	3	mb	3,55	200	100	3000
	789727	KP 250B100-12	3	mb	4,02	250	100	3000
	789728	KP 300B100-12	3	mb	4,51	300	100	3000
	789729	KP 400B100-12	3	mb	5,51	400	100	3000
	789730	KP 500B100-12	3	mb	6,48	500	100	3000
	789731	KP 600B100-12	3	mb	7,55	600	100	3000



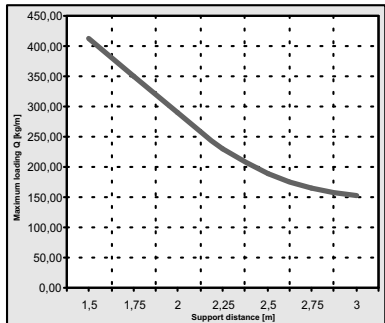
KP...B100-15

1,50	Cat. No.	Symbol		Jm	Weight [kg/m]	Dim. A [mm]	Dim. B [mm]	Dim. L [mm]
	783922	KP 100B100-15	3	mb	3,33	100	100	3000
	783923	KP 150B100-15	3	mb	3,87	150	100	3000
	783924	KP 200B100-15	3	mb	4,41	200	100	3000
	783925	KP 250B100-15	3	mb	5,00	250	100	3000
	783926	KP 300B100-15	3	mb	5,61	300	100	3000
	783927	KP 400B100-15	3	mb	6,86	400	100	3000
	783928	KP 500B100-15	3	mb	8,07	500	100	3000
	783929	KP 600B100-15	3	mb	9,41	600	100	3000

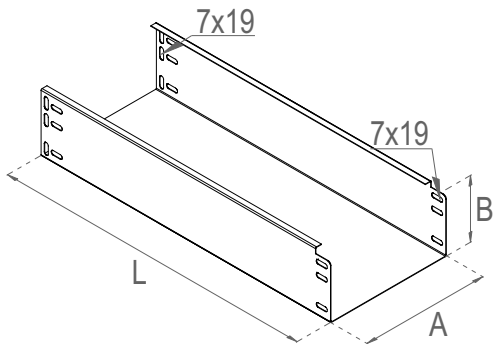


KP...B100-20

2,00	Cat. No.	Symbol		Jm	Weight [kg/m]	Dim. A [mm]	Dim. B [mm]	Dim. L [mm]
	786717	KP 100B100-20	3	mb	4,38	100	100	3000
	786718	KP 150B100-20	3	mb	5,10	150	100	3000
	786719	KP 200B100-20	3	mb	5,82	200	100	3000
	786720	KP 250B100-20	3	mb	6,61	250	100	3000
	786721	KP 300B100-20	3	mb	7,42	300	100	3000
	786722	KP 400B100-20	3	mb	9,08	400	100	3000
	786723	KP 500B100-20	3	mb	10,70	500	100	3000
	786724	KP 600B100-20	3	mb	12,48	600	100	3000



TRAY WITHOUT PERFORATION



Application:
Cable routing
Connectorfree assembly
For assembly use 4 sets of SGNKK M6x10.

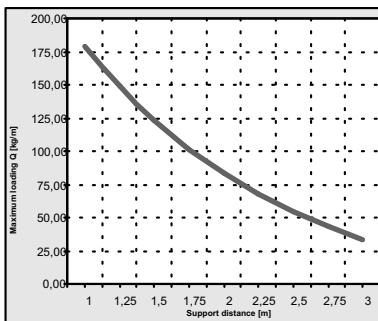
Fitting elements:
Covers PK i PKZM, connectors LKBZ, LKK, LPK, LUK, partition PDK.

Material:
Steel galvanized by Sendzimir method (EN 10327)
On request: hot deep galvanized steel (EN ISO 1461), stainless steel (AISI 304 or AISI 316), aluminum, powder coating on each of RAL colours.

KB ... B100-075

Cat. No.	Symbol	Image	Jm	Weight [kg/m]	Dim.		Dim. L [mm]
					A [mm]	B [mm]	
783995	KB 100B100-075		3 mb	1,88	100	100	3000
783996	KB 150B100-075		3 mb	2,18	150	100	3000
783997	KB 200B100-075		3 mb	2,48	200	100	3000
783998	KB 250B100-075		3 mb	2,78	250	100	3000
783999	KB 300B100-075		3 mb	3,08	300	100	3000
784000	KB 400B100-075		3 mb	3,68	400	100	3000
784001	KB 500B100-075		3 mb	4,28	500	100	3000
784002	KB 600B100-075		3 mb	4,88	600	100	3000

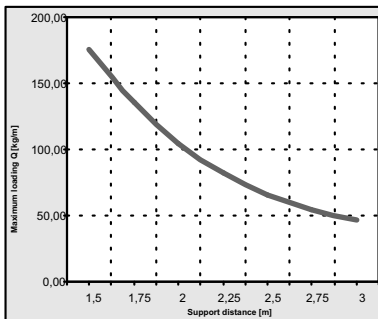
0,75



KB ... B100-10

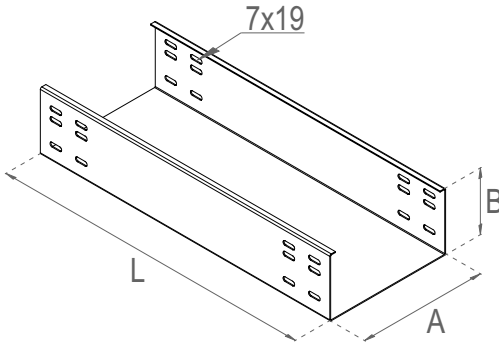
Cat. No.	Symbol	Image	Jm	Weight [kg/m]	Dim.		Dim. L [mm]
					A [mm]	B [mm]	
784044	KB 100B100-10		3 mb	2,50	100	100	3000
784045	KB 150B100-10		3 mb	2,90	150	100	3000
784046	KB 200B100-10		3 mb	3,30	200	100	3000
784047	KB 250B100-10		3 mb	3,70	250	100	3000
784048	KB 300B100-10		3 mb	4,10	300	100	3000
784049	KB 400B100-10		3 mb	4,90	400	100	3000
784050	KB 500B100-10		3 mb	5,70	500	100	3000
784051	KB 600B100-10		3 mb	6,50	600	100	3000

1,00



TRAY WITHOUT PERFORATION

B100



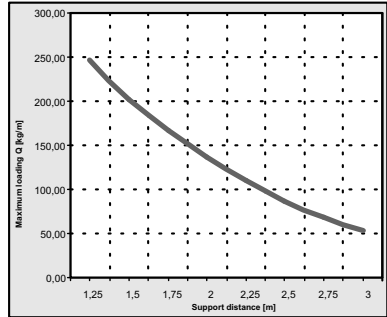
Application:
Cable routing

Fitting elements:
Covers PK i PKZM, connectors LKBZ, LKK, LPK, LUK, cap ZPK, partition PDK.

Material:
Steel galvanized by Sendzimir method (EN 10327)
On request: hot deep galvanized steel (EN ISO 1461), stainless steel (AISI 304 or AISI 316), aluminum, powder coating on each of RAL colours.

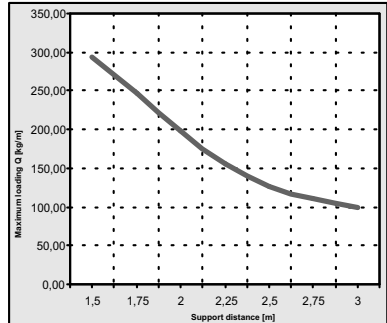
KB .. B100-12

1,20	Cat. No.	Symbol		Jm	Weight [kg/m]	Dim. A [mm]	Dim. B [mm]	Dim. L [mm]
	789770	KB 100B100-12	3	mb	2,98	100	100	3000
	789771	KB 150B100-12	3	mb	3,46	150	100	3000
	789772	KB 200B100-12	3	mb	3,94	200	100	3000
	789773	KB 250B100-12	3	mb	4,42	250	100	3000
	789774	KB 300B100-12	3	mb	4,90	300	100	3000
	789775	KB 400B100-12	3	mb	5,86	400	100	3000
	789776	KB 500B100-12	3	mb	6,82	500	100	3000
	789777	KB 600B100-12	3	mb	7,78	600	100	3000



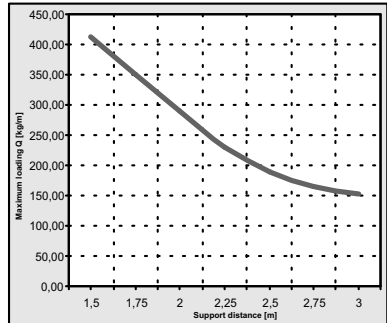
KB .. B100-15

1,50	Cat. No.	Symbol		Jm	Weight [kg/m]	Dim. A [mm]	Dim. B [mm]	Dim. L [mm]
	784093	KB 100B100-15	3	mb	3,70	100	100	3000
	784094	KB 150B100-15	3	mb	4,30	150	100	3000
	784095	KB 200B100-15	3	mb	4,90	200	100	3000
	784096	KB 250B100-15	3	mb	5,50	250	100	3000
	784097	KB 300B100-15	3	mb	6,10	300	100	3000
	784098	KB 400B100-15	3	mb	7,30	400	100	3000
	784099	KB 500B100-15	3	mb	8,50	500	100	3000
	784100	KB 600B100-15	3	mb	9,70	600	100	3000

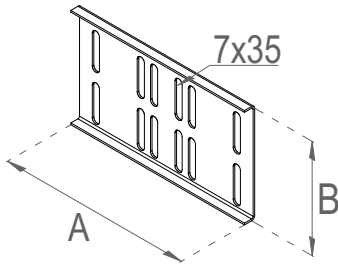


KB .. B100-20

2,00	Cat. No.	Symbol		Jm	Weight [kg/m]	Dim. A [mm]	Dim. B [mm]	Dim. L [mm]
	786671	KB 100B100-20	3	mb	4,86	100	100	3000
	786672	KB 150B100-20	3	mb	5,66	150	100	3000
	786673	KB 200B100-20	3	mb	6,46	200	100	3000
	786674	KB 250B100-20	3	mb	7,26	250	100	3000
	786675	KB 300B100-20	3	mb	8,06	300	100	3000
	786676	KB 400B100-20	3	mb	9,66	400	100	3000
	786677	KB 500B100-20	3	mb	11,26	500	100	3000
	786678	KB 600B100-20	3	mb	12,86	600	100	3000



TRAY CONNECTOR

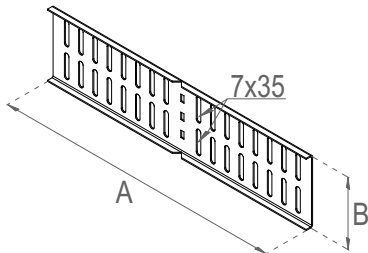


Application:
Connecting cable trays.
Suitable for trays: KP, KB.
For assembly use 8 sets of SGNKK M6x10.

Material:
Steel galvanized by Sendzimir method (EN 10327)
On request: hot deep galvanized steel (EN ISO 1461),
stainless steel (AISI 304 or AISI 316), aluminum,
powder coating on each of RAL colours.

LKBZ B100						
Cat. No.	Symbol		Jm	Weight	Dim. A	Dim. B
			[kg/pc.]	[mm]	[mm]	
785404	LKBZ B100	1	pcs.	0,17	170	97

ANGULAR TRAY CONNECTOR

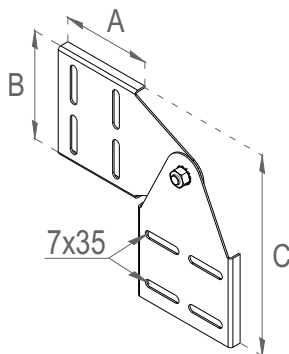


Application:
Horizontal angle connection.
Suitable for trays: KP, KB.
For assembly use 6 sets of SGNKK M6x10.

Material:
Steel galvanized by Sendzimir method (EN 10327)
On request: hot deep galvanized steel (EN ISO 1461),
stainless steel (AISI 304 or AISI 316), aluminum,
powder coating on each of RAL colours.

LKK B100						
Cat. No.	Symbol		Jm	Weight	Dim. A	Dim. B
			[kg/pc.]	[mm]	[mm]	
786494	LKK B100	1	pcs.	0,17	400	97

ADJUSTABLE TRAY CONNECTOR



Application:
Vertical angle connection.
Suitable for trays: KP, KB.
For assembly use 8 sets of SGNKK M6x10.

Material:
Steel galvanized by Sendzimir method (EN 10327)
On request: hot deep galvanized steel (EN ISO 1461),
stainless steel (AISI 304 or AISI 316), aluminum,
powder coating on each of RAL colours.

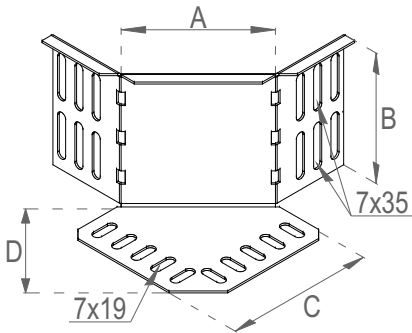
LPK B100							
Cat. No.	Symbol		Jm	Weight	Dim. A	Dim. B	
			[kg/pc.]	[mm]	[mm]	Dim. C	
785409	LPK B100	1	pcs.	0,30	80	97	180

UNIVERSAL TRAY CONNECTOR

B100



I




Application:

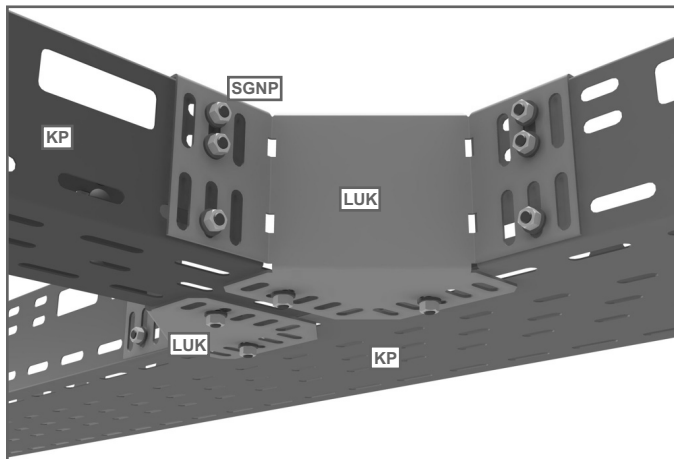
Branching out cable tray.
Suitable for trays: KP, KB.
For assembly use 10 sets of SGNKK M6x10.

Material:

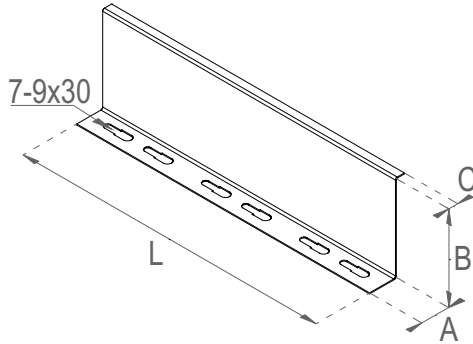
Steel galvanized by Sendzimir method (EN 10327)
On request: hot deep galvanized steel (EN ISO 1461),
stainless steel (AISI 304 or AISI 316), aluminum,
powder coating on each of RAL colours.

LUK B100

Cat. No.	Symbol	 Jm	Weight (kg/pc.)	Dim. A (mm)	Dim. B (mm)	Dim. C (mm)	Dim. D (mm)
786632	LUK B100	100	pcs. 0,12	95	103	110	90



TRAY PARTITION



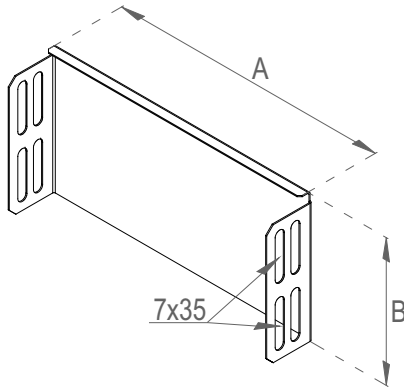
Application:
Cable tray dividing.
Suitable for trays: KP, KB.

Material:
Steel galvanized by Sendzimir method (EN 10327)
On request: hot deep galvanized steel (EN ISO 1461),
stainless steel (AISI 304 or AISI 316), aluminum,
powder coating on each of RAL colours.

PDK...B100...									
0,75 - 2,00	Cat. No.	Symbol		Jm	Weight [kg/m]	Dim. A [mm]	Dim. B [mm]	Dim. C [mm]	Dim. L [mm]
	784119	PDK B100M-075	3	mb	0,73	30	98	10	3000
	784120	PDK B100-075	3	mb	0,73	30	98	10	3000
	784129	PDK B100M-10	3	mb	0,96	30	98	10	3000
	784130	PDK B100-10	3	mb	0,96	30	98	10	3000
	784139	PDK B100M-15	3	mb	1,42	30	98	10	3000
	784140	PDK B100-15	3	mb	1,42	30	98	10	3000
	786742	PDK B100M-20	3	mb	1,86	30	98	10	3000
	786743	PDK B100-20	3	mb	1,86	30	98	10	3000

Attention: The symbol of the partition containing the M means the partition installed in the tray.

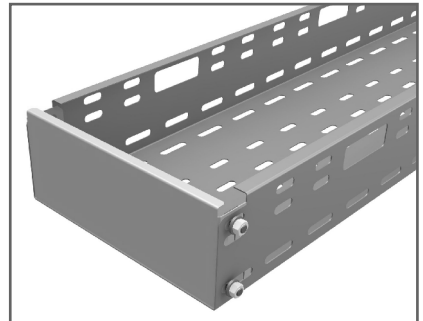
TRAY CAP



Application:
Cable tray ending.
Suitable for trays: KP, KB.

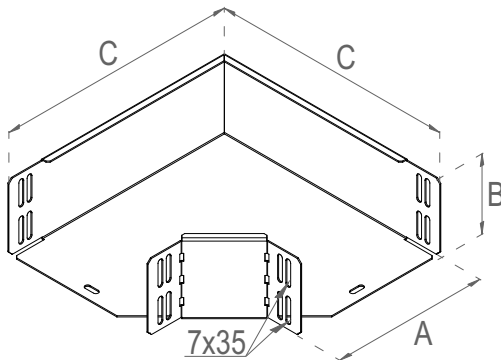
Material:
Steel galvanized by Sendzimir method (EN 10327)
On request: hot deep galvanized steel (EN ISO 1461),
stainless steel (AISI 304 or AISI 316), aluminum,
powder coating on each of RAL colours.

ZPK...B100-075							
0,75	Cat. No.	Symbol		Jm	Weight [kg/pc.]	Dim. A [mm]	Dim. B [mm]
	788648	ZPK 100B100-075	1	pcs.	0,09	98	98
	788649	ZPK 150B100-075	1	pcs.	0,13	148	98
	788650	ZPK 200B100-075	1	pcs.	0,17	198	98
	788651	ZPK 250B100-075	1	pcs.	0,20	248	98
	788652	ZPK 300B100-075	1	pcs.	0,24	298	98
	788653	ZPK 400B100-075	1	pcs.	0,31	398	98
	788654	ZPK 500B100-075	1	pcs.	0,38	498	98
	788655	ZPK 600B100-075	1	pcs.	0,45	598	98



HORIZONTAL BEND

B100



Application:
Horizontal change of direction of cable routes.

Fitting elements:
Cover PKK

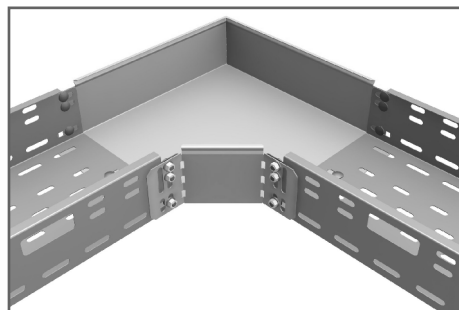
Material:
Steel galvanized by Sendzimir method (EN 10327)
On request: hot deep galvanized steel (EN ISO 1461),
stainless steel (AISI 304 or AISI 316), aluminum,
powder coating on each of RAL colours.

KK...B100-075

0,75	Cat. No.	Symbol		Jm	Weight [kg/pc.]	Dim. A [mm]	Dim. B [mm]	Dim. C [mm]
	784214	KK 100B100-075	1	pcs.	0,59	103	103	210
784215	KK 120B100-075	1	pcs.	0,67	123	103	230	
784216	KK 150B100-075	1	pcs.	0,79	153	103	260	
784217	KK 200B100-075	1	pcs.	1,05	203	103	315	
784218	KK 250B100-075	1	pcs.	1,31	253	103	365	
784219	KK 300B100-075	1	pcs.	1,61	303	103	415	

KK...B100-10

1,00	Cat. No.	Symbol		Jm	Weight [kg/pc.]	Dim. A [mm]	Dim. B [mm]	Dim. C [mm]
	784261	KK 100B100-10	1	pcs.	0,78	103	103	210
784262	KK 120B100-10	1	pcs.	0,89	123	103	230	
784263	KK 150B100-10	1	pcs.	1,05	153	103	260	
784264	KK 200B100-10	1	pcs.	1,40	203	103	315	
784265	KK 250B100-10	1	pcs.	1,75	253	103	365	
784266	KK 300B100-10	1	pcs.	2,15	303	103	415	
784267	KK 400B100-10	1	pcs.	3,06	403	103	515	
784268	KK 500B100-10	1	pcs.	4,12	503	103	615	
784269	KK 600B100-10	1	pcs.	5,35	603	103	715	



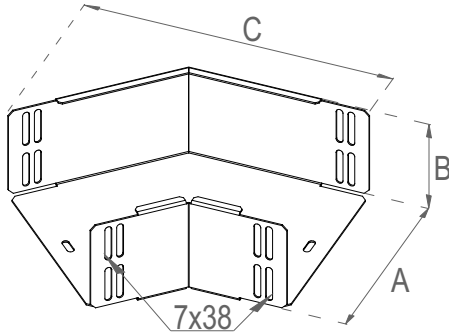
KK...B100-15

1,50	Cat. No.	Symbol		Jm	Weight [kg/pc.]	Dim. A [mm]	Dim. B [mm]	Dim. C [mm]
	784311	KK 100B100-15	1	pcs.	1,18	100	100	210
784312	KK 120B100-15	1	pcs.	1,33	120	100	230	
784313	KK 150B100-15	1	pcs.	1,58	150	100	260	
784314	KK 200B100-15	1	pcs.	2,10	200	100	315	
784315	KK 250B100-15	1	pcs.	2,63	250	100	365	
784316	KK 300B100-15	1	pcs.	3,22	300	100	415	
784317	KK 400B100-15	1	pcs.	4,58	400	100	515	
784318	KK 500B100-15	1	pcs.	6,19	500	100	615	
784319	KK 600B100-15	1	pcs.	8,03	600	100	715	

KK...B100-20

2,00	Cat. No.	Symbol		Jm	Weight [kg/pc.]	Dim. A [mm]	Dim. B [mm]	Dim. C [mm]
	786783	KK 100B100-20	1	pcs.	1,57	100	100	210
786784	KK 120B100-20	1	pcs.	1,77	120	100	230	
786785	KK 150B100-20	1	pcs.	2,11	150	100	260	
786786	KK 200B100-20	1	pcs.	2,80	200	100	315	
786787	KK 250B100-20	1	pcs.	3,50	250	100	365	
786788	KK 300B100-20	1	pcs.	4,29	300	100	415	
786789	KK 400B100-20	1	pcs.	6,11	400	100	515	
786790	KK 500B100-20	1	pcs.	8,25	500	100	615	
786791	KK 600B100-20	1	pcs.	10,71	600	100	715	

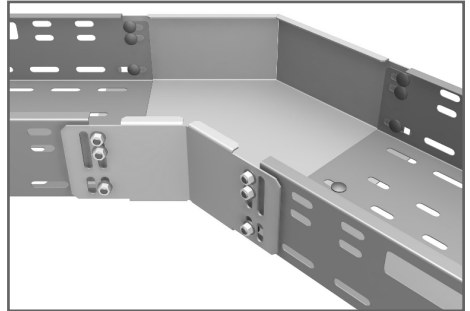
HORIZONTAL BEND 45°




Application:
Horizontal change of direction of cable routes.

Fitting elements:
Cover PKK45


Material:
Steel galvanized by Sendzimir method (EN 10327)
On request: hot deep galvanized steel (EN ISO 1461),
stainless steel (AISI 304 or AISI 316), aluminum,
powder coating on each of RAL colours.




KK45 . . .B100-075

0,75	Cat. No.	Symbol		Jm	Weight [kg/pc.]	Dim. A [mm]	Dim. B [mm]	Dim. C [mm]
	788216	KK45 100B100-075		1	pcs.	0,41	103	103
788217	KK45 120B100-075		1	pcs.	0,47	123	103	230
788218	KK45 150B100-075		1	pcs.	0,55	153	103	260
788219	KK45 200B100-075		1	pcs.	0,73	203	103	315
788220	KK45 250B100-075		1	pcs.	0,92	253	103	365
788221	KK45 300B100-075		1	pcs.	1,13	303	103	415


KK45 . . .B100-10

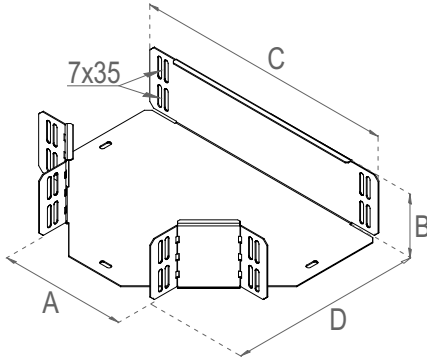
1,00	Cat. No.	Symbol		Jm	Weight [kg/pc.]	Dim. A [mm]	Dim. B [mm]	Dim. C [mm]
	788263	KK45 100B100-10		1	pcs.	0,55	103	103
788264	KK45 120B100-10		1	pcs.	0,62	123	103	230
788265	KK45 150B100-10		1	pcs.	0,74	153	103	260
788266	KK45 200B100-10		1	pcs.	0,98	203	103	315
788267	KK45 250B100-10		1	pcs.	1,23	253	103	365
788268	KK45 300B100-10		1	pcs.	1,50	303	103	415
788269	KK45 400B100-10		1	pcs.	2,14	403	103	515
788270	KK45 500B100-10		1	pcs.	2,89	503	103	615
788271	KK45 600B100-10		1	pcs.	3,75	603	103	715

KK45 . . .B100-15

1,50	Cat. No.	Symbol		Jm	Weight [kg/pc.]	Dim. A [mm]	Dim. B [mm]	Dim. C [mm]
	788311	KK45 100B100-15		1	pcs.	0,82	100	100
788312	KK45 120B100-15		1	pcs.	0,93	120	100	230
788313	KK45 150B100-15		1	pcs.	1,11	150	100	260
788314	KK45 200B100-15		1	pcs.	1,47	200	100	315
788315	KK45 250B100-15		1	pcs.	1,84	250	100	365
788316	KK45 300B100-15		1	pcs.	2,25	300	100	415
788317	KK45 400B100-15		1	pcs.	3,21	400	100	515
788318	KK45 500B100-15		1	pcs.	4,33	500	100	615
788319	KK45 600B100-15		1	pcs.	5,62	600	100	715

KK45 . . .B100-20

2,00	Cat. No.	Symbol		Jm	Weight [kg/pc.]	Dim. A [mm]	Dim. B [mm]	Dim. C [mm]
	788359	KK45 100B100-20		1	pcs.	1,10	100	100
788360	KK45 120B100-20		1	pcs.	1,24	120	100	230
788361	KK45 150B100-20		1	pcs.	1,48	150	100	260
788362	KK45 200B100-20		1	pcs.	1,96	200	100	315
788363	KK45 250B100-20		1	pcs.	2,45	250	100	365
788364	KK45 300B100-20		1	pcs.	3,01	300	100	415
788365	KK45 400B100-20		1	pcs.	4,28	400	100	515
788366	KK45 500B100-20		1	pcs.	5,77	500	100	615
788367	KK45 600B100-20		1	pcs.	7,49	600	100	715



Application:
Branching out cable routes.

Fitting elements:
Cover PTK

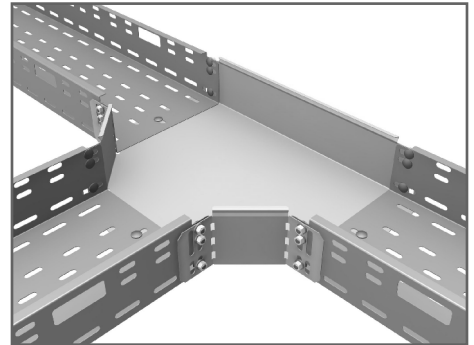
Material:
Steel galvanized by Sendzimir method (EN 10327)
On request: hot deep galvanized steel (EN ISO 1461),
stainless steel (AISI 304 or AISI 316), aluminum,
powder coating on each of RAL colours.

TK...B100-075

Cat. No.	Symbol	Jm	Weight [kg/pc.]	Dim. A [mm]	Dim. B [mm]	Dim. C [mm]	Dim. D [mm]
784379	TK 100B100-075	1	0,70	103	103	315	210
784380	TK 120B100-075	1	0,78	123	103	335	230
784381	TK 150B100-075	1	0,92	153	103	365	260
784382	TK 200B100-075	1	1,17	203	103	415	310
784383	TK 250B100-075	1	1,45	253	103	465	360
784384	TK 300B100-075	1	1,76	303	103	515	410

TK...B100-10

Cat. No.	Symbol	Jm	Weight [kg/pc.]	Dim. A [mm]	Dim. B [mm]	Dim. C [mm]	Dim. D [mm]
784426	TK 100B100-10	1	0,93	103	103	315	210
784427	TK 120B100-10	1	1,04	123	103	335	230
784428	TK 150B100-10	1	1,22	153	100	365	260
784429	TK 200B100-10	1	1,55	203	103	415	310
784430	TK 250B100-10	1	1,93	253	103	465	360
784431	TK 300B100-10	1	2,34	303	103	515	410
784432	TK 400B100-10	1	3,29	403	103	615	510
784433	TK 500B100-10	1	4,39	503	103	715	610
784434	TK 600B100-10	1	5,66	603	103	815	710

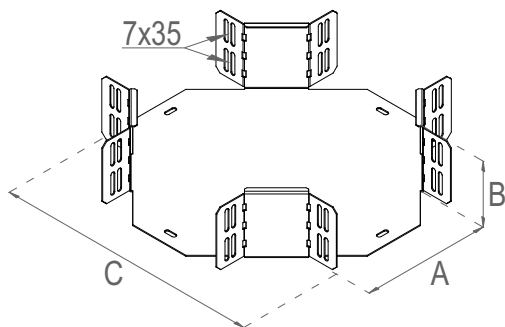


TK...B100-15

Cat. No.	Symbol	Jm	Weight [kg/pc.]	Dim. A [mm]	Dim. B [mm]	Dim. C [mm]	Dim. D [mm]
784476	TK 100B100-15	1	1,39	100	100	315	210
784477	TK 120B100-15	1	1,56	120	100	335	230
784478	TK 150B100-15	1	1,83	150	100	365	260
784479	TK 200B100-15	1	2,33	200	100	415	310
784480	TK 250B100-15	1	2,89	250	100	465	360
784481	TK 300B100-15	1	3,51	300	100	515	410
784482	TK 400B100-15	1	4,93	400	100	615	510
784483	TK 500B100-15	1	6,59	500	100	715	610
784484	TK 600B100-15	1	8,49	600	100	815	710

TK...B100-20

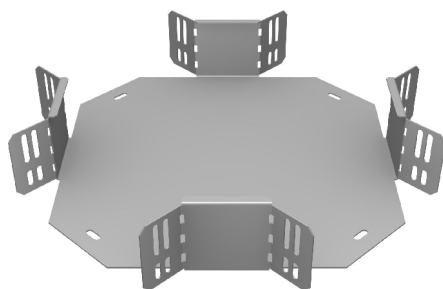
Cat. No.	Symbol	Jm	Weight [kg/pc.]	Dim. A [mm]	Dim. B [mm]	Dim. C [mm]	Dim. D [mm]
786842	TK 100B100-20	1	1,85	100	100	315	210
786843	TK 120B100-20	1	2,08	120	100	335	230
786844	TK 150B100-20	1	2,44	150	100	365	260
786845	TK 200B100-20	1	3,11	200	100	415	310
786846	TK 250B100-20	1	3,85	250	100	465	360
786847	TK 300B100-20	1	4,68	300	100	515	410
786848	TK 400B100-20	1	6,57	400	100	615	510
786849	TK 500B100-20	1	8,79	500	100	715	610
786850	TK 600B100-20	1	11,32	600	100	815	710



Application:
Branching out cable routes.

Fitting elements:
Cover PCZK

Material:
Steel galvanized by Sendzimir method (EN 10327)
On request: hot deep galvanized steel (EN ISO 1461),
stainless steel (AISI 304 or AISI 316), aluminum,
powder coating on each of RAL colours.



CZK...B100-075

0,75	Cat. No.	Symbol		Jm	Weight [kg/pc]	Dim. A [mm]	Dim. B [mm]	Dim. C [mm]
	784543	CZK 100B100-075	1	pcs.	0,72	103	103	320
784544	CZK 120B100-075	1	pcs.	0,82	123	103	340	
784545	CZK 150B100-075	1	pcs.	0,97	153	103	370	
784546	CZK 200B100-075	1	pcs.	1,24	203	103	420	
784547	CZK 250B100-075	1	pcs.	1,54	253	103	470	
784548	CZK 300B100-075	1	pcs.	1,88	303	103	520	

CZK...B100-10

1,00	Cat. No.	Symbol		Jm	Weight [kg/pc]	Dim. A [mm]	Dim. B [mm]	Dim. C [mm]
	784590	CZK 100B100-10	1	pcs.	0,97	103	103	320
784591	CZK 120B100-10	1	pcs.	1,09	123	103	340	
784592	CZK 150B100-10	1	pcs.	1,29	153	103	370	
784593	CZK 200B100-10	1	pcs.	1,65	203	103	420	
784594	CZK 250B100-10	1	pcs.	2,06	253	103	470	
784595	CZK 300B100-10	1	pcs.	2,50	303	103	520	
784596	CZK 400B100-10	1	pcs.	3,51	403	103	620	
784597	CZK 500B100-10	1	pcs.	4,68	503	103	720	
784598	CZK 600B100-10	1	pcs.	6,01	603	103	820	

CZK...B100-15

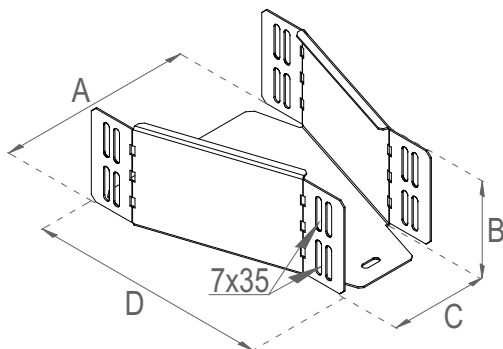
1,50	Cat. No.	Symbol		Jm	Weight [kg/pc]	Dim. A [mm]	Dim. B [mm]	Dim. C [mm]
	784640	CZK 100B100-15	1	pcs.	1,45	100	100	320
784641	CZK 120B100-15	1	pcs.	1,64	120	100	340	
784642	CZK 150B100-15	1	pcs.	1,93	150	100	370	
784643	CZK 200B100-15	1	pcs.	2,48	200	100	420	
784644	CZK 250B100-15	1	pcs.	3,09	250	100	470	
784645	CZK 300B100-15	1	pcs.	3,75	300	100	520	
784646	CZK 400B100-15	1	pcs.	5,26	400	100	620	
784647	CZK 500B100-15	1	pcs.	7,02	500	100	720	
784648	CZK 600B100-15	1	pcs.	9,01	600	100	820	

CZK...B100-20

2,00	Cat. No.	Symbol		Jm	Weight [kg/pc]	Dim. A [mm]	Dim. B [mm]	Dim. C [mm]
	786901	CZK 100B100-20	1	pcs.	1,93	100	100	320
786902	CZK 120B100-20	1	pcs.	2,18	120	100	340	
786903	CZK 150B100-20	1	pcs.	2,58	150	100	370	
786904	CZK 200B100-20	1	pcs.	3,31	200	100	420	
786905	CZK 250B100-20	1	pcs.	4,11	250	100	470	
786906	CZK 300B100-20	1	pcs.	5,00	300	100	520	
786907	CZK 400B100-20	1	pcs.	7,02	400	100	620	
786908	CZK 500B100-20	1	pcs.	9,35	500	100	720	
786909	CZK 600B100-20	1	pcs.	12,01	600	100	820	

HORIZONTAL SYMMETRIC REDUCTION

B100



Application:
Reducing width of cable routes.

Fitting elements:
Cover PRK

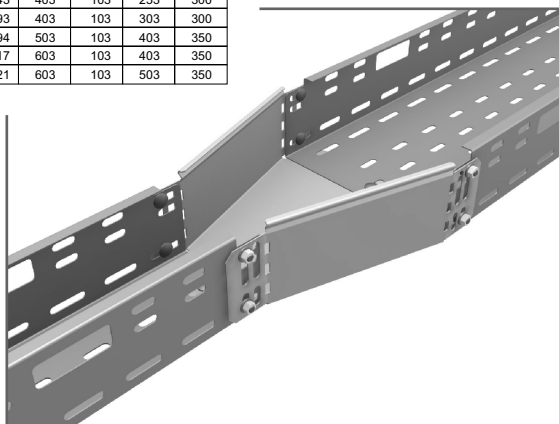
Material:
Steel galvanized by Sendzimir method (EN 10327)
On request: hot deep galvanized steel (EN ISO 1461),
stainless steel (AISI 304 or AISI 316), aluminum,
powder coating on each of RAL colours.

RK...B100-075

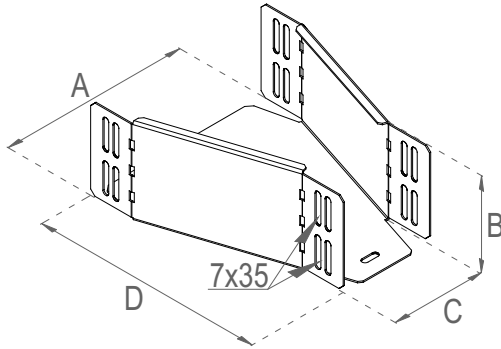
Cat. No.	Symbol	Jm	Weight [kg/pcs.]	Dim. A [mm]	Dim. B [mm]	Dim. C [mm]	Dim. D [mm]	0,75
784773	RK 120/100B100-075	1	0,40	123	103	103	200	
784774	RK 150/100B100-075	1	0,43	153	103	103	200	
784775	RK 150/120B100-075	1	0,43	153	103	123	200	
784776	RK 200/100B100-075	1	0,61	203	103	103	250	
784777	RK 200/120B100-075	1	0,61	203	103	123	250	
784778	RK 200/150B100-075	1	0,61	203	103	153	250	
784779	RK 250/120B100-075	1	0,68	253	103	123	250	
784780	RK 250/150B100-075	1	0,68	253	103	153	250	
784781	RK 250/200B100-075	1	0,68	253	103	203	250	
784782	RK 300/150B100-075	1	0,88	303	103	153	300	
784783	RK 300/200B100-075	1	0,89	303	103	203	300	
784784	RK 300/250B100-075	1	0,91	303	103	253	300	

RK...B100-10

Cat. No.	Symbol	Jm	Weight [kg/pcs.]	Dim. A [mm]	Dim. B [mm]	Dim. C [mm]	Dim. D [mm]	1,00
784885	RK 120/100B100-10	1	0,40	123	103	103	200	
784886	RK 150/100B100-10	1	0,58	153	103	103	200	
784887	RK 150/120B100-10	1	0,58	153	103	123	200	
784888	RK 200/100B100-10	1	0,81	203	103	103	250	
784889	RK 200/120B100-10	1	0,81	203	103	123	250	
784890	RK 200/150B100-10	1	0,91	203	103	153	250	
784891	RK 250/120B100-10	1	0,91	253	103	123	250	
784892	RK 250/150B100-10	1	0,91	253	103	153	250	
784893	RK 250/200B100-10	1	1,18	253	103	203	250	
784894	RK 300/150B100-10	1	1,19	303	103	153	300	
784895	RK 300/200B100-10	1	1,20	303	103	203	300	
784896	RK 300/250B100-10	1	1,40	303	103	253	300	
784897	RK 400/200B100-10	1	1,42	403	103	203	300	
784898	RK 400/250B100-10	1	1,43	403	103	253	300	
784899	RK 400/300B100-10	1	1,93	403	103	303	300	
784900	RK 500/400B100-10	1	1,94	503	103	403	350	
784901	RK 600/400B100-10	1	2,17	603	103	403	350	
784902	RK 600/500B100-10	1	2,21	603	103	503	350	




HORIZONTAL SYMMETRIC REDUCTION




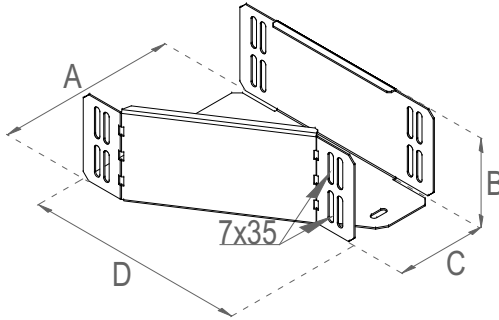
Application:
Reducing width of cable routes.

Fitting elements:
Cover PRK

Material:
Steel galvanized by Sendzimir method (EN 10327)
On request: hot deep galvanized steel (EN ISO 1461),
stainless steel (AISI 304 or AISI 316), aluminum,
powder coating on each of RAL colours.

RK...B100-15									
1,50	Cat. No.	Symbol		Jm	Weight [kg/pc.]	Dim. A [mm]	Dim. B [mm]	Dim. C [mm]	Dim. D [mm]
	784996	RK 120/100B100-15	1	pcs.	0,79	120	100	100	200
	784997	RK 150/100B100-15	1	pcs.	0,87	150	100	100	200
	784998	RK 150/120B100-15	1	pcs.	0,87	150	100	120	200
	784999	RK 200/100B100-15	1	pcs.	1,21	200	100	100	250
	785000	RK 200/120B100-15	1	pcs.	1,22	200	100	120	250
	785001	RK 200/150B100-15	1	pcs.	1,22	200	100	150	250
	785002	RK 250/120B100-15	1	pcs.	1,36	250	100	120	250
	785003	RK 250/150B100-15	1	pcs.	1,36	250	100	150	250
	785004	RK 250/200B100-15	1	pcs.	1,37	250	100	200	250
785005	RK 300/150B100-15	1	pcs.	1,77	300	100	150	300	
785006	RK 300/200B100-15	1	pcs.	1,79	300	100	200	300	
785007	RK 300/250B100-15	1	pcs.	1,81	300	100	250	300	
785008	RK 400/200B100-15	1	pcs.	2,10	400	100	200	300	
785009	RK 400/250B100-15	1	pcs.	2,13	400	100	250	300	
785010	RK 400/300B100-15	1	pcs.	2,15	400	103	300	300	
785011	RK 500/400B100-15	1	pcs.	2,90	500	100	400	350	
785012	RK 600/400B100-15	1	pcs.	3,25	600	100	400	350	
785013	RK 600/500B100-15	1	pcs.	3,32	600	100	500	350	

RK...B100-20									
2,00	Cat. No.	Symbol		Jm	Weight [kg/pc.]	Dim. A [mm]	Dim. B [mm]	Dim. C [mm]	Dim. D [mm]
	787006	RK 120/100B100-20	1	pcs.	1,06	120	100	100	200
	787007	RK 150/100B100-20	1	pcs.	1,16	150	100	100	200
	787008	RK 150/120B100-20	1	pcs.	1,15	150	100	120	200
	787009	RK 200/100B100-20	1	pcs.	1,62	200	100	100	250
	787010	RK 200/120B100-20	1	pcs.	1,62	200	100	120	250
	787011	RK 200/150B100-20	1	pcs.	1,63	200	100	150	250
	787012	RK 250/120B100-20	1	pcs.	1,81	250	100	120	250
	787013	RK 250/150B100-20	1	pcs.	1,82	250	100	150	250
	787014	RK 250/200B100-20	1	pcs.	1,83	250	100	200	250
787015	RK 300/150B100-20	1	pcs.	2,35	300	100	150	300	
787016	RK 300/200B100-20	1	pcs.	2,38	300	100	200	300	
787017	RK 300/250B100-20	1	pcs.	2,41	300	100	250	300	
787018	RK 400/200B100-20	1	pcs.	2,80	400	100	200	300	
787019	RK 400/250B100-20	1	pcs.	2,83	400	100	250	300	
787020	RK 400/300B100-20	1	pcs.	2,86	400	100	300	300	
787021	RK 500/400B100-20	1	pcs.	3,87	500	100	400	350	
787022	RK 600/400B100-20	1	pcs.	4,33	600	100	400	350	
787023	RK 600/500B100-20	1	pcs.	4,43	600	100	500	350	



Application:
Reducing width of cable routes.

Fitting elements:
Cover PRKL

Material:
Steel galvanized by Sendzimir method (EN 10327)
On request: hot deep galvanized steel (EN ISO 1461),
stainless steel (AISI 304 or AISI 316), aluminum,
powder coating on each of RAL colours.

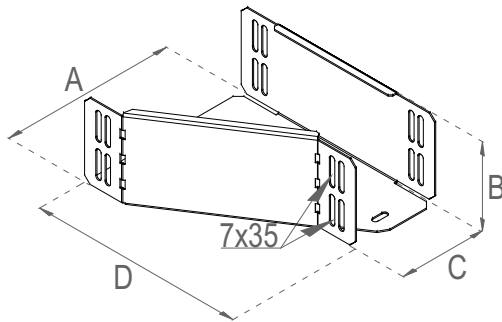
RKL...B100-075

Cat. No.	Symbol	Jm	Weight [kg/pc.]	Dim. A [mm]	Dim. B [mm]	Dim. C [mm]	Dim. D [mm]
787235	RKL 120/100B100-075	1	0,40	123	103	103	200
787236	RKL 150/100B100-075	1	0,43	153	103	103	200
787237	RKL 150/120B100-075	1	0,43	153	103	123	200
787238	RKL 200/100B100-075	1	0,61	203	103	103	250
787239	RKL 200/120B100-075	1	0,61	203	103	123	250
787240	RKL 200/150B100-075	1	0,61	203	103	153	250
787241	RKL 250/120B100-075	1	0,68	253	103	123	250
787242	RKL 250/150B100-075	1	0,68	253	103	153	250
787243	RKL 250/200B100-075	1	0,68	253	103	203	250
787244	RKL 300/150B100-075	1	0,88	303	103	153	300
787245	RKL 300/200B100-075	1	0,89	303	103	203	300
787246	RKL 300/250B100-075	1	0,91	303	103	253	300

RKL...B100-10

Cat. No.	Symbol	Jm	Weight [kg/pc.]	Dim. A [mm]	Dim. B [mm]	Dim. C [mm]	Dim. D [mm]
787341	RKL 120/100B100-10	1	0,53	123	103	103	200
787342	RKL 150/100B100-10	1	0,58	153	103	103	200
787343	RKL 150/120B100-10	1	0,58	153	103	123	200
787344	RKL 200/100B100-10	1	0,81	203	103	103	250
787345	RKL 200/120B100-10	1	0,81	203	103	123	250
787346	RKL 200/150B100-10	1	0,81	203	103	153	250
787347	RKL 250/120B100-10	1	0,91	253	103	123	250
787348	RKL 250/150B100-10	1	0,91	253	103	153	250
787349	RKL 250/200B100-10	1	0,91	253	103	203	250
787350	RKL 300/150B100-10	1	1,18	303	103	153	300
787351	RKL 300/200B100-10	1	1,19	303	103	203	300
787352	RKL 300/250B100-10	1	1,21	303	103	253	300
787353	RKL 400/200B100-10	1	1,40	403	103	203	300
787354	RKL 400/250B100-10	1	1,42	403	103	253	300
787355	RKL 400/300B100-10	1	1,43	403	103	303	300
787356	RKL 500/400B100-10	1	1,94	503	103	403	350
787357	RKL 600/400B100-10	1	2,17	603	103	403	350
787358	RKL 600/500B100-10	1	2,22	603	103	503	350

HORIZONTAL REDUCTION - LEFT



Application:
Reducing width of cable routes.

Fitting elements:
Cover PRKL

Material:
Steel galvanized by Sendzimir method (EN 10327)
On request: hot deep galvanized steel (EN ISO 1461),
stainless steel (AISI 304 or AISI 316), aluminum,
powder coating on each of RAL colours.

RKL . . . B100-15

Cat. No.	Symbol	Jm	Weight [kg/pc.]	Dim. A [mm]	Dim. B [mm]	Dim. C [mm]	Dim. D [mm]
787444	RKL 120/100B100-15	1	0,79	120	100	100	200
787445	RKL 150/100B100-15	1	0,87	150	100	100	200
787446	RKL 150/120B100-15	1	0,87	150	100	120	200
787447	RKL 200/100B100-15	1	1,21	200	100	100	250
787448	RKL 200/120B100-15	1	1,22	200	100	120	250
787449	RKL 200/150B100-15	1	1,22	200	100	150	250
787450	RKL 250/120B100-15	1	1,36	250	100	120	250
787451	RKL 250/150B100-15	1	1,36	250	100	150	250
787452	RKL 250/200B100-15	1	1,37	250	100	200	250
787453	RKL 300/150B100-15	1	1,77	300	100	150	300
787454	RKL 300/200B100-15	1	1,79	300	100	200	300
787455	RKL 300/250B100-15	1	1,81	300	100	250	300
787456	RKL 400/200B100-15	1	2,10	400	100	200	300
787457	RKL 400/250B100-15	1	2,13	400	100	250	300
787458	RKL 400/300B100-15	1	2,15	400	100	300	300
787459	RKL 500/400B100-15	1	2,90	500	100	400	350
787460	RKL 600/400B100-15	1	3,25	600	100	400	350
787461	RKL 600/500B100-15	1	3,32	600	100	500	350

1,50

RKL . . . B100-20

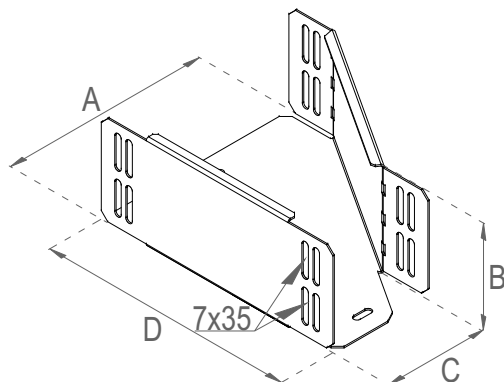
Cat. No.	Symbol	Jm	Weight [kg/pc.]	Dim. A [mm]	Dim. B [mm]	Dim. C [mm]	Dim. D [mm]
787547	RKL 120/100B100-20	1	1,06	120	100	100	200
787548	RKL 150/100B100-20	1	1,16	150	100	100	200
787549	RKL 150/120B100-20	1	1,15	150	100	120	200
787550	RKL 200/100B100-20	1	1,62	200	100	100	250
787551	RKL 200/120B100-20	1	1,62	200	100	120	250
787552	RKL 200/150B100-20	1	1,63	200	100	150	250
787553	RKL 250/120B100-20	1	1,81	250	100	120	250
787554	RKL 250/150B100-20	1	1,82	250	100	150	250
787555	RKL 250/200B100-20	1	1,83	250	100	200	250
787556	RKL 300/150B100-20	1	2,35	300	100	150	300
787557	RKL 300/200B100-20	1	2,38	300	100	200	300
787558	RKL 300/250B100-20	1	2,41	300	100	250	300
787559	RKL 400/200B100-20	1	2,80	400	100	200	300
787560	RKL 400/250B100-20	1	2,83	400	100	250	300
787561	RKL 400/300B100-20	1	2,86	400	100	300	300
787562	RKL 500/400B100-20	1	3,87	500	100	400	350
787563	RKL 600/400B100-20	1	4,33	600	100	400	350
787564	RKL 600/500B100-20	1	4,43	600	100	500	350

2,00

B100



I



Application:
Reducing width of cable routes.

Fitting elements:
Cover PRKP

Material:
Steel galvanized by Sendzimir method (EN 10327)
On request: hot deep galvanized steel (EN ISO 1461),
stainless steel (AISI 304 or AISI 316), aluminum,
powder coating on each of RAL colours.

RKP...B100-075

Cat. No.	Symbol		Jm	Weight [kg/pc.]	Dim.	Dim.	Dim.	Dim.
					A [mm]	B [mm]	C [mm]	D [mm]
787755	RKP 120/100B100-075	1	pcs.	0.40	123	103	103	200
787756	RKP 150/100B100-075	1	pcs.	0.43	153	103	103	200
787757	RKP 150/120B100-075	1	pcs.	0.43	153	103	123	200
787758	RKP 200/100B100-075	1	pcs.	0.61	203	103	103	250
787759	RKP 200/120B100-075	1	pcs.	0.61	203	103	123	250
787760	RKP 200/150B100-075	1	pcs.	0.61	203	103	153	250
787761	RKP 250/120B100-075	1	pcs.	0.68	253	103	123	250
787762	RKP 250/150B100-075	1	pcs.	0.68	253	103	153	250
787763	RKP 250/200B100-075	1	pcs.	0.68	253	103	203	250
787764	RKP 300/150B100-075	1	pcs.	0.88	303	103	153	300
787765	RKP 300/200B100-075	1	pcs.	0.89	303	103	203	300
787766	RKP 300/250B100-075	1	pcs.	0.91	303	103	253	300

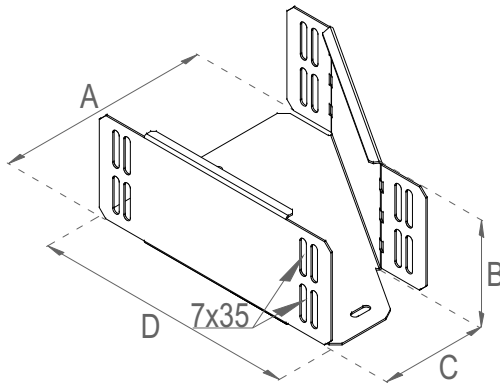
0,75

RKP...B100-10

Cat. No.	Symbol		Jm	Weight [kg/pc.]	Dim.	Dim.	Dim.	Dim.
					A [mm]	B [mm]	C [mm]	D [mm]
787861	RKP 120/100B100-10	1	pcs.	0.53	123	103	103	200
787862	RKP 150/100B100-10	1	pcs.	0.58	153	103	103	200
787863	RKP 150/120B100-10	1	pcs.	0.58	153	103	123	200
787864	RKP 200/100B100-10	1	pcs.	0.81	203	103	103	250
787865	RKP 200/120B100-10	1	pcs.	0.81	203	103	123	250
787866	RKP 200/150B100-10	1	pcs.	0.81	203	103	153	250
787867	RKP 250/120B100-10	1	pcs.	0.91	253	103	123	250
787868	RKP 250/150B100-10	1	pcs.	0.91	253	103	153	250
787869	RKP 250/200B100-10	1	pcs.	0.91	253	103	203	250
787870	RKP 300/150B100-10	1	pcs.	1.18	303	103	153	300
787871	RKP 300/200B100-10	1	pcs.	1.19	303	103	203	300
787872	RKP 300/250B100-10	1	pcs.	1.21	303	103	253	300
787873	RKP 400/200B100-10	1	pcs.	1.40	403	103	203	300
787874	RKP 400/250B100-10	1	pcs.	1.42	403	103	253	300
787875	RKP 400/300B100-10	1	pcs.	1.43	403	103	303	300
787876	RKP 500/400B100-10	1	pcs.	1.94	503	103	403	350
787877	RKP 600/400B100-10	1	pcs.	2.17	603	103	403	350
787878	RKP 600/500B100-10	1	pcs.	2.22	603	103	503	350

1,00

HORIZONTAL REDUCTION - RIGHT



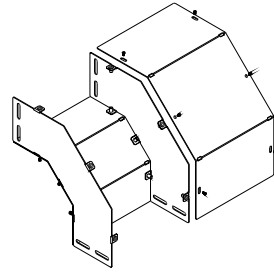
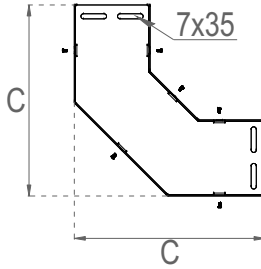
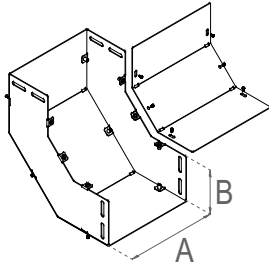
Application:
Reducing width of cable routes.

Fitting elements:
Cover PRKP

Material:
Steel galvanized by Sendzimir method (EN 10327)
On request: hot deep galvanized steel (EN ISO 1461),
stainless steel (AISI 304 or AISI 316), aluminum,
powder coating on each of RAL colours.

RKP...B100-15									
1,50	Cat. No.	Symbol		Jm	Weight [kg/pc.]	Dim. A [mm]	Dim. B [mm]	Dim. C [mm]	Dim. D [mm]
	787964	RKP 120/100B100-15	1	pcs.	0,79	120	100	100	200
	787965	RKP 150/100B100-15	1	pcs.	0,87	150	100	100	200
	787966	RKP 150/120B100-15	1	pcs.	0,87	150	100	120	200
	787967	RKP 200/100B100-15	1	pcs.	1,21	200	100	100	250
	787968	RKP 200/120B100-15	1	pcs.	1,22	200	100	120	250
	787969	RKP 200/150B100-15	1	pcs.	1,22	200	100	150	250
	787970	RKP 250/120B100-15	1	pcs.	1,36	250	100	120	250
	787971	RKP 250/150B100-15	1	pcs.	1,36	250	100	150	250
	787972	RKP 250/200B100-15	1	pcs.	1,37	250	100	200	250
787973	RKP 300/150B100-15	1	pcs.	1,77	300	100	150	300	
787974	RKP 300/200B100-15	1	pcs.	1,79	300	100	200	300	
787975	RKP 300/250B100-15	1	pcs.	1,81	300	100	250	300	
787976	RKP 400/200B100-15	1	pcs.	2,10	400	100	200	300	
787977	RKP 400/250B100-15	1	pcs.	2,13	400	100	250	300	
787978	RKP 400/300B100-15	1	pcs.	2,15	400	100	300	300	
787979	RKP 500/400B100-15	1	pcs.	2,90	500	100	400	350	
787980	RKP 600/400B100-15	1	pcs.	3,25	600	100	400	350	
787981	RKP 600/500B100-15	1	pcs.	3,32	600	100	500	350	

RKP...B100-20									
2,00	Cat. No.	Symbol		Jm	Weight [kg/pc.]	Dim. A [mm]	Dim. B [mm]	Dim. C [mm]	Dim. D [mm]
	788067	RKP 120/100B100-20	1	pcs.	1,06	120	100	100	200
	788068	RKP 150/100B100-20	1	pcs.	1,16	150	100	100	200
	788069	RKP 150/120B100-20	1	pcs.	1,15	150	100	120	200
	788070	RKP 200/100B100-20	1	pcs.	1,62	200	100	100	250
	788071	RKP 200/120B100-20	1	pcs.	1,62	200	100	120	250
	788072	RKP 200/150B100-20	1	pcs.	1,63	200	100	150	250
	788073	RKP 250/120B100-20	1	pcs.	1,81	250	100	120	250
	788074	RKP 250/150B100-20	1	pcs.	1,82	250	100	150	250
	788075	RKP 250/200B100-20	1	pcs.	1,83	250	100	200	250
788076	RKP 300/150B100-20	1	pcs.	2,35	300	100	150	300	
788077	RKP 300/200B100-20	1	pcs.	2,38	300	100	200	300	
788078	RKP 300/250B100-20	1	pcs.	2,41	300	100	250	300	
788079	RKP 400/200B100-20	1	pcs.	2,80	400	100	200	300	
788080	RKP 400/250B100-20	1	pcs.	2,83	400	100	250	300	
788081	RKP 400/300B100-20	1	pcs.	2,86	400	100	300	300	
788082	RKP 500/400B100-20	1	pcs.	3,87	500	100	400	350	
788083	RKP 600/400B100-20	1	pcs.	4,33	600	100	400	350	
788084	RKP 600/500B100-20	1	pcs.	4,43	600	100	500	350	



Application:

Vertical change of direction of cable routes.

Material:

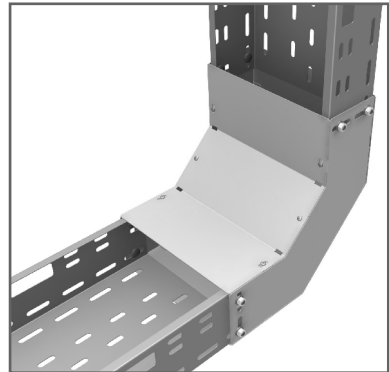
Steel galvanized by Sendzimir method (EN 10327)
On request: hot deep galvanized steel (EN ISO 1461),
stainless steel (AISI 304 or AISI 316), aluminum,
powder coating on each of RAL colours.

LZWK ...B100-075

0,75	Cat. No.	Symbol		Jm	Weight [kg/pc.]	Dim. A [mm]	Dim. B [mm]	Dim. C [mm]
	785286	LZWK 100B100-075	1	pcs.	1,09	103	103	261
785287	LZWK 120B100-075	1	pcs.	1,19	123	103	261	
785288	LZWK 150B100-075	1	pcs.	1,34	153	103	261	
785289	LZWK 200B100-075	1	pcs.	1,59	203	103	261	
785290	LZWK 250B100-075	1	pcs.	1,84	253	103	261	
785291	LZWK 300B100-075	1	pcs.	2,09	303	103	261	

LZWK ...B100-10

1,00	Cat. No.	Symbol		Jm	Weight [kg/pc.]	Dim. A [mm]	Dim. B [mm]	Dim. C [mm]
	785336	LZWK 100B100-10	1	pcs.	1,45	103	103	261
785337	LZWK 120B100-10	1	pcs.	1,58	123	103	261	
785338	LZWK 150B100-10	1	pcs.	1,78	153	103	261	
785339	LZWK 200B100-10	1	pcs.	2,12	203	103	261	
785340	LZWK 250B100-10	1	pcs.	2,45	253	103	261	
785341	LZWK 300B100-10	1	pcs.	2,79	303	103	261	
785342	LZWK 400B100-10	1	pcs.	3,46	403	103	261	
785343	LZWK 500B100-10	1	pcs.	4,13	503	103	261	
785344	LZWK 600B100-10	1	pcs.	4,80	603	103	261	



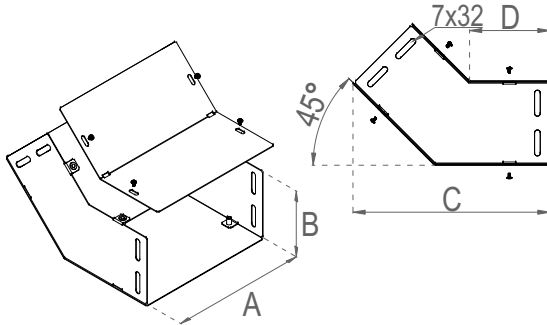
LZWK ...B100-15

1,50	Cat. No.	Symbol		Jm	Weight [kg/pc.]	Dim. A [mm]	Dim. B [mm]	Dim. C [mm]
	785386	LZWK 100B100-15	1	pcs.	2,17	104	100	261
785387	LZWK 120B100-15	1	pcs.	2,37	124	100	261	
785388	LZWK 150B100-15	1	pcs.	2,67	154	100	261	
785389	LZWK 200B100-15	1	pcs.	3,18	204	100	261	
785390	LZWK 250B100-15	1	pcs.	3,68	254	100	261	
785391	LZWK 300B100-15	1	pcs.	4,18	304	100	261	
785392	LZWK 400B100-15	1	pcs.	5,19	404	100	261	
785393	LZWK 500B100-15	1	pcs.	6,19	504	100	261	
785394	LZWK 600B100-15	1	pcs.	7,20	604	100	261	

LZWK ...B100-20

2,00	Cat. No.	Symbol		Jm	Weight [kg/pc.]	Dim. A [mm]	Dim. B [mm]	Dim. C [mm]
	787138	LZWK 100B100-20	1	pcs.	2,90	104	100	261
787139	LZWK 120B100-20	1	pcs.	3,16	124	100	261	
787140	LZWK 150B100-20	1	pcs.	3,57	154	100	261	
787141	LZWK 200B100-20	1	pcs.	4,24	204	100	261	
787142	LZWK 250B100-20	1	pcs.	4,91	254	100	261	
787143	LZWK 300B100-20	1	pcs.	5,58	304	100	261	
787144	LZWK 400B100-20	1	pcs.	6,92	404	100	261	
787145	LZWK 500B100-20	1	pcs.	8,26	504	100	261	
787146	LZWK 600B100-20	1	pcs.	9,60	604	100	261	

VERTICAL BEND 45°



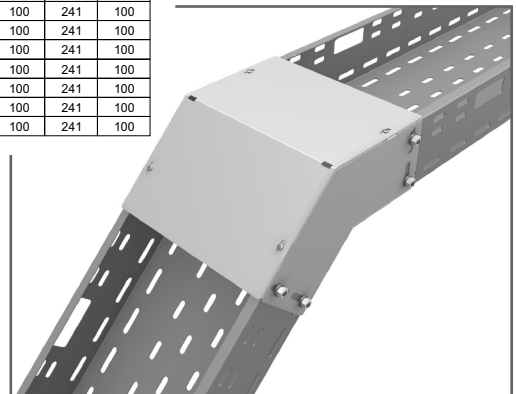
Application:
Vertical change of direction of cable routes.

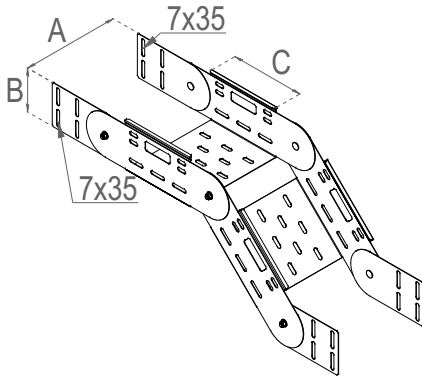
Material:
Steel galvanized by Sendzimir method (EN 10327)
On request: hot deep galvanized steel (EN ISO 1461),
stainless steel (AISI 304 or AISI 316), aluminum,
powder coating on each of RAL colours.

LZWK45 . . .B100-10									
1,00	Cat. No.	Symbol		Jm	Weight [kg/pc.]	Dim. A [mm]	Dim. B [mm]	Dim. C [mm]	Dim. D [mm]
	788450	LZWK45 100B100-10	1	pcs.	0,87	103	103	241	100
	788451	LZWK45 120B100-10	1	pcs.	0,95	123	103	241	100
	788452	LZWK45 150B100-10	1	pcs.	1,06	153	103	241	100
	788453	LZWK45 200B100-10	1	pcs.	1,26	203	103	241	100
	788454	LZWK45 250B100-10	1	pcs.	1,45	253	103	241	100
	788455	LZWK45 300B100-10	1	pcs.	1,64	303	103	241	100
	788456	LZWK45 400B100-10	1	pcs.	2,03	403	103	241	100
	788457	LZWK45 500B100-10	1	pcs.	2,41	503	103	241	100
	788458	LZWK45 600B100-10	1	pcs.	2,80	603	103	241	100

LZWK45 . . .B100-15									
1,50	Cat. No.	Symbol		Jm	Weight [kg/pc.]	Dim. A [mm]	Dim. B [mm]	Dim. C [mm]	Dim. D [mm]
	788498	LZWK45 100B100-15	1	pcs.	1,31	100	100	241	100
	788499	LZWK45 120B100-15	1	pcs.	1,42	120	100	241	100
	788500	LZWK45 150B100-15	1	pcs.	1,60	150	100	241	100
	788501	LZWK45 200B100-15	1	pcs.	1,89	200	100	241	100
	788502	LZWK45 250B100-15	1	pcs.	2,17	250	100	241	100
	788503	LZWK45 300B100-15	1	pcs.	2,46	300	100	241	100
	788504	LZWK45 400B100-15	1	pcs.	3,04	400	100	241	100
	788505	LZWK45 500B100-15	1	pcs.	3,62	500	100	241	100
	788506	LZWK45 600B100-15	1	pcs.	4,20	600	100	241	100

LZWK45 . . .B100-20									
2,00	Cat. No.	Symbol		Jm	Weight [kg/pc.]	Dim. A [mm]	Dim. B [mm]	Dim. C [mm]	Dim. D [mm]
	788546	LZWK45 100B100-20	1	pcs.	1,74	100	100	241	100
	788547	LZWK45 120B100-20	1	pcs.	1,90	120	100	241	100
	788548	LZWK45 150B100-20	1	pcs.	2,13	150	100	241	100
	788549	LZWK45 200B100-20	1	pcs.	2,51	200	100	241	100
	788550	LZWK45 250B100-20	1	pcs.	2,90	250	100	241	100
	788551	LZWK45 300B100-20	1	pcs.	3,29	300	100	241	100
	788552	LZWK45 400B100-20	1	pcs.	4,06	400	100	241	100
	788553	LZWK45 500B100-20	1	pcs.	4,83	500	100	241	100
	788554	LZWK45 600B100-20	1	pcs.	5,60	600	100	241	100

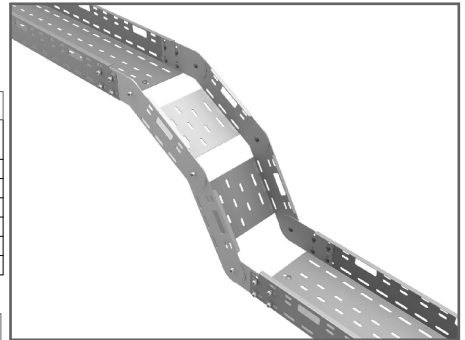




Application:
Vertical change of direction of cable routes.

Fitting elements:
Cover PK

Material:
Steel galvanized by Sendzimir method (EN 10327)
On request: hot deep galvanized steel (EN ISO 1461),
stainless steel (AISI 304 or AISI 316), aluminum,
powder coating on each of RAL colours.



LUP...B100-075

0,75	Cat. No.	Symbol		Jm	Weight	Dim.	Dim.	Dim.
					[kg/pc.]	A [mm]	B [mm]	C [mm]
	788835	LUP 100B100-075	1	pcs.	1,17	100	100	150
	788836	LUP 120B100-075	1	pcs.	1,20	120	100	150
	788837	LUP 150B100-075	1	pcs.	1,25	150	100	150
	788838	LUP 200B100-075	1	pcs.	1,33	200	100	150
	788839	LUP 250B100-075	1	pcs.	1,41	250	100	150
	788840	LUP 300B100-075	1	pcs.	1,49	300	100	150

LUP...B100-10

1,00	Cat. No.	Symbol		Jm	Weight	Dim.	Dim.	Dim.
					[kg/pc.]	A [mm]	B [mm]	C [mm]
	788882	LUP 100B100-10	1	pcs.	1,56	100	100	150
	788883	LUP 120B100-10	1	pcs.	1,60	120	100	150
	788884	LUP 150B100-10	1	pcs.	1,66	150	100	150
	788885	LUP 200B100-10	1	pcs.	1,77	200	100	150
	788886	LUP 250B100-10	1	pcs.	1,88	250	100	150
	788887	LUP 300B100-10	1	pcs.	1,99	300	100	150
	788888	LUP 400B100-10	1	pcs.	2,20	400	100	150
	788889	LUP 500B100-10	1	pcs.	2,42	500	100	150
	788890	LUP 600B100-10	1	pcs.	2,64	600	100	150

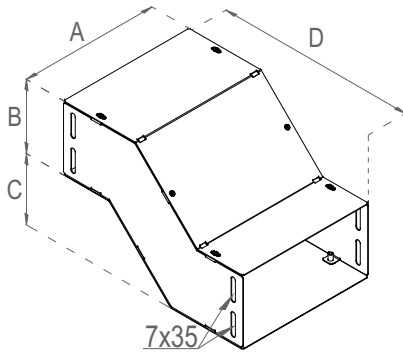
LUP...B100-15

1,50	Cat. No.	Symbol		Jm	Weight	Dim.	Dim.	Dim.
					[kg/pc.]	A [mm]	B [mm]	C [mm]
	788930	LUP 100B100-15	1	pcs.	2,33	100	100	150
	788931	LUP 120B100-15	1	pcs.	2,40	120	100	150
	788932	LUP 150B100-15	1	pcs.	2,49	150	100	150
	788933	LUP 200B100-15	1	pcs.	2,66	200	100	150
	788934	LUP 250B100-15	1	pcs.	2,82	250	100	150
	788935	LUP 300B100-15	1	pcs.	2,98	300	100	150
	788936	LUP 400B100-15	1	pcs.	3,30	400	100	150
	788937	LUP 500B100-15	1	pcs.	3,63	500	100	150
	788938	LUP 600B100-15	1	pcs.	3,95	600	100	150

LUP...B100-20

2,00	Cat. No.	Symbol		Jm	Weight	Dim.	Dim.	Dim.
					[kg/pc.]	A [mm]	B [mm]	C [mm]
	788978	LUP 100B100-20	1	pcs.	3,11	100	100	150
	788979	LUP 120B100-20	1	pcs.	3,20	120	100	150
	788980	LUP 150B100-20	1	pcs.	3,33	150	100	150
	788981	LUP 200B100-20	1	pcs.	3,54	200	100	150
	788982	LUP 250B100-20	1	pcs.	3,76	250	100	150
	788983	LUP 300B100-20	1	pcs.	3,97	300	100	150
	788984	LUP 400B100-20	1	pcs.	4,41	400	100	150
	788985	LUP 500B100-20	1	pcs.	4,84	500	100	150
	788986	LUP 600B100-20	1	pcs.	5,27	600	100	150

VERTICAL BY-PASS



Application:
Vertical change of direction of cable routes.

Material:
Steel galvanized by Sendzimir method (EN 10327)
On request: hot deep galvanized steel (EN ISO 1461),
stainless steel (AISI 304 or AISI 316), aluminum,
powder coating on each of RAL colours.

OBV...B100-10

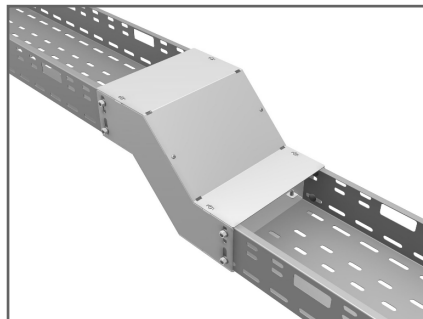
Cat. No.	Symbol	Jm	Weight [kg/pc.]	Dim. A [mm]	Dim. B [mm]	Dim. C [mm]	Dim. D [mm]
789362	OBV 100B100-10	1	0,84	103	103	100	300
789363	OBV 120B100-10	1	0,90	123	103	100	300
789364	OBV 150B100-10	1	0,98	153	103	100	300
789365	OBV 200B100-10	1	1,12	203	103	100	300
789366	OBV 250B100-10	1	1,26	253	103	100	300
789367	OBV 300B100-10	1	1,40	303	103	100	300
789368	OBV 400B100-10	1	1,68	403	103	100	300
789369	OBV 500B100-10	1	1,96	503	103	100	300
789370	OBV 600B100-10	1	2,24	603	103	100	300

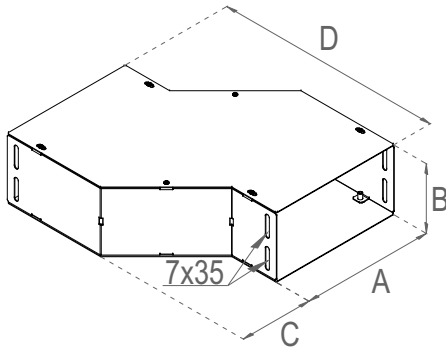
OBV...B100-15

Cat. No.	Symbol	Jm	Weight [kg/pc.]	Dim. A [mm]	Dim. B [mm]	Dim. C [mm]	Dim. D [mm]
789410	OBV 100B100-15	1	1,26	100	100	100	290
789411	OBV 120B100-15	1	1,34	120	100	100	290
789412	OBV 150B100-15	1	1,47	150	100	100	290
789413	OBV 200B100-15	1	1,68	200	100	100	290
789414	OBV 250B100-15	1	1,89	250	100	100	290
789415	OBV 300B100-15	1	2,10	300	100	100	290
789416	OBV 400B100-15	1	2,52	400	100	100	290
789417	OBV 500B100-15	1	2,94	500	100	100	290
789418	OBV 600B100-15	1	3,36	600	100	100	290

OBV...B100-20

Cat. No.	Symbol	Jm	Weight [kg/pc.]	Dim. A [mm]	Dim. B [mm]	Dim. C [mm]	Dim. D [mm]
789458	OBV 100B100-20	1	1,68	100	100	100	290
789459	OBV 120B100-20	1	1,79	120	100	100	290
789460	OBV 150B100-20	1	1,96	150	100	100	290
789461	OBV 200B100-20	1	2,24	200	100	100	290
789462	OBV 250B100-20	1	2,52	250	100	100	290
789463	OBV 300B100-20	1	2,80	300	100	100	290
789464	OBV 400B100-20	1	3,36	400	100	100	290
789465	OBV 500B100-20	1	3,92	500	100	100	290
789466	OBV 600B100-20	1	4,48	600	100	100	290





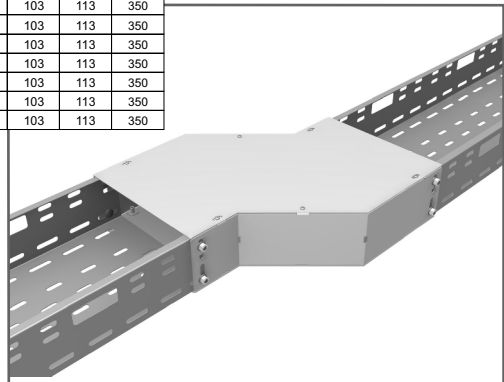
Application:
Horizontal change of direction of cable routes.

Material:
Steel galvanized by Sendzimir method (EN 10327)
On request: hot deep galvanized steel (EN ISO 1461),
stainless steel (AISI 304 or AISI 316), aluminum,
powder coating on each of RAL colours.

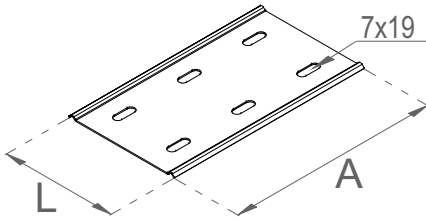
OBH ...B100-10									
1,00	Cat. No.	Symbol		Jm	Weight [kg/pc.]	Dim. A [mm]	Dim. B [mm]	Dim. C [mm]	Dim. D [mm]
	788701	OBH 100B100-10	1	pcs.	1,22	103	103	113	350
	788702	OBH 120B100-10	1	pcs.	1,34	123	103	113	350
	788703	OBH 150B100-10	1	pcs.	1,52	153	103	113	350
	788704	OBH 200B100-10	1	pcs.	1,82	203	103	113	350
	788705	OBH 250B100-10	1	pcs.	2,13	253	103	113	350
	788706	OBH 300B100-10	1	pcs.	2,43	303	103	113	350
	788707	OBH 400B100-10	1	pcs.	3,04	403	103	113	350
	788708	OBH 500B100-10	1	pcs.	3,65	503	103	113	350
	788709	OBH 600B100-10	1	pcs.	4,26	603	103	113	350

OBH ...B100-15									
1,50	Cat. No.	Symbol		Jm	Weight [kg/pc.]	Dim. A [mm]	Dim. B [mm]	Dim. C [mm]	Dim. D [mm]
	788749	OBH 100B100-15	1	pcs.	1,82	103	103	113	350
	788750	OBH 120B100-15	1	pcs.	2,01	123	103	113	350
	788751	OBH 150B100-15	1	pcs.	2,28	153	103	113	350
	788752	OBH 200B100-15	1	pcs.	2,74	203	103	113	350
	788753	OBH 250B100-15	1	pcs.	3,19	253	103	113	350
	788754	OBH 300B100-15	1	pcs.	3,65	303	103	113	350
	788755	OBH 400B100-15	1	pcs.	4,56	403	103	113	350
	788756	OBH 500B100-15	1	pcs.	5,47	503	103	113	350
	788757	OBH 600B100-15	1	pcs.	6,38	603	103	113	350

OBH ...B100-20									
2,00	Cat. No.	Symbol		Jm	Weight [kg/pc.]	Dim. A [mm]	Dim. B [mm]	Dim. C [mm]	Dim. D [mm]
	788797	OBH 100B100-20	1	pcs.	2,43	103	103	113	350
	788798	OBH 120B100-20	1	pcs.	2,68	123	103	113	350
	788799	OBH 150B100-20	1	pcs.	3,04	153	103	113	350
	788800	OBH 200B100-20	1	pcs.	3,65	203	103	113	350
	788801	OBH 250B100-20	1	pcs.	4,26	253	103	113	350
	788802	OBH 300B100-20	1	pcs.	4,86	303	103	113	350
	788803	OBH 400B100-20	1	pcs.	6,08	403	103	113	350
	788804	OBH 500B100-20	1	pcs.	7,30	503	103	113	350
	788805	OBH 600B100-20	1	pcs.	8,51	603	103	113	350



CONNECTING PLATE

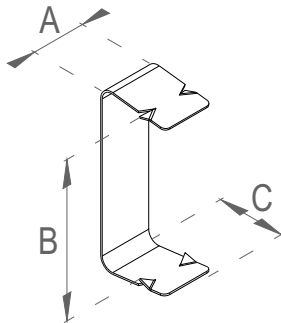
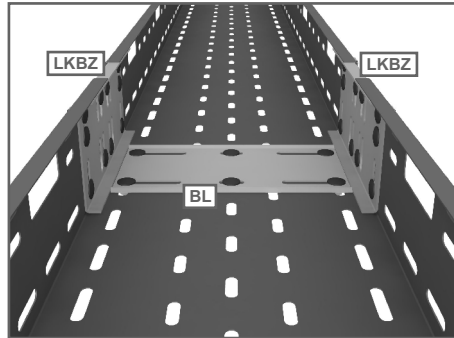


Application:
Additional reinforcement of connection.
Suitable for trays: KP, KB.

Material:
Steel galvanized by Sendzimir method (EN 10327)
On request: hot deep galvanized steel (EN ISO 1461),
stainless steel (AISI 304 or AISI 316), aluminum,
powder coating on each of RAL colours.

BL ...							
Cat. No.	Symbol		Jm	Weight [kg/pc.]	Dim. A [mm]	Dim. L [mm]	
789930	BL-100	50	pc.	0,06	75	100	
789931	BL-120	50	pc.	0,07	95	100	
789932	BL-150	50	pc.	0,10	125	100	
789933	BL-200	50	pc.	0,13	175	100	
789934	BL-250	50	pc.	0,17	225	100	
789935	BL-300	50	pc.	0,21	275	100	
789936	BL-400	50	pc.	0,29	375	100	
789937	BL-500	50	pc.	0,37	475	100	
789938	BL-600	50	pc.	0,45	575	100	

Application:

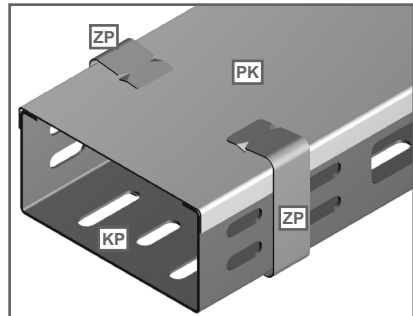


CLIPPER

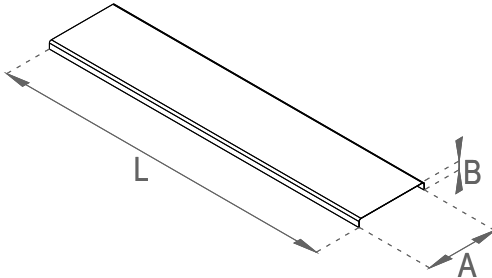
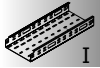
Application:
Fixing cable tray cover.
Suitable for trays: KP, KB.

Material:
Hardened, galvanized, elastic steel,
On request: stainless steel (AISI 304 or AISI 316)

Application:





ZP ...							
Cat. No.	Symbol		Jm	Weight [kg/m]	Dim. A [mm]	Dim. B [mm]	Dim. C [mm]
790602	ZP B42	200	mb	0,10	20	43	27
790603	ZP B50	200	mb	0,11	20	51	27
790604	ZP B60	200	mb	0,12	20	61	27
790605	ZP B80	150	mb	0,14	20	81	27
790606	ZP B100	100	mb	0,16	20	101	27




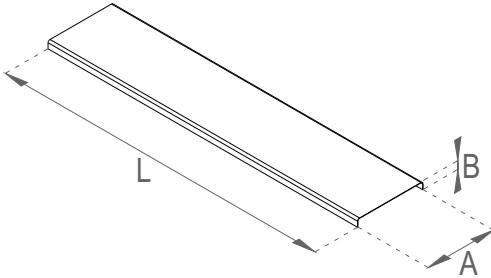
Application:
Protection of cables against damage.
Suitable for trays: KP, KB.

Material:
Steel galvanized by Sendzimir method (EN 10327)
On request: hot deep galvanized steel (EN ISO 1461),
stainless steel (AISI 304 or AISI 316), aluminum,
powder coating on each of RAL colours.

PK...-055								
0,55	Cat. No.	Symbol		Jm	Weight [kg/m]	Dim. A [mm]	Dim. B [mm]	Dim. L [mm]
	786478	PK 30-055	60	mb	0,21	30	10	2000
	786479	PK 50-055	40	mb	0,30	50	10	2000
	786480	PK 80-055	20	mb	0,43	80	10	2000
	786481	PK 100-055	20	mb	0,52	100	10	2000
	786482	PK 120-055	20	mb	0,61	120	10	2000
	786483	PK 150-055	20	mb	0,74	150	10	2000
	786484	PK 200-055	20	mb	0,96	200	10	2000
	786485	PK 250-055	20	mb	1,18	250	10	2000
	786486	PK 300-055	20	mb	1,40	300	10	2000

PK...-075								
0,75	Cat. No.	Symbol		Jm	Weight [kg/m]	Dim. A [mm]	Dim. B [mm]	Dim. L [mm]
	784151	PK 50-075	3	mb	0,40	50	10	3000
	784152	PK 80-075	3	mb	0,58	80	10	3000
	784153	PK 100-075	3	mb	0,70	100	10	3000
	784154	PK 120-075	3	mb	0,82	120	10	3000
	784155	PK 150-075	3	mb	1,00	150	10	3000
	784156	PK 200-075	3	mb	1,30	200	10	3000
	784157	PK 250-075	3	mb	1,60	250	10	3000
	784158	PK 300-075	3	mb	1,90	300	10	3000
	784159	PK 400-075	3	mb	2,50	400	10	3000
	784160	PK 500-075	3	mb	3,10	500	10	3000
	784161	PK 600-075	3	mb	3,70	600	10	3000


PK...-10								
1,00	Cat. No.	Symbol		Jm	Weight [kg/m]	Dim. A [mm]	Dim. B [mm]	Dim. L [mm]
	784163	PK 50-10	3	mb	0,53	50	10	3000
	784164	PK 80-10	3	mb	0,77	80	10	3000
	784165	PK 100-10	3	mb	0,93	100	10	3000
	784166	PK 120-10	3	mb	1,09	120	10	3000
	784167	PK 150-10	3	mb	1,33	150	10	3000
	784168	PK 200-10	3	mb	1,73	200	10	3000
	784169	PK 250-10	3	mb	2,13	250	10	3000
	784170	PK 300-10	3	mb	2,53	300	10	3000
	784171	PK 400-10	3	mb	3,33	400	10	3000
	784172	PK 500-10	3	mb	4,13	500	10	3000
	784173	PK 600-10	3	mb	4,93	600	10	3000



Application:
Protection of cables against damage.
Suitable for trays: KP, KB.


Material:
Steel galvanized by Sendzimir method (EN 10327)
On request: hot deep galvanized steel (EN ISO 1461),
stainless steel (AISI 304 or AISI 316), aluminum,
powder coating on each of RAL colours.

PK...-12

Cat. No.	Symbol		Jm	Weight [kg/m]	Dim. A [mm]	Dim. B [mm]	Dim. L [mm]
789788	PK 50-12	3	mb	0,63	50	10	3000
789789	PK 80-12	3	mb	0,91	80	10	3000
789790	PK 100-12	3	mb	1,11	100	10	3000
789791	PK 120-12	3	mb	1,30	120	10	3000
789792	PK 150-12	3	mb	1,59	150	10	3000
789793	PK 200-12	3	mb	2,07	200	10	3000
789794	PK 250-12	3	mb	2,55	250	10	3000
789795	PK 300-12	3	mb	3,03	300	10	3000
789796	PK 400-12	3	mb	3,99	400	10	3000
789797	PK 500-12	3	mb	4,95	500	10	3000
789798	PK 600-12	3	mb	5,91	600	10	3000


1.20

PK...-20

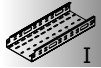
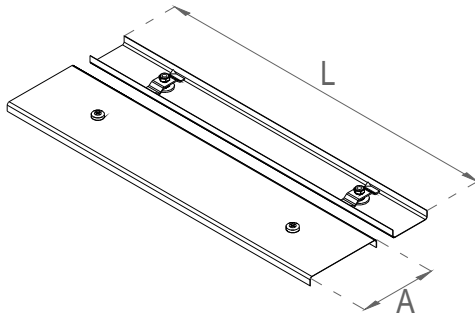
Cat. No.	Symbol		Jm	Weight [kg/m]	Dim. A [mm]	Dim. B [mm]	Dim. L [mm]
786725	PK 50-20	3	mb	0,99	50	10	3000
786726	PK 80-20	3	mb	1,47	80	10	3000
786727	PK 100-20	3	mb	1,79	100	10	3000
786728	PK 120-20	3	mb	2,11	120	10	3000
786729	PK 150-20	3	mb	2,59	150	10	3000
786730	PK 200-20	3	mb	3,39	200	10	3000
786731	PK 250-20	3	mb	4,19	250	10	3000
786732	PK 300-20	3	mb	4,99	300	10	3000
786733	PK 400-20	3	mb	6,59	400	10	3000
786734	PK 500-20	3	mb	8,19	500	10	3000
786735	PK 600-20	3	mb	9,79	600	10	3000

2.00

PK...-15

Cat. No.	Symbol		Jm	Weight [kg/m]	Dim. A [mm]	Dim. B [mm]	Dim. L [mm]
784174	PK 50-15	3	mb	0,77	50	10	3000
784175	PK 80-15	3	mb	1,13	80	10	3000
784176	PK 100-15	3	mb	1,37	100	10	3000
784177	PK 120-15	3	mb	1,61	120	10	3000
784178	PK 150-15	3	mb	1,97	150	10	3000
784179	PK 200-15	3	mb	2,57	200	10	3000
784180	PK 250-15	3	mb	3,17	250	10	3000
784181	PK 300-15	3	mb	3,77	300	10	3000
784182	PK 400-15	3	mb	4,97	400	10	3000
784183	PK 500-15	3	mb	6,17	500	10	3000
784184	PK 600-15	3	mb	7,37	600	10	3000

1.50



Application:
Protection of cables against damage.
Suitable for trays: KP, KB.

Material:
Steel galvanized by Sendzimir method (EN 10327)
On request: hot deep galvanized steel (EN ISO 1461),
stainless steel (AISI 304 or AISI 316), aluminum,
powder coating on each of RAL colours.

PKZM ...-055								
0,55	Cat. No.	Symbol		Jm	Weight [kg/m]	Dim. A [mm]	Dim. B [mm]	Dim. L [mm]
	788555	PKZM 30-055	3	mb	0,21	30	10	2000
	788556	PKZM 50-055	4	mb	0,30	50	10	2000
	788557	PKZM 80-055	20	mb	0,43	80	10	2000
	788558	PKZM 100-055	20	mb	0,52	100	10	2000
	788559	PKZM 120-055	20	mb	0,61	120	10	2000
	788560	PKZM 150-055	20	mb	0,74	150	10	2000
	788561	PKZM 200-055	20	mb	0,96	200	10	2000
	788562	PKZM 250-055	20	mb	1,18	250	10	2000
	788563	PKZM 300-055	20	mb	1,40	300	10	2000

PKZM ...-075								
0,75	Cat. No.	Symbol		Jm	Weight [kg/m]	Dim. A [mm]	Dim. B [mm]	Dim. L [mm]
	788564	PKZM 50-075	3	mb	0,40	50	10	3000
	788565	PKZM 80-075	3	mb	0,58	80	10	3000
	788566	PKZM 100-075	3	mb	0,70	100	10	3000
	788567	PKZM 120-075	3	mb	0,82	120	10	3000
	788568	PKZM 150-075	3	mb	1,00	150	10	3000
	788569	PKZM 200-075	3	mb	1,30	200	10	3000
	788570	PKZM 250-075	3	mb	1,60	250	10	3000
	788571	PKZM 300-075	3	mb	1,90	300	10	3000
	788572	PKZM 400-075	3	mb	2,50	400	10	3000
	788573	PKZM 500-075	3	mb	3,10	500	10	3000
	788574	PKZM 600-075	3	mb	3,70	600	10	3000

PKZM ...-10								
1,00	Cat. No.	Symbol		Jm	Weight [kg/m]	Dim. A [mm]	Dim. B [mm]	Dim. L [mm]
	788575	PKZM 50-10	3	mb	0,53	50	10	3000
	788576	PKZM 80-10	3	mb	0,77	80	10	3000
	788577	PKZM 100-10	3	mb	0,93	100	10	3000
	788578	PKZM 120-10	3	mb	1,09	120	10	3000
	788579	PKZM 150-10	3	mb	1,33	150	10	3000
	788580	PKZM 200-10	3	mb	1,73	200	10	3000
	788581	PKZM 250-10	3	mb	2,13	250	10	3000
	788582	PKZM 300-10	3	mb	2,53	300	10	3000
	788583	PKZM 400-10	3	mb	3,33	400	10	3000
	788584	PKZM 500-10	3	mb	4,13	500	10	3000
	788585	PKZM 600-10	3	mb	4,93	600	10	3000